

Indoor LED Display Accent Series

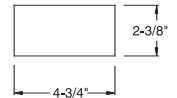
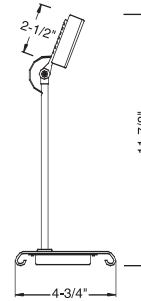
Adjustables designed for mounting on countertops and tables



- Watts consumed: 2-3W
- Material: aluminum with anodized surface
- Lifespan: 50,000 hours
- Wiring: 24AWG – cut-out 1/4"Ø
- IP40 Class II type wiring 12V

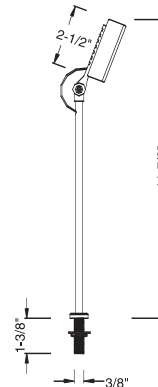
ID-DAL7020-30 ○
40 ○
50 ○

3 White 1W LED
 Operating current: 350mA
 Beam spread angle: 30.5°
 Luminous flux: 135 Lm
 Wiring: 24 AWG with DC plug
 Clear tempered glass lens



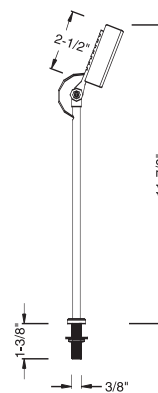
ID-DAL7030-30 ○
40 ○
50 ○

3 White 1W LED
 Operating current: 350mA
 Beam spread angle: 30.5°
 Luminous flux: 135 Lm
 Wiring: 24 AWG with DC plug
 Clear tempered glass lens



ID-DAL7040-30 ○
40 ○
50 ○

2 White 1W LED
 Operating current: 350mA
 Beam spread angle: 30.5°
 Luminous flux: 90 Lm
 Wiring: 24 AWG with DC plug
 Clear tempered glass lens



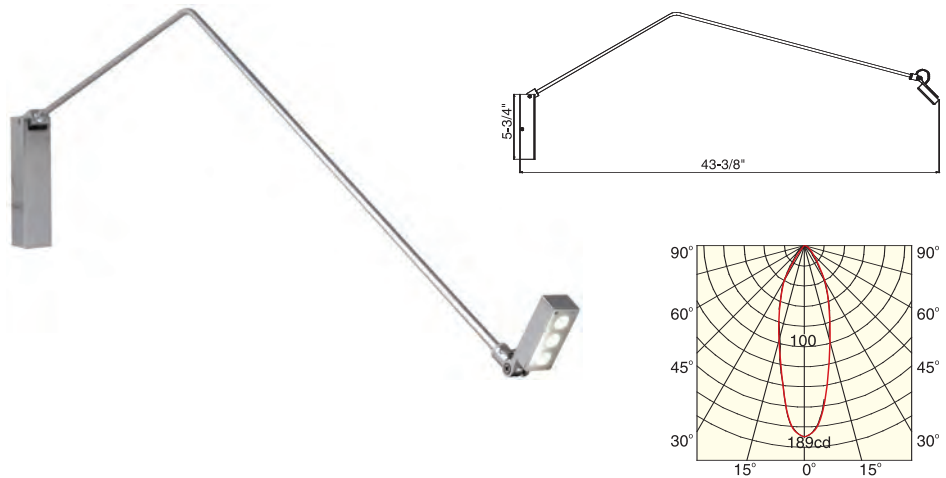


Applications

- Retail counters and shelves
- Residential bookshelves and bedside
- Offices
- Hotels

ID-DAL7010-30 ○
40 ○
50 ○

3 White 1W LED
Operating current: 350mA
Beam spread angle: 30.5°
Luminous flux: 135 Lm
Wiring: 24 AWG with DC plug
Clear tempered glass lens
Canopy: 5-3/4" x 2" x 2"

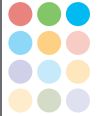


- 30: Warm white 3000K range
- 40: Standard white 4000K range
- 50: Cool white 5000K range

Use with **TRANS-CC** type transformers,
comes with 15' plug-in cable, use with
ACC plug-in adapters.

Indoor LED Surface Mounted Series

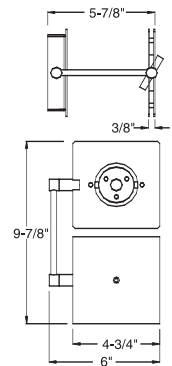
Adjustables for ceiling or wall mount with general and spot distributions.



- Voltage input: 100~240VAC
- Watts consumed: 3, 9, 12 or 28W
- Material: anodized aluminum
- Lifespan: 50,000 hours
- IP40 Class II type wiring 12V

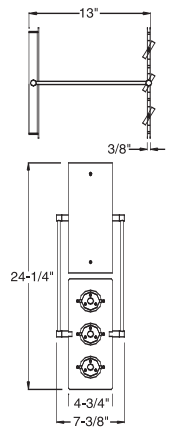
ID-SMA-8210-30 ○
40 ○
50 ○

3 White 1W LED
 Beam spread angle: 37°
 Luminous flux: 135 Lm
 Wiring: 24 AWG
 Transformer: Included, pre-wired,
 integrated in canopy



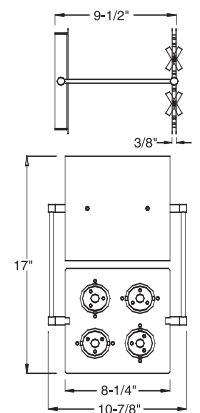
ID-SMA-8230-30 ○
40 ○
50 ○

9 White 1W LED
 Beam spread angle: 37°
 Luminous flux: 400 Lm
 Wiring: 24 AWG
 Transformer: Included, pre-wired,
 integrated in canopy



ID-SMA-8240-30 ○
40 ○
50 ○

12 White 1W LED
 Beam spread angle: 37°
 Luminous flux: 540 Lm
 Wiring: 24 AWG
 Transformer: Included, pre-wired,
 integrated in canopy



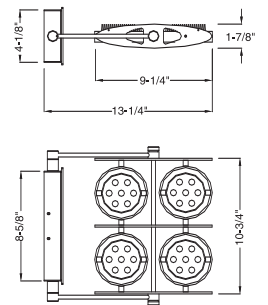


Applications

- Restaurants
- Stores
- Hotels
- Offices
- Residential

ID-SMA-8440-30 ○
40 ○
50 ○

28 White 1W LED
Beam spread angle: 37°
Luminous flux: 1260 Lm
Wiring: 24 AWG
Transformer: Included, pre-wired,
integrated in canopy



- 30: Warm white 3000K range
- 40: Standard white 4000K range
- 50: Cool white 5000K range

24AWG lead wire for direct wiring by contractor. These are made to order items. Please consult factory. Special variations available.

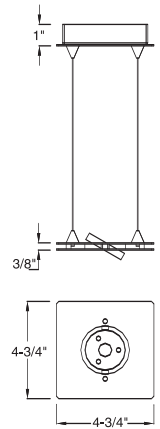
LED Ceiling Pendant Mount Series



- Voltage input: 100~240VAC
- Watts consumed: 3, 9, 12, 28 or 42W
- Material: anodized aluminum
- Lifespan: 50,000 hours
- IP40 Class II type wiring 12V

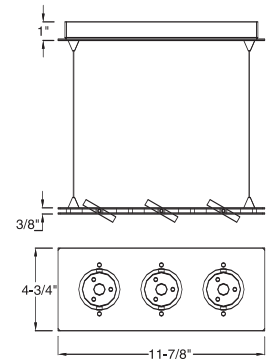
ID-CPM-8335-30 ○
40 ○
50 ○

3 White 1W LED
 Beam spread angle: 37°
 Luminous flux: 135 Lm
 Wiring: 24 AWG
 Transformer: Included, pre-wired,
 integrated in canopy



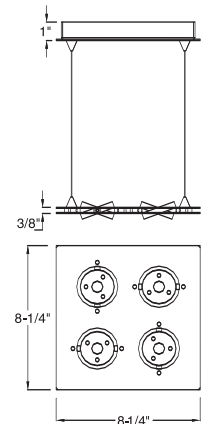
ID-CPM-8355-30 ○
40 ○
50 ○

9 White 1W LED
 Beam spread angle: 37°
 Luminous flux: 400 Lm
 Wiring: 24 AWG
 Transformer: Included, pre-wired,
 integrated in canopy



ID-CPM-8375-30 ○
40 ○
50 ○

12 White 1W LED
 Beam spread angle: 37°
 Luminous flux: 540 Lm
 Wiring: 24 AWG
 Transformer: Included, pre-wired,
 integrated in canopy



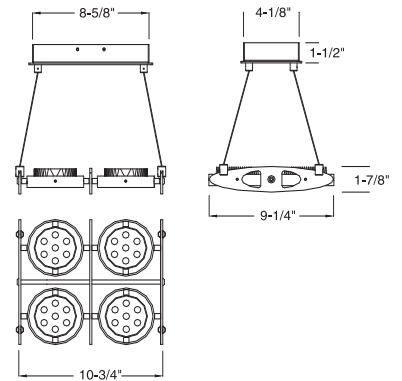


Applications

- Restaurants
- Stores
- Hotels
- Offices
- Residential

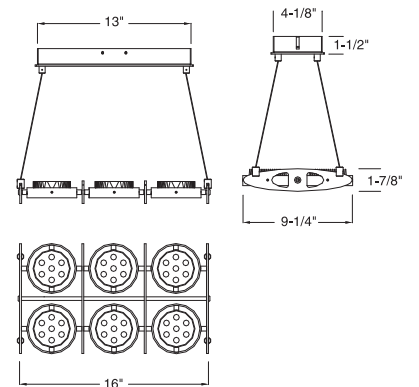
ID-CPM-8515-30 ○
40 ○
50 ○

28 White 1W LED
 Beam spread angle: 37°
 Luminous flux: 1260 Lm
 Wiring: 24 AWG
 Transformer: Included, pre-wired,
 integrated in canopy



ID-CPM-8525-30 ○
40 ○
50 ○

42 White 1W LED
 Beam spread angle: 37°
 Luminous flux: 1890 Lm
 Wiring: 24 AWG
 Transformer: Included, pre-wired,
 integrated in canopy



- 30: Warm white 3000K range
- 40: Standard white 4000K range
- 50: Cool white 5000K range

24AWG lead wire for direct wiring by contractor. These are made to order items. Please consult factory. Special variations available.



JESCO

LIGHTING GROUP

NEW YORK

66-25 Traffic Avenue
Glendale, NY 11385
Tel. 718.366.3211
Toll Free 800.527.7796
Fax 718.366.3646

LOS ANGELES

1100 Hatcher Avenue, Suite A
City of Industry, CA 91748
Tel. 626.854.8168
Toll Free 866.473.5840
Fax 626.854.8172

Email: info@jescoled.com
www.jescoled.com
www.jescolighting.com

JESCO LIGHTING is a UL and ETL Listed company.
© 2007 JESCO LIGHTING. All rights reserved.

Colormotion, the LED division of
Jesco Lighting Group, is now changing
its brand name to Jesco LED Lighting
Solutions® (J•LED®)