



MLX-1C
MULTI-LINX LED Fixture
Canopy Installation

MLX
MULTI-LINX



INSTALLATION INSTRUCTIONS

Please read and save these instructions. Read carefully before using product. Protect yourself and others by observing all safety information, warnings and cautions. Failure to comply with instructions could result in personal injury and/or damage to product or property. Please retain instruction sheet for future reference.

IMPORTANT SAFETY INSTRUCTIONS

Read completely before beginning. If you feel you do not have adequate electrical wiring experience, have this installed by a qualified licensed electrician.

All electrical connections must be in accordance with local codes, ordinances and the National Electric Code. This product operates on 120V AC; always confirm the maximum wattage of the linear fixture does not exceed the maximum wattage of the circuit it is connected to. If you are unfamiliar with methods of installing electrical wiring, secure the services of a qualified licensed electrician.

1. Read and follow all safety instructions.
2. Read completely before beginning. If you feel you do not have adequate electrical wiring experience, have this installed by a qualified licensed electrician.
3. All electrical connections must be in accordance with local codes, ordinances and the National Electric Code. This product operates on 120V AC; always confirm the maximum wattage of the linear fixture does not exceed the maximum wattage of the circuit it is connected to. If you are unfamiliar with methods of installing electrical wiring, secure the services of a qualified licensed electrician.
4. Do not install the linear fixture if any damage is seen on the product or power cables.
5. Prior to starting the installation, disconnect the power by turning off the circuit breaker or removing the appropriate fuse. (Turning off power using the light switch is not sufficient to prevent electrical shock).



TURN OFF ELECTRICITY

at main fuse box (or circuit breaker box) before beginning installation by switching circuit breaker off or removing fuse.
MIN 90° C SUPPLY CONDUCTORS.



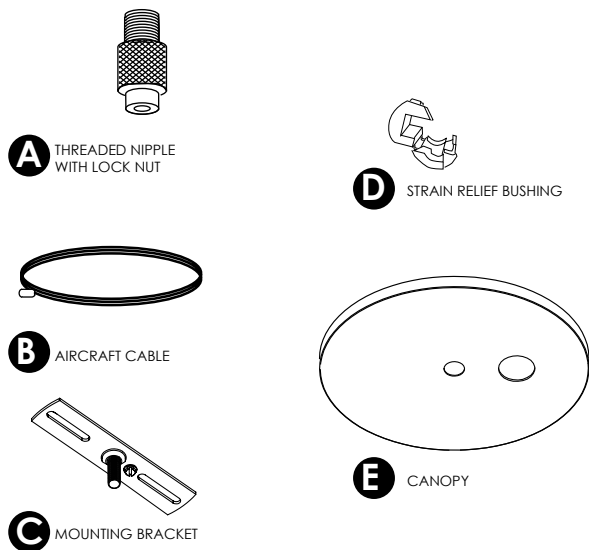
CONSULT A QUALIFIED ELECTRICIAN TO ENSURE CORRECT BRANCH CIRCUIT

RATED 120 VOLT AC

300W MAX
connected run

18.7W per 2 foot fixture (16 units MAX)
37.1W per 4 foot fixture (8 units MAX)
73.4W per 8 foot fixture (4 units MAX)

PARTS INCLUDED



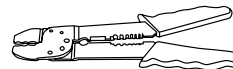
TOOLS & HARDWARE REQUIRED (not included)



PHILLIPS SCREWDRIVER



WIRE NUTS



WIRE STRIPPER



8-32 MOUNTING SCREWS

HW CABLE REQUIRED AND SOLD SEPARATELY

- MLX-HW-05** - 5 foot End Feed Cable for hardwiring
- MLX-HW-10** - 10 foot End Feed Cable for hardwiring
- MLX-HW05-TF** - 5 foot Prewired Top Feed Cable for hardwiring
- MLX-HW10-TF** - 10 foot Prewired Top Feed Cable for hardwiring

JESCO
LIGHTING GROUP

www.jescolighting.com
support@jescolighting.com
Tech Support: 855.592.0029

15 Harbor Park Drive
Port Washington, NY 11050
Main Line: 800.527.7796
Fax Line: 855.265.5768

219 South 6th Ave
City of Industry, CA 91746
Main Line: 855.654.0110
Fax Line: 626.333.2955

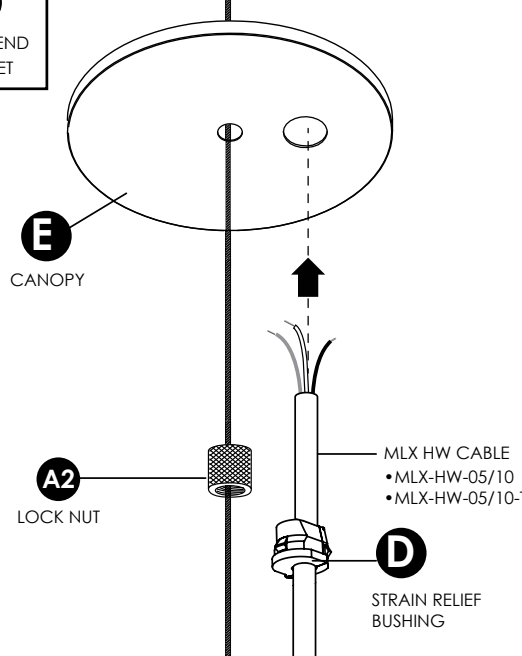
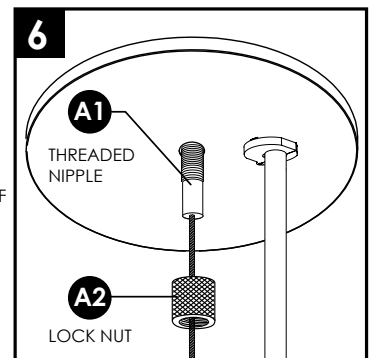
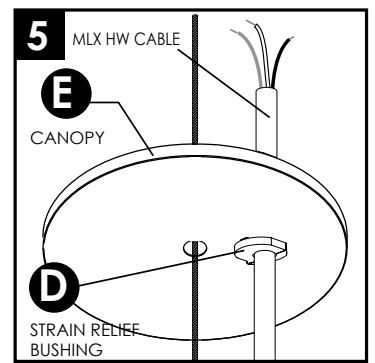
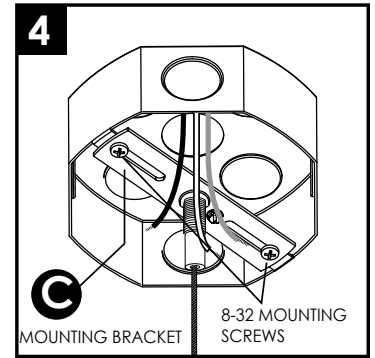
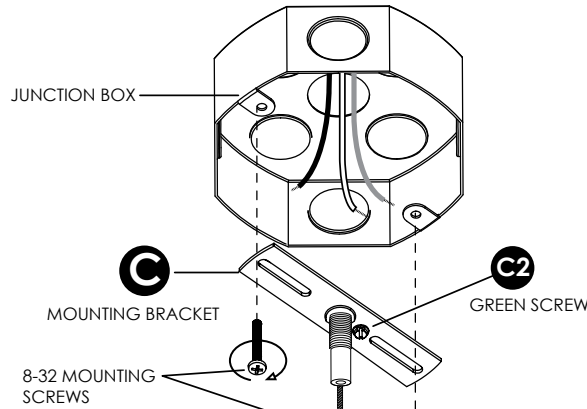
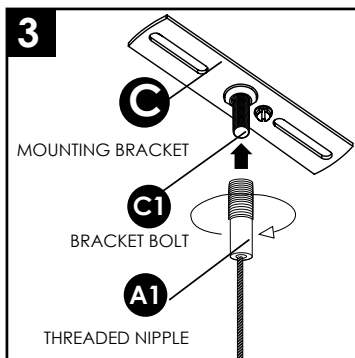
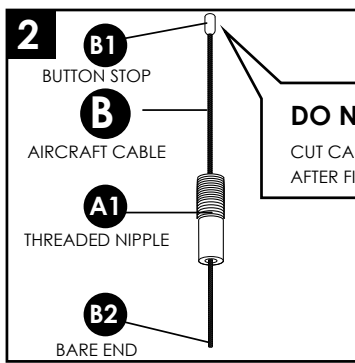
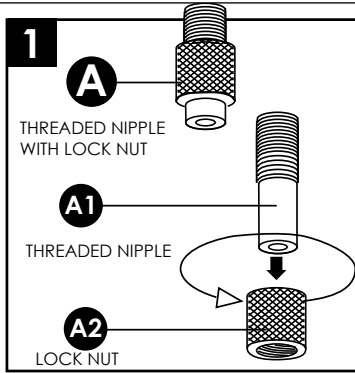
JW 11/01/2017

Instruction sheet subject to change without prior notice.

Page 1 of 2

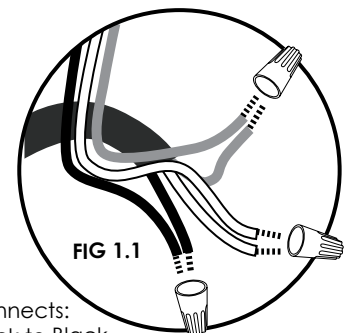


INSTALLATION INSTRUCTIONS



1. Unscrew **A2** lock nut from **A1** threaded nipple and save for later use.
2. Insert **B2** bare end of **B** aircraft cable into **A1** threaded nipple and make sure **B1** button stop sits inside of **A1** threaded nipple.
3. Thread **A1** threaded nipple onto **C1** bracket bolt on **C** mounting bracket.
4. Secure **C** mounting bracket to junction box with two 8-32 mounting screws.
5. Clamp on **D** strain relief bushing to MLX HW CABLE*, then push **D** strain relief bushing into the off-center hole on **E** canopy. Feed **B** aircraft cable into **E** canopy's center hole, connect supply wires and MLX HW CABLE wires as illustrated in **FIG 1.1** and secure all connections with wire nuts. Carefully tuck all connected wires into junction box.
6. Thread **A2** lock nut onto **A1** threaded nipple to secure **E** canopy to junction box.

* Measure and cut cable to length first



Connects:
Black to Black
White to White
Green to Green or Bare Copper