



MLX
MULTI-LINX LED Fixture
 Modular Linkable Linear Fixture

MLX
MULTI-LINX



INSTALLATION INSTRUCTIONS

Please read and save these instructions. Read carefully before using product. Protect yourself and others by observing all safety information, warnings and cautions. Failure to comply with instructions could result in personal injury and/or damage to product or property. Please retain instruction sheet for future reference.

IMPORTANT SAFETY INSTRUCTIONS

Read completely before beginning. If you feel you do not have adequate electrical wiring experience, have this installed by a qualified licensed electrician.

All electrical connections must be in accordance with local codes, ordinances and the National Electric Code. This product operates on 120V AC; always confirm the maximum wattage of the linear fixture does not exceed the maximum wattage of the circuit it is connected to. If you are unfamiliar with methods of installing electrical wiring, secure the services of a qualified licensed electrician.

1. Read and follow all safety instructions.
2. Read completely before beginning. If you feel you do not have adequate electrical wiring experience, have this installed by a qualified licensed electrician.
3. All electrical connections must be in accordance with local codes, ordinances and the National Electric Code. This product operates on 120V AC; always confirm the maximum wattage of the linear fixture does not exceed the maximum wattage of the circuit it is connected to. If you are unfamiliar with methods of installing electrical wiring, secure the services of a qualified licensed electrician.
4. Do not install the linear fixture if any damage is seen on the product or power cables.
5. Prior to starting the installation, disconnect the power by turning off the circuit breaker or removing the appropriate fuse. (Turning off power using the light switch is not sufficient to prevent electrical shock).



TURN OFF ELECTRICITY

at main fuse box (or circuit breaker box) before beginning installation by switching circuit breaker off or removing fuse.

MIN 90° C SUPPLY CONDUCTORS.



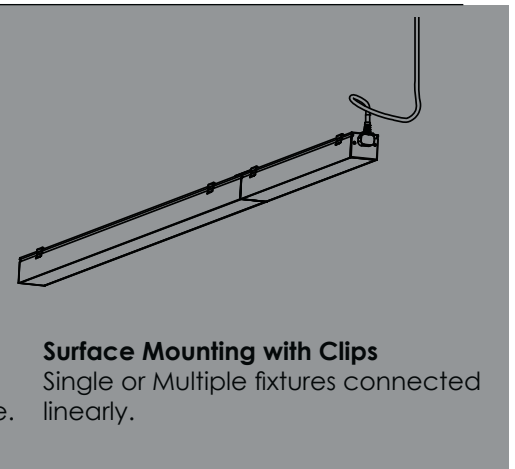
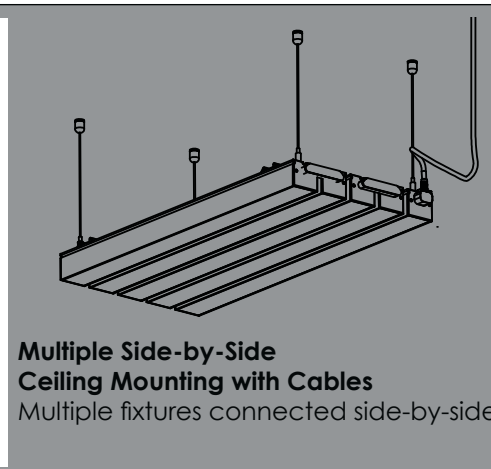
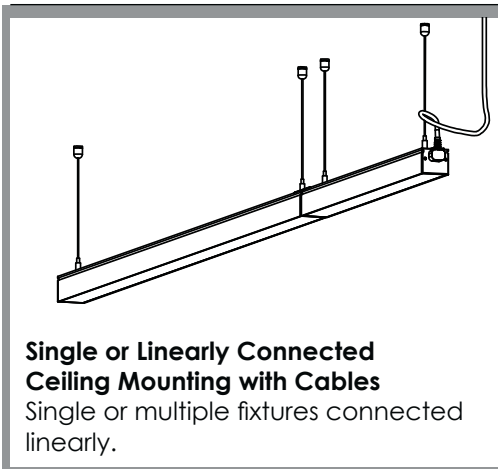
CONSULT A QUALIFIED ELECTRICIAN TO ENSURE CORRECT BRANCH CIRCUIT

RATED 120 VOLT AC

300W MAX
connected run

18.7W per 2 foot fixture (16 units MAX)
 37.1W per 4 foot fixture (8 units MAX)
 73.4W per 8 foot fixture (4 units MAX)

MOUNTING OPTIONS



 **FOR ELECTRICAL CONNECTION, SEE PAGE 4** 

JESCO
 LIGHTING GROUP

www.jescocolighting.com
 support@jescocolighting.com
Tech Support: 855.592.0029

15 Harbor Park Drive
 Port Washington, NY 11050
Main Line: 800.527.7796
Fax Line: 855.265.5768

219 South 6th Ave
 City of Industry, CA 91746
Main Line: 855.654.0110
Fax Line: 626.333.2955

JW 11/01/2017

Instruction sheet subject to change without prior notice.

Page 1 of 4

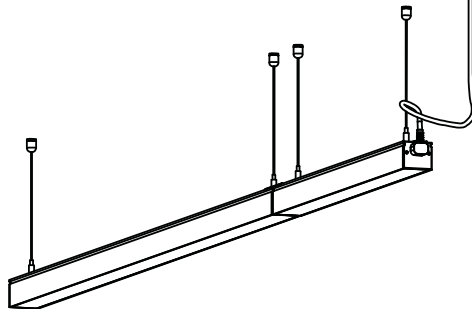


MLX
MULTI-LINX LED Fixture
Modular Linkable Linear Fixture

MLX
MULTI-LINX

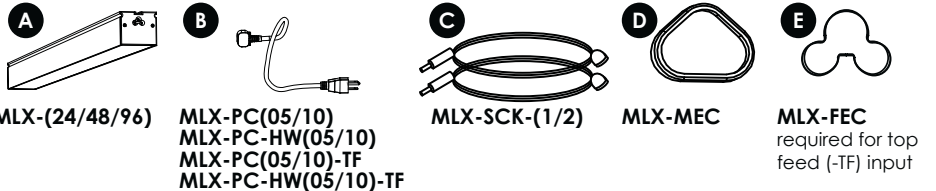


CABLE SUSPENSION (LINEARLY CONNECTED) INSTALLATION INSTRUCTIONS



SUSPENSION WITH CABLES
Single or Multiple fixtures connected linearly.

REQUIRED COMPONENTS FOR SINGLE FIXTURE INSTALLATION



ADDITIONAL COMPONENTS REQUIRED FOR CONNECTING MULTIPLE FIXTURES



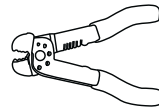
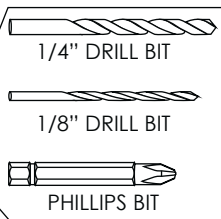
TOOLS REQUIRED



MINI PHILLIPS
SCREWDRIVER



POWER DRILL WITH:

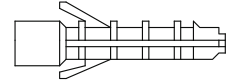


WIRE CUTTER

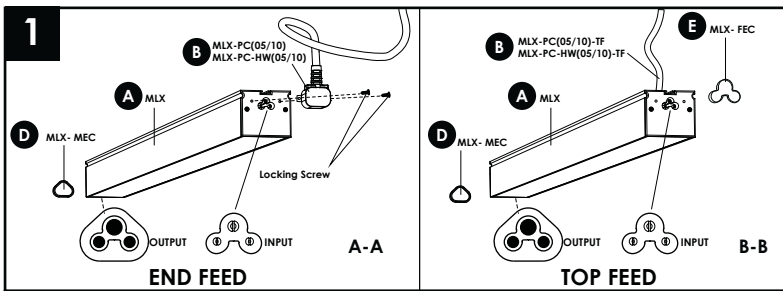
HARDWARE INCLUDED with MLX-SCK



MOUNTING SCREWS



PLASTIC ANCHOR
FOR USE WITH DRYWALL



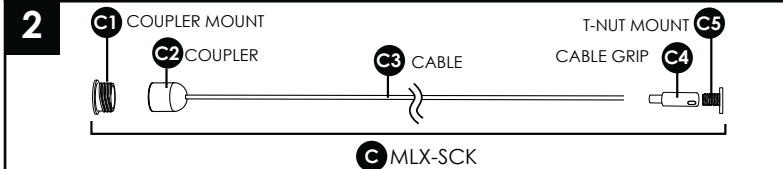
1 A-A Plug in **B** MLX-PC or MLX-PC-HW into **A** MLX fixture's input port and secure power connector to fixture with provided mounting screws with a mini-phillips screwdriver.

1 B-B **B** Top feed cable is pre-wired onto **A** MLX fixture

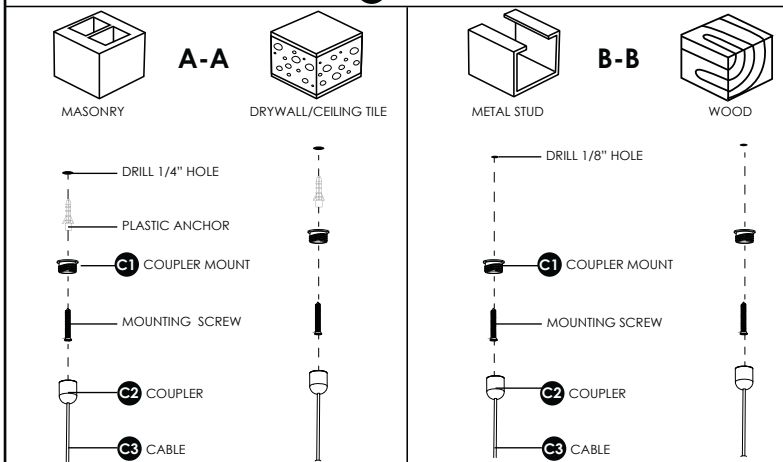
Single Pendant Installation

End feed fixture Insert: **D** MLX-MEC into **A** MLX's output port. Top feed fixture insert: **D** MLX-MEC into **A** MLX's output port and insert **E** MLX-FEC into **A** MLX's input port.

Multiple Fixtures Installation Insert (1) **F** MLX-DC or (1) **H** MLX-CC to the output connection of all connecting fixtures. For the last connecting fixture. Insert **D** MLX-MEC to the output connection.



2 Based on building material of intended mounting surface, determine the best mounting method. Each **A** MLX fixture requires (2) **C** MLX-SCK for installation, recommended distance between each **C** MLX-SCK is determined by **A** MLX fixture's length.



2 A-A Drill a 1/4" hole in mounting surface and make sure the depth is at least 1/4" past the length of the plastic anchor. Insert plastic anchor in drilled hole. Insert mounting screw through **C1** COUPLER MOUNT and screw into plastic anchor. Repeat the process for second **C1** COUPLER MOUNT, then secure **C2** COUPLER with **C3** CABLE to **C1** COUPLER MOUNT by hand.

2 B-B Drill a 1/8" pilot hole and fasten mounting screw and **C1** COUPLER MOUNT on to mounting surface. Repeat the process for second **C1** COUPLER MOUNT.

Recommended MLX-SCK Spacing: MLX-24 18"(46cm) | MLX-48 44"(112cm) | MLX-96 88"(224cm)

Continue on page 3 ---->



www.jescocolighting.com
support@jescocolighting.com
Tech Support: 855.592.0029

15 Harbor Park Drive
Port Washington, NY 11050
Main Line: 800.527.7796
Fax Line: 855.265.5768

219 South 6th Ave
City of Industry, CA 91746
Main Line: 855.654.0110
Fax Line: 626.333.2955

JW 11/01/2017

Instruction sheet subject to change without prior notice.

Page 2 of 4

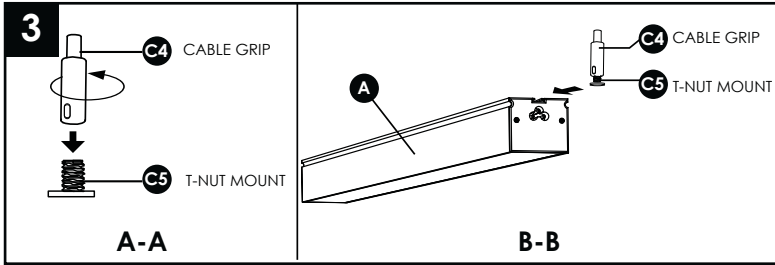


MLX
MULTI-LINX LED Fixture
Modular Linkable Linear Fixture

MLX
MULTI-LINX

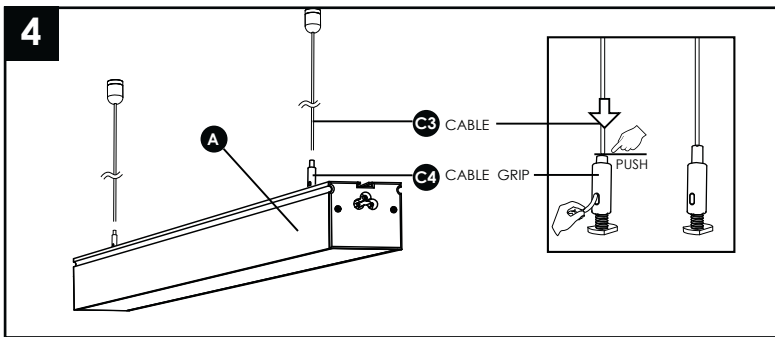


CABLE SUSPENSION (LINEARLY CONNECTED) INSTALLATION INSTRUCTIONS



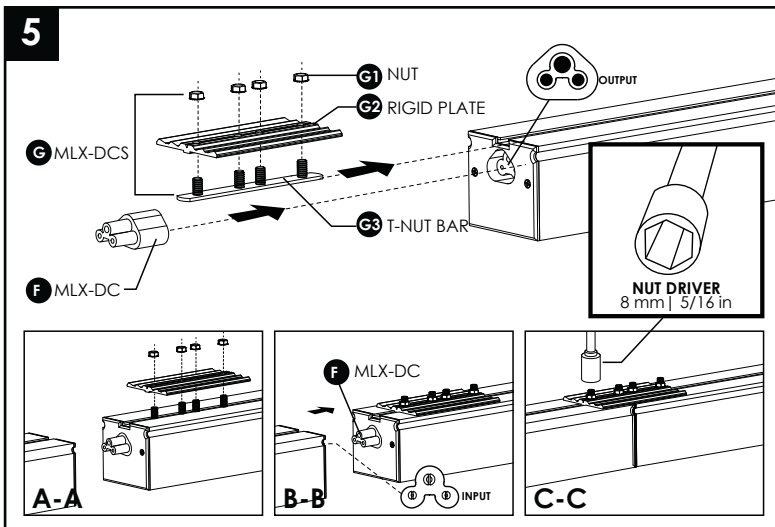
3 A-A Attach **C4** CABLE GRIP to **C5** T-NUT MOUNT, do not tighten all the way.

3 B-B Slide 2x **C4** & **C5** assembly into slot on top of **A** MLX fixture



4 Bring **A** MLX fixture up to where **C3** CABLES are installed. Insert **C3** CABLE into **C4** CABLE GRIP by pushing down on the spring locking mechanism, pull out **C3** CABLE from exit hole on **C4** CABLE GRIP, release spring mechanism on **C4** CABLE GRIP when desired height is reached. Repeat the process with the second **C3** CABLE. Adjust as needed to ensure fixture is level.

INSTALLATION OF MULTIPLE LINEAR FIXTURES



5 Installation of Multiple Fixtures with MLX-DC

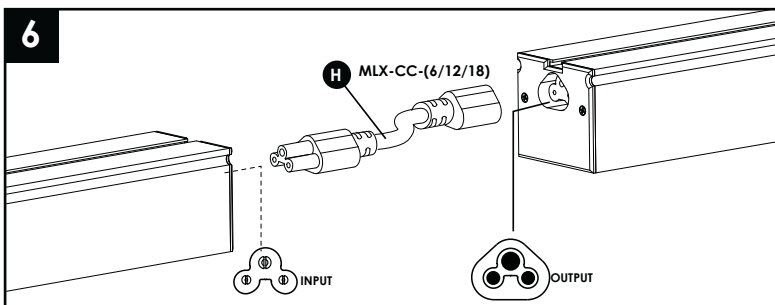
Plug in (1) **F** MLX-DC between every (2) **A** MLX fixtures that will be connected. Slide in **G3** T-NUT BAR as illustrated onto the slot on top of **A** MLX fixture at the output side.

5 A-A Match and insert **G2** RIGID PLATE mounting holes to **G3** T-NUT BAR's screw posts. Partially secure **G1** NUT on **G3** T-NUT BAR's screw posts, do not tighten.

5 B-B Connect second MLX fixture via input port to **F** direct connector in first MLX fixture

5 C-C Slide **G2** RIGID PLATE and **G3** T-NUT BAR to the center of 2 connected MLX fixtures. Tighten nuts on T-Bar with a NUT DRIVER.

Follow STEP 4 on hanging instructions.



6 Multiple Fixtures Connected with MLX-CC

Follow STEP 4 on hanging instructions then proceed to below instructions

Plug in **H** CONNECTING CABLE to input and output port to power adjacent MLX fixtures.

For Electrical Connection, See Page 4 >>>

JESCO
LIGHTING GROUP

www.jescocolighting.com
support@jescocolighting.com
Tech Support: 855.592.0029

15 Harbor Park Drive
Port Washington, NY 11050
Main Line: 800.527.7796
Fax Line: 855.265.5768

219 South 6th Ave
City of Industry, CA 91746
Main Line: 855.654.0110
Fax Line: 626.333.2955

JW 11/01/2017

Instruction sheet subject to change without prior notice.

Page 3 of 4



MLX
MULTI-LINX LED Fixture
 Modular Linkable Linear Fixture

MLX
MULTI-LINX



ELECTRICAL WIRING INSTRUCTIONS



TURN OFF ELECTRICITY

at main fuse box (or circuit breaker box) before beginning installation by switching circuit breaker off or removing fuse.
 MIN 90° C SUPPLY CONDUCTORS.

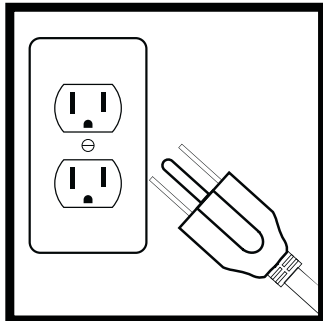


CONSULT A QUALIFIED ELECTRICIAN TO ENSURE CORRECT BRANCH CIRCUIT

RATED 120 VOLT AC

300W MAX
 connected run

18.7W per 2 foot fixture (16 units MAX)
 37.1W per 4 foot fixture (8 units MAX)
 73.4W per 8 foot fixture (4 units MAX)



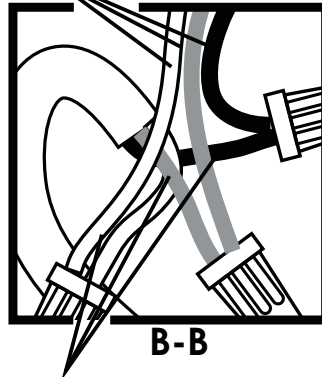
A-A

MLX-PC (05/10)
MLX-PC (05/10)-TF

A-A PLUG AND PLAY APPLICATIONS

Plug in MLX-PC(5/10) or MLX-PC(05/10)-TF to a 3 prong outlet.

SUPPLY WIRES



B-B

BLACK (HOT)
 WHITE (NEUTRAL)
 GREEN
 OR COPPER
 (GROUND)

MLX-PC-HW(05/10)
MLX-PC-HW(05/10)-TF

B-B HARD WIRING APPLICATIONS

Connect MLX-PC-HW(5/10) or MLX-PC-HW(05/10)-TF to supply wires in a junction box.
 BLACK to BLACK
 WHITE to WHITE
 GREEN to GREEN or COPPER

Secure all connections with wire nuts (not included)