



MLX
MULTI-LINX LED Fixture
 Modular Linkable Linear Fixture



INSTALLATION INSTRUCTIONS

Please read and save these instructions. Read carefully before using product. Protect yourself and others by observing all safety information, warnings and cautions. Failure to comply with instructions could result in personal injury and/or damage to product or property. Please retain instruction sheet for future reference.

IMPORTANT SAFETY INSTRUCTIONS

Read completely before beginning. If you feel you do not have adequate electrical wiring experience, have this installed by a qualified licensed electrician.

All electrical connections must be in accordance with local codes, ordinances and the National Electric Code. This product operates on 120V AC; always confirm the maximum wattage of the linear fixture does not exceed the maximum wattage of the circuit it is connected to. If you are unfamiliar with methods of installing electrical wiring, secure the services of a qualified licensed electrician.

1. Read and follow all safety instructions.
2. Read completely before beginning. If you feel you do not have adequate electrical wiring experience, have this installed by a qualified licensed electrician.
3. All electrical connections must be in accordance with local codes, ordinances and the National Electric Code. This product operates on 120V AC; always confirm the maximum wattage of the linear fixture does not exceed the maximum wattage of the circuit it is connected to. If you are unfamiliar with methods of installing electrical wiring, secure the services of a qualified licensed electrician.
4. Do not install the linear fixture if any damage is seen on the product or power cables.
5. Prior to starting the installation, disconnect the power by turning off the circuit breaker or removing the appropriate fuse. (Turning off power using the light switch is not sufficient to prevent electrical shock).



TURN OFF ELECTRICITY

at main fuse box (or circuit breaker box) before beginning installation by switching circuit breaker off or removing fuse.

MIN 90° C SUPPLY CONDUCTORS.



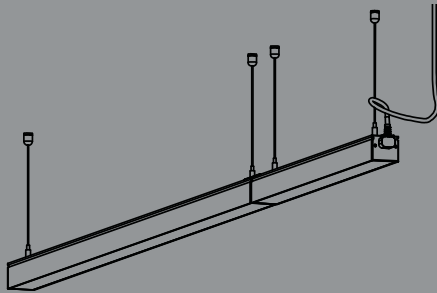
CONSULT A QUALIFIED ELECTRICIAN TO ENSURE CORRECT BRANCH CIRCUIT

RATED 120 VOLT AC

300W MAX
connected run

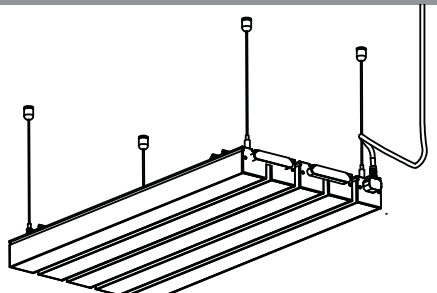
18.7W per 2 feet fixture (16units MAX)
 37.1W per 4 feet fixture (8 units MAX)
 73.4W per 8 feet fixture (4 units MAX)

MOUNTING OPTIONS



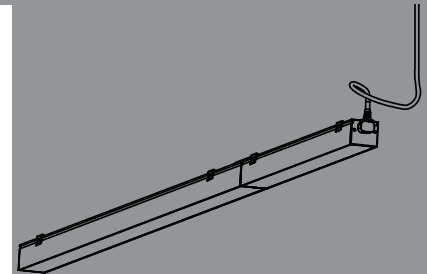
Single or Linearly Connected Ceiling Mounting with Cables

Single or multiple fixtures connected linearly.



Multiple Side-by-Side Ceiling Mounting with Cables

Multiple fixtures connected side-by-side.



Surface Mounting with Clips

Single or Multiple fixtures connected linearly.



FOR ELECTRICAL CONNECTION, SEE PAGE 5



JESCO
LIGHTING GROUP

www.jescolighting.com
 support@jescolighting.com
Tech Support: 855.592.0029

15 Harbor Park Drive
 Port Washington, NY 11050
Main Line: 800.527.7796
Fax Line: 855.265.5768

219 South 6th Ave
 City of Industry, CA 91746
Main Line: 855.654.0110
Fax Line: 626.333.2955

JW 11/01/2017

Instruction sheet subject to change without prior notice.

Page 1 of 5

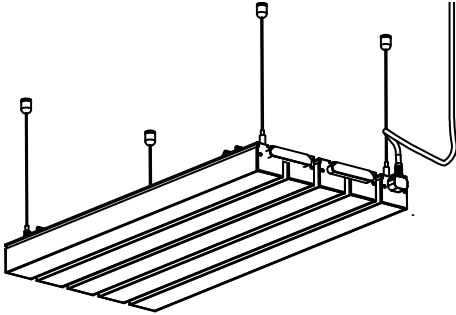


MLX
MULTI-LINX LED Fixture
Modular Linkable Linear Fixture

MLX
MULTI-LINX



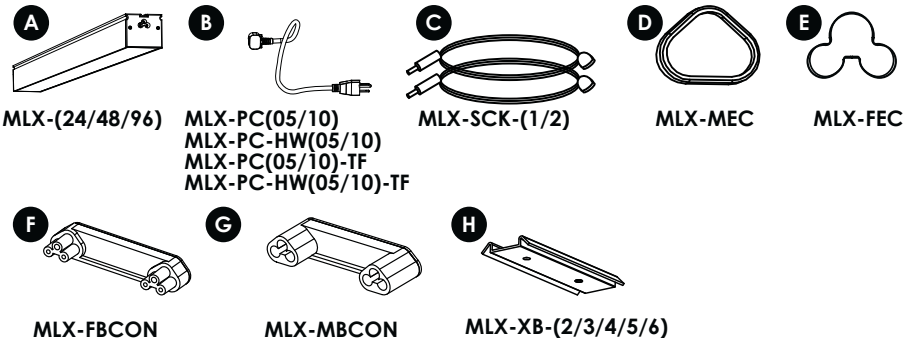
CABLE SUSPENSION (SIDE-BY-SIDE) INSTALLATION INSTRUCTIONS



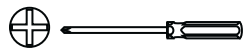
SUSPENSION WITH CABLES

Multiple fixtures connected side by side

COMPONENTS FOR MULTIPLE FIXTURES INSTALLATION (varies by configuration)



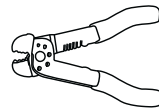
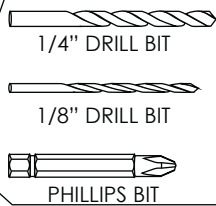
TOOLS REQUIRED



MINI PHILLIPS
SCREWDRIVER



POWER DRILL WITH:

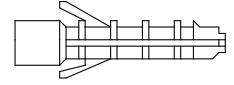


WIRE CUTTER

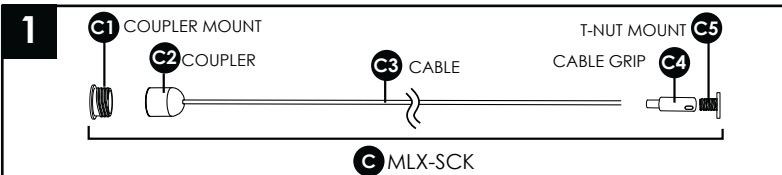
HARDWARE INCLUDED with MLX-SCK



MOUNTING SCREWS

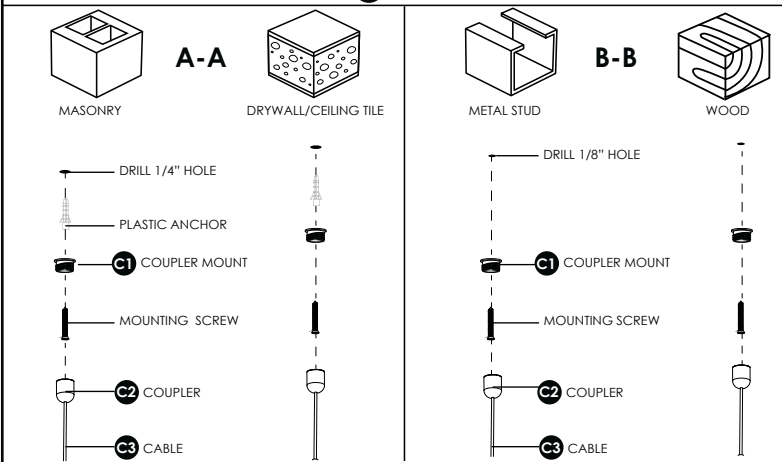


PLASTIC ANCHOR
FOR USE WITH DRYWALL
AND CEILING TILES



MAX SIDE BY SIDE CONNECTED FIXTURES - 300W

MLX-24 MAX-6 FIXTURES (120W)
MLX-48 MAX-6 FIXTURES (240W)
MLX-96 MAX-3 FIXTURES (240W)

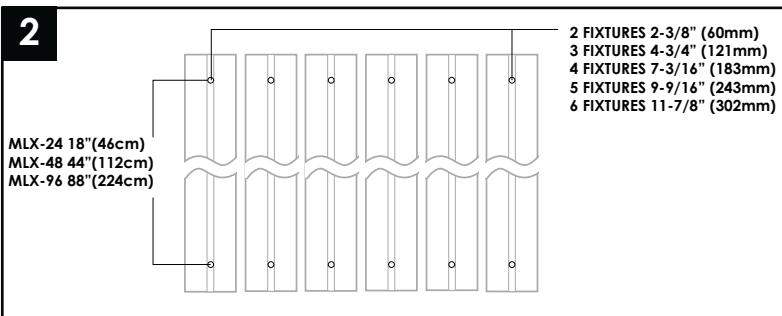


INSTALLING HANGING CABLE

1 Based on building material on intended mounting surface, determine the best mounting method. Each **A** MLX fixture requires (2) **C** MLX-SCK for installation, recommended distance between each **C** MLX-SCK is determined by **A** MLX fixture's length and numbers of fixtures connected as recommended in STEP 2

1 A-A Drill a 1/4" hole on mounting surface and make sure the depth is at least 1/4" pass the length of the plastic anchor. Insert plastic anchor in drilled hole. Fasten mounting screw and **C1** COUPLER MOUNT into the plastic anchor. Repeat the process for second **C1** COUPLER MOUNT, then secure **C2** COUPLER with **C3** CABLE to **C1** COUPLER MOUNT by hand.

1 B-B Drill a 1/8" pilot hole and fasten mounting screw and **C1** COUPLER MOUNT on to mounting surface. Repeat the process for all **C1** COUPLER MOUNT needed for installation.



Continue on page 5 ---->

JESCO
LIGHTING GROUP

www.jescolighting.com
support@jescolighting.com
Tech Support: 855.592.0029

15 Harbor Park Drive
Port Washington, NY 11050
Main Line: 800.527.7796
Fax Line: 855.265.5768

219 South 6th Ave
City of Industry, CA 91746
Main Line: 855.654.0110
Fax Line: 626.333.2955

JW 11/01/2017

Instruction sheet subject to change without prior notice.

Page 2 of 5

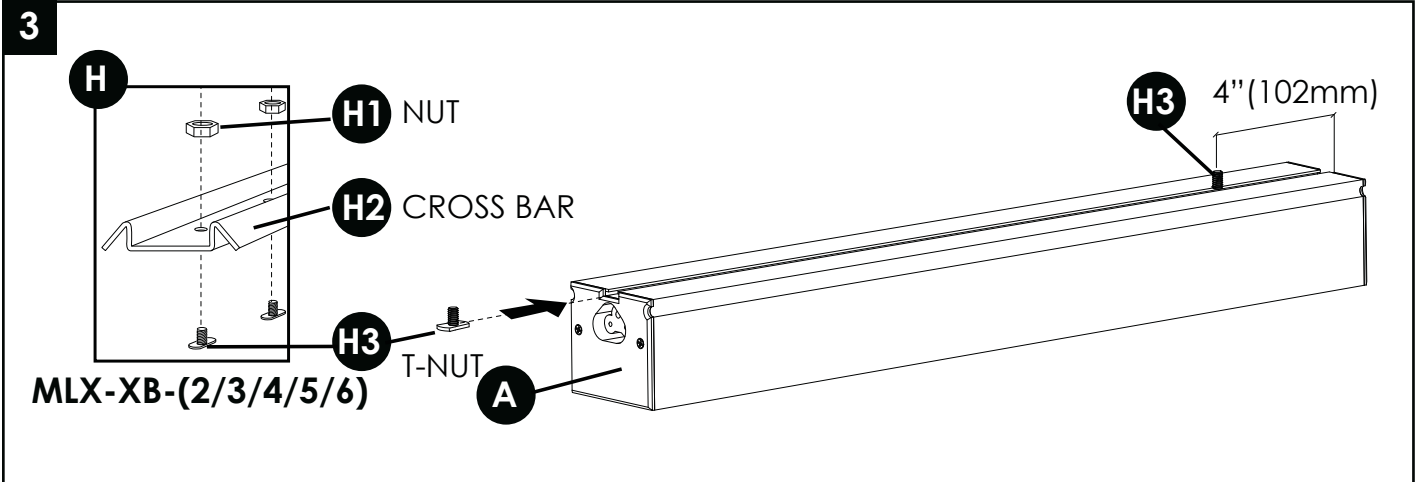


MLX
MULTI-LINX LED Fixture
 Modular Linkable Linear Fixture

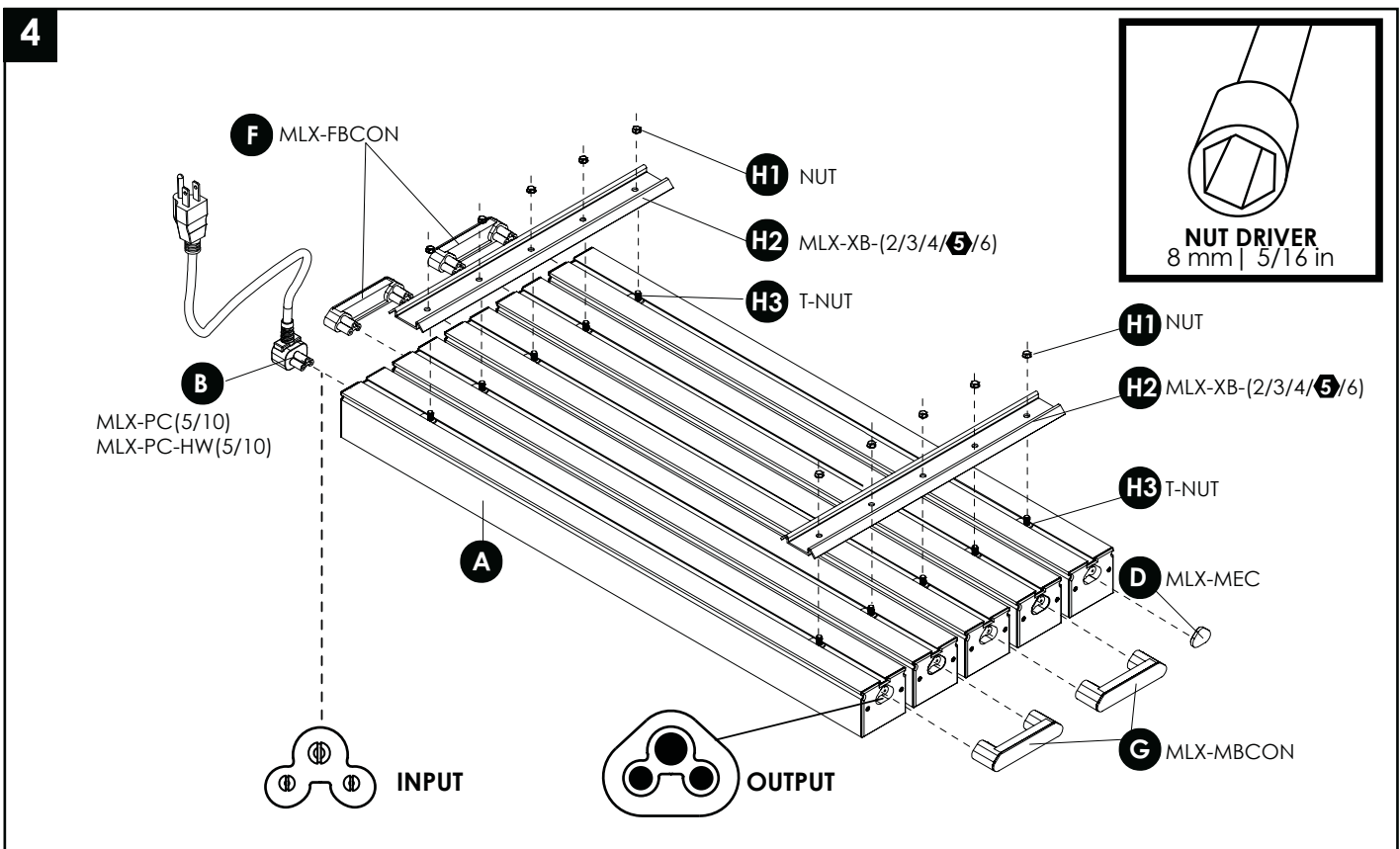
MLX
MULTI-LINX



CABLE SUSPENSION (SIDE-BY-SIDE) INSTALLATION INSTRUCTIONS



3 Insert (2) **H3** T-NUT onto the slot on top at the ends of each connected **A** MLX fixture. Place **H3** T-nut 4 inches away from end of **A** MLX fixture.



4 Arrange connecting fixtures side by side, making sure all input ports are together on one side and all output ports are on the other. Align and place **H2** MLX-XB over **H3** T-NUT, secure **H2** MLX-XB with **H3** NUT using a NUT DRIVER.

Continue on page 6 ---->

JESCO
 LIGHTING GROUP

www.jescolighting.com
 support@jescolighting.com
Tech Support: 855.592.0029

15 Harbor Park Drive
 Port Washington, NY 11050
Main Line: 800.527.7796
Fax Line: 855.265.5768

219 South 6th Ave
 City of Industry, CA 91746
Main Line: 855.654.0110
Fax Line: 626.333.2955

JW 11/01/2017

Instruction sheet subject to change without prior notice.

Page 3 of 5

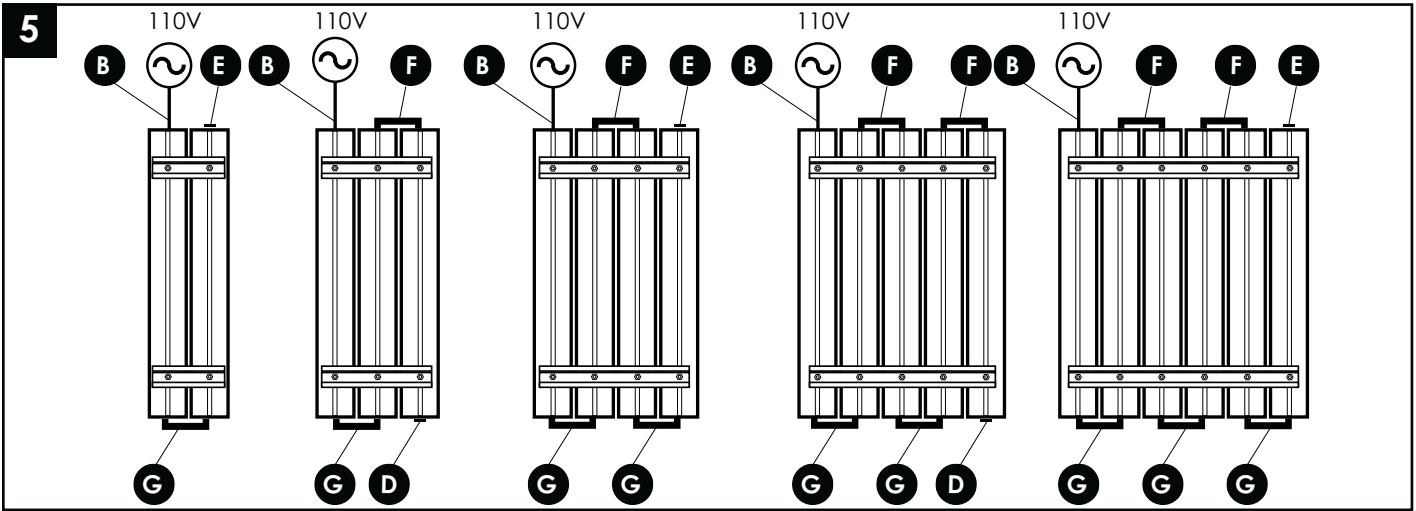


MLX
MULTI-LINX LED Fixture
Modular Linkable Linear Fixture

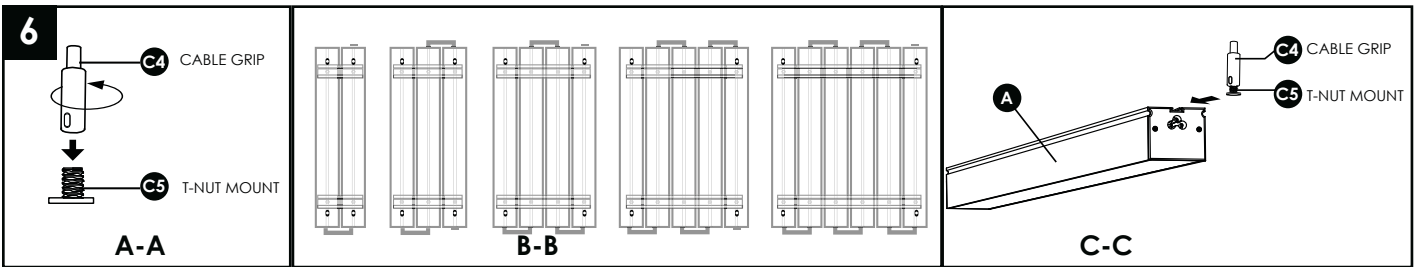
MLX
MULTI-LINX



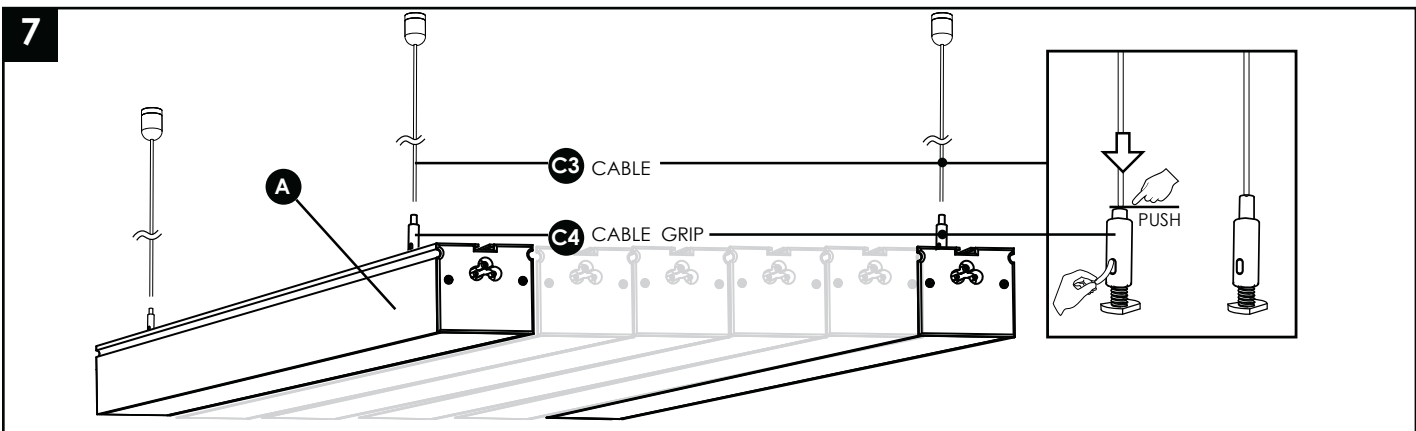
CABLE SUSPENSION (SIDE-BY-SIDE) INSTALLATION INSTRUCTIONS



5 Reference above diagram for different side by side connected configurations and determine placement and quantity of **F** MLX-FBON, **G** MLX-MBON, **D** MLX-MEC, and /or **E** MLX-FEC required for installation.



6 **A-A** Attach **C4** CABLE GRIP to **C5** T-NUT MOUNT, do not tighten all the way.
6 **B-B** Reference diagram for **C4** & **C5** assembly placement in different side-by-side connected configuration.
6 **C-C** From the ends of **A** MLX fixture, slide **C4** & **C5** assembly into slot on top as illustrated.



7 Bring side-by-side connected **A** MLX fixture up to where **C3** CABLES are installed. Insert **C3** CABLE into **C4** CABLE GRIP by pushing down on the spring locking mechanism, pull out **C3** CABLE from exit hole on **C4** CABLE GRIP, release spring mechanism on **C4** CABLE GRIP when desired height is reached. Repeat the process with the all the installed **C3** CABLES. Adjust as needed to ensure fixture is level.

For Electrical Connection, See Page 5 >>>

JESCO
LIGHTING GROUP

www.jescocolighting.com
support@jescocolighting.com
Tech Support: 855.592.0029

15 Harbor Park Drive
Port Washington, NY 11050
Main Line: 800.527.7796
Fax Line: 855.265.5768

219 South 6th Ave
City of Industry, CA 91746
Main Line: 855.654.0110
Fax Line: 626.333.2955

JW 11/01/2017

Instruction sheet subject to change without prior notice.

Page 4 of 5



MLX
MULTI-LINX LED Fixture
 Modular Linkable Linear Fixture

MLX
MULTI-LINX



ELECTRICAL WIRING INSTRUCTIONS



TURN OFF ELECTRICITY

at main fuse box (or circuit breaker box) before beginning installation by switching circuit breaker off or removing fuse.
 MIN 90° C SUPPLY CONDUCTORS.

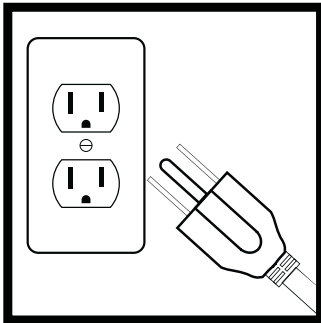


CONSULT A QUALIFIED ELECTRICIAN TO ENSURE CORRECT BRANCH CIRCUIT

RATED 120 VOLT AC

300W MAX
connected run

18.7W per 2 feet fixture (16units MAX)
 37.1W per 4 feet fixture (8 units MAX)
 73.4W per 8 feet fixture (4 units MAX)



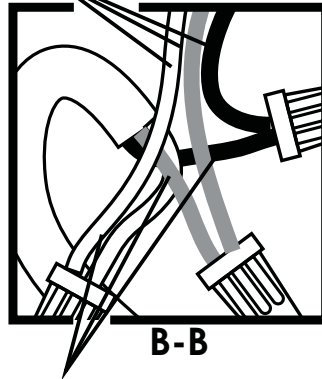
A-A

MLX-PC (05/10)
MLX-PC (05/10)-TF

A-A PLUG AND PLAY APPLICATIONS

Plug in MLX-PC(5/10) or MLX-PC(05/10)-TF to a 3 prong outlet.

SUPPLY WIRES



B-B

BLACK (HOT)
 WHITE (NEUTRAL)
 GREEN
 OR COPPER
 (GROUND)

MLX-PC-HW(05/10)
MLX-PC-HW(05/10)-TF

B-B HARD WIRING APPLICATIONS

Connect MLX-PC-HW(5/10) or MLX-PC-HW(05/10)-TF to supply wires in a junction box.
 BLACK to BLACK
 WHITE to WHITE
 GREEN to GREEN or COPPER

Secure all connections with wire nuts (not included)