



DL-AC-FLEX (INDOOR APPLICATIONS)

LED FLEXIBLE LINEAR
AC FLEXIBLE LINEAR STRIP

PATENT NO.: 9,671,075
PATENT NO.: 9,746,144

Type	
Project	
Catalog No.	



DESCRIPTION

INFINA® is the next generation of high lumen output, specification grade, flexible lighting system that incorporates JESCO's exclusive, patented, constant current, Driverless AC LED technology** which operates directly off of line voltage - no additional power source required and no drivers to hide. With a run length of 150', the product can be dimmed with an ELV dimmer***. The product is mounted either in a channel or with snap-in mounting clips. INFINA® is designed for dry, damp and wet locations. The LEDs are imbedded within a patented, flexible, optically clear thermoplastic jacket. For easy installation, JESCO offers a full complement of connectors.

FEATURES

- Provides up to 555 lm from 4.95W with an efficacy of 112 lm/W
- Patented constant current IC's provide uniform intensity over the entire run
- 3 Step Mac Adam LEDs
- JESCO's exclusive Driverless AC LED** technology incorporated within our patented, flexible, optically clear thermoplastic jacket provides for true 50,000 hours of operation with 70% lumen maintenance
- Line voltage - No power supplies to hide
- Run length of 150 feet (4" increments)
- Rated for Indoor and Outdoor applications
- High CRI of 80+
- Available in 2400K, 2700K, 3000K, 3500K, 4000K, 5000K.*
- Multiple mounting options available

SERIES	-	COLOR		+	Input Termination Options:
DL-AC-FLEX	-	<input type="text"/>			Hard Wire Pg. 2
		24 - 2400K			Plug & Play Pg. 3
		27 - 2700K			
		30 - 3000K			
		35 - 3500K			
		40 - 4000K			
		50 - 5000K			

EXAMPLE: DL-AC-FLEX-30

PER UL AND ETL SAFETY STANDARDS, ALL AC LED STRIPS ARE NOT FIELD CUTTABLE.

Field cutting will result in voiding the product warranty, possible electrical shock and damaging of the product.

Factory custom cut in precise 4" increments. Product is assembled to order and shipped ready for installation.

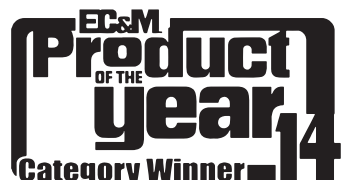


SPECIFICATIONS

Input Voltage	120V AC					
Wattage	4.95W per ft.					
CCT	2400K	2700K	3000K	3500K	4000K	5000K
Lumen*	430 lm	480 lm	500 lm	525 lm	555 lm	580 lm
Efficacy lm/W	87	97	101	106	112	117
Power Factor	0.95					
THD	48					
Max Run / Min Run	150ft. / 4in.					
Beam Angle	160°					
Lumen Maintenance†	50,000 hours					
Dimming	ELV*** (See page 7 for detail)					
Dimensions‡	7/8" W x 1/4" H					
Environment	Indoor/Outdoor - dry, damp and wet					
Operating Temp.	-22°F to 122°F					
Certifications	UL - Hard Wire Applications ETL - Hard Wire and Plug & Play applications					
Warranty	5 Years. See published warranty terms for detailed information.					



* Contact factory for custom colors
 ** Powered by Mag-LED
 *** Never exceed dimmer max wattage, effectively dim down to 10%
 For dimming options, see page 8 for detail.
 † TM-21 calculation based on LM80 report
 ‡ Nominal



DL-AC-FLEX (INFINA®) Order Calculations Sheet



www.jescolighting.com
support@jecolighting.com
Tech Support: 855.592.0029

15 Harbor Park Drive
Port Washington, NY 11050
Main Line: 800.527.7796
Fax Line: 855.265.5768

219 South 6th Ave
City of Industry, CA 91746
Main Line: 855.654.0110
Fax Line: 626.333.2955

Specifications subject to change without notice.



DL-AC-FLEX (INDOOR APPLICATIONS)

LED FLEXIBLE LINEAR
AC FLEXIBLE LINEAR STRIP

PATENT NO.:9,671,075
PATENT NO.:9,746,144

Type	
Project	
Catalog No.	



INDOOR HARD WIRE OPTIONS

MOUNTING METHODS



DL-AC-FLEX-MC-HW
Fixed Mounting U Clip
(Clear Plastic with UV inhibitors)
Dims: 1/2"H x 3/8"W x 1-5/16"L ♦
NOTE: 2 clips per section included.
Required for all hardwire applications



DL-AC-FLEX-MC
Plastic Snap-in Mounting "U" Clip
(Clear Plastic with UV inhibitors)
Dims: 1/2"H x 1"W x 1"L ♦
Recommended: 1 clip every 6"



DL-AC-FLEX-MC-M
Metal Snap-in Mounting "U" Clip
(Stainless Spring Steel)
Dims: 1/2"H x 5/8"W x 1"L ♦
Recommended: 1 clip every 6"



DL-AC-FLEX-CH4
4' Mounting Channel
(Clear Plastic with UV inhibitors)
Dims: 1/2"H x 1"W x 48"L ♦



DL-AC-FLEX-CH8
8' Mounting Channel
(Clear Plastic with UV inhibitors)
Dims: 1/2"H x 1"W x 96"L ♦

NEW!



DL-AC-FLEX-CH6M
6-1/2' Metal Mounting Channel
Dims: 1/2"H x 1-1/16"W x 78-3/4"L ♦



DL-AC-FLEX-CH-M-BR
Face up Metal Mounting Clip for Metal Channel
Dims: 11/16"H x 1-1/16"W x 1"L ♦



DL-AC-FLEX-CH-M-45BR
45° Metal Mounting Clip for Metal Channel
Dims: 1-1/8"H x 1-1/8"W x 1"L ♦



CH-FX-41-FR
Anodized Aluminum Channel Set with Frosted Lens Cover
Dims: 1-3/4"H x 1-3/8"W x 78-3/4"L ♦



CH-FX-41
Anodized Aluminum Channel Only
Dims: 7/8"H x 1-3/8"W x 78-3/4"L ♦
See product spec for mounting options and accessories.

TERMINATING OPTIONS ††



DL-AC-FLEX-HW-08
8' SJT cable with integral heat sink coverplate ♣



DL-AC-FLEX-HW-20
20' SJT cable with integral heat sink coverplate ♣



DL-AC-FLEX-HW-08-CNDT
8' SJT cable with Integral heat sink coverplate with connection to 1/2"Ø flexible aluminum conduit ♣



DL-AC-FLEX-HW-20-CNDT
20' SJT cable with Integral heat sink coverplate with connection to 1/2"Ø flexible aluminum conduit ♣



DL-AC-FLEX-08-RADJ
8' SJT cable with Integral heat sink coverplate with 90° connection to 3/4" rigid raceway ♣



DL-AC-FLEX-20-RADJ
20' SJT cable with Integral heat sink coverplate with 90° connection to 3/4" rigid raceway ♣

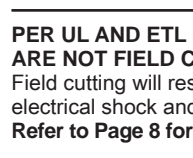
ACCESSORIES



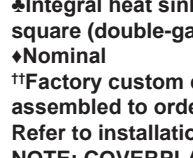
DL-AC-FLEX-CC3
3" Connecting Cable ♦



DL-AC-FLEX-CC6
6" Connecting Cable ♦



DL-AC-FLEX-CC12
12" Connecting Cable ♦



DL-AC-FLEX-CC24
24" Connecting Cable ♦



DL-AC-FLEX-FLEX-CON
Flexible Connector
(For corners with tight radius bend)



DL-AC-FLEX-EC
End Cap (Clear)
Note:
End cap must be used at the end of each run.

PER UL AND ETL SAFETY STANDARDS, ALL AC LED STRIPS ARE NOT FIELD CUTTABLE.

Field cutting will result in voiding the product warranty, possible electrical shock and damaging of the product.

Refer to Page 8 for all cautions

♣Integral heat sink coverplate is made to fit on standard 4 inch square (double-gang) box.

♦Nominal

††Factory custom cut in precise 4" increments. Product is assembled to order and shipped ready for installation.

Refer to installation instructions for complete details on use.

NOTE: COVERPLATE ASSEMBLY MUST BE USED IN CONJUNCTION WITH DL-AC-FLEX STRIP FOR ALL INDOOR HARD WIRING APPLICATIONS.



DL-AC-FLEX (INDOOR APPLICATIONS)

LED FLEXIBLE LINEAR
AC FLEXIBLE LINEAR STRIP

PATENT NO.:9,671,075
PATENT NO.:9,746,144

Type	
Project	
Catalog No.	



PLUG AND PLAY OPTIONS

MOUNTING METHODS



DL-AC-FLEX-MC
Plastic Snap-in Mounting "U" Clip
(Clear Plastic with UV inhibitors)
Dims: 1/2"H x 1"W x 1"L ♦
Recommended: 1 clip every 6"



DL-AC-FLEX-MC-M
Metal Snap-in Mounting "U" Clip
(Stainless Spring Steel)
Dims: 1/2"H x 5/8"W x 1"L ♦
Recommended: 1 clip every 6"



DL-AC-FLEX-CH4
4' Mounting Channel
(Clear Plastic with UV inhibitors)
Dims: 1/2"H x 1"W x 48"L ♦

DL-AC-FLEX-CH8
8' Mounting Channel
(Clear Plastic with UV inhibitors)
Dims: 1/2"H x 1"W x 96"L ♦



NEW!

DL-AC-FLEX-CH6M
6-1/2' Metal Mounting Channel
Dims: 1/2"H x 1-1/16"W x 78-3/4"L ♦



DL-AC-FLEX-CH-M-BR
Face up Metal Mounting Clip for Metal Channel
Dims: 11/16"H x 1-1/16"W x 1"L ♦



DL-AC-FLEX-CH-M-45BR
45° Metal Mounting Clip for Metal Channel
Dims: 1-1/8"H x 1-1/8"W x 1"L ♦

TERMINATING OPTIONS ††



DL-AC-FLEX-PC2
2' Cord and Power Plug with surge protection
for runs < 75'

DL-AC-FLEX-PC6
5' Cord and Power Plug with surge protection
for runs < 75'



DL-AC-FLEX-75-PC2
2' Power Plug with surge protection
for runs > 75'

ACCESSORIES



DL-AC-FLEX-CC3
3" Connecting Cable ♦

DL-AC-FLEX-CC6
6" Connecting Cable ♦

DL-AC-FLEX-CC12
12" Connecting Cable ♦

DL-AC-FLEX-CC24
24" Connecting Cable ♦



DL-AC-FLEX-FLEX-CON
Flexible Connector
(For corners with tight radius bend)



DL-AC-FLEX-EC
End Cap (Clear)
Note:
End cap must be used at the end of each run.

PER UL AND ETL SAFETY STANDARDS, ALL AC LED STRIPS ARE NOT FIELD CUTTABLE.

Field cutting will result in voiding the product warranty, possible electrical shock and damaging of the product.

Refer to Page 8 for all cautions

♦Integral heat sink coverplate is made to fit on standard 4 inch square (double-gang) box.

♦Nominal

††Factory custom cut in precise 4" increments. Product is assembled to order and shipped ready for installation. Refer to installation instructions for complete details on use.

NOTE: COVERPLATE ASSEMBLY MUST BE USED IN CONJUNCTION WITH DL-AC-FLEX STRIP FOR ALL INDOOR HARD WIRING APPLICATIONS.



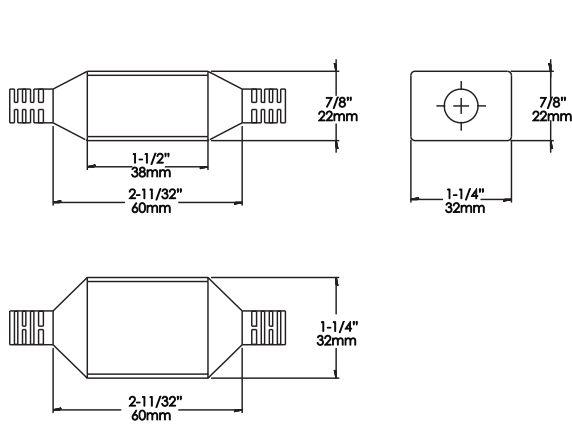
DL-AC-FLEX (INDOOR APPLICATIONS)

LED FLEXIBLE LINEAR
AC FLEXIBLE LINEAR STRIP

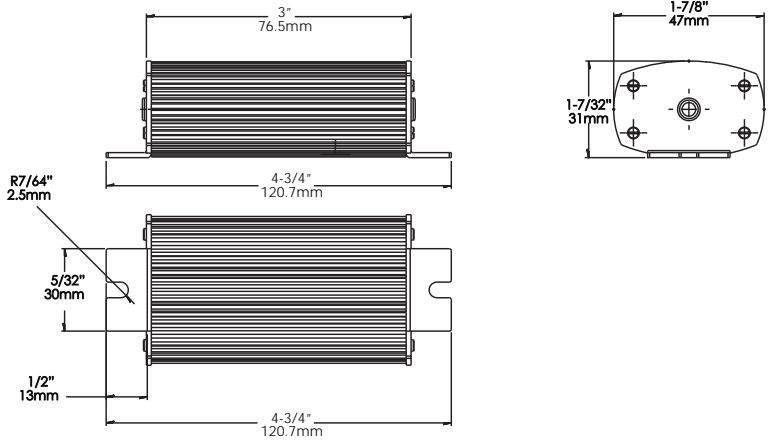
PATENT NO.:9,671,075
PATENT NO.:9,746,144

Type	
Project	
Catalog No.	

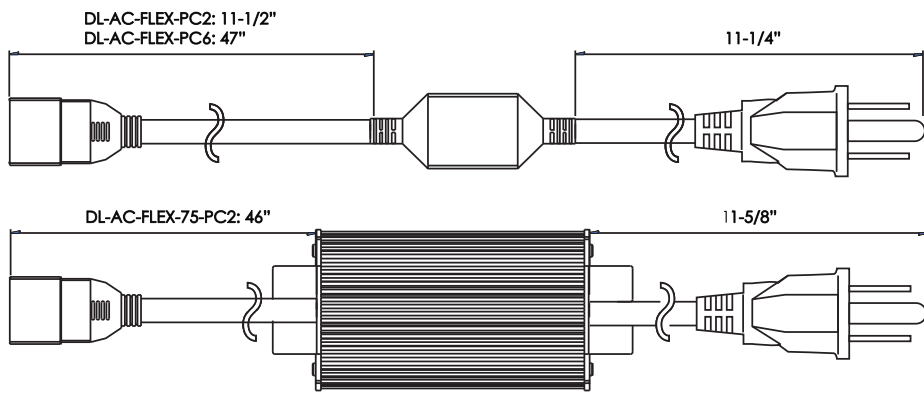
COMPONENT DIMENSIONS



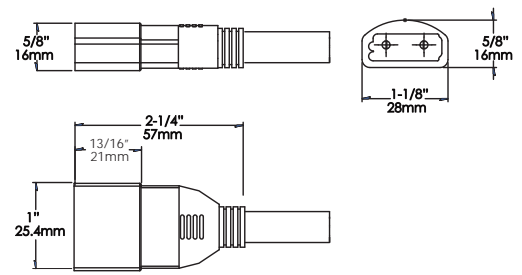
DL-AC-FLEX-PC SURGE MODULE



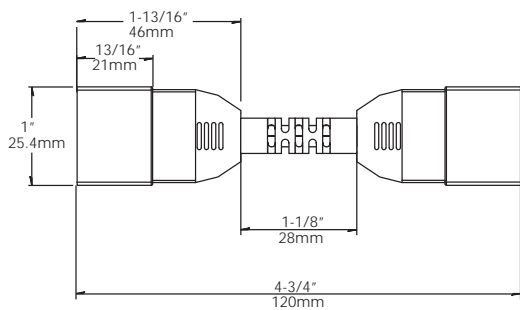
DL-AC-FLEX-75-PC2 SURGE MODULE



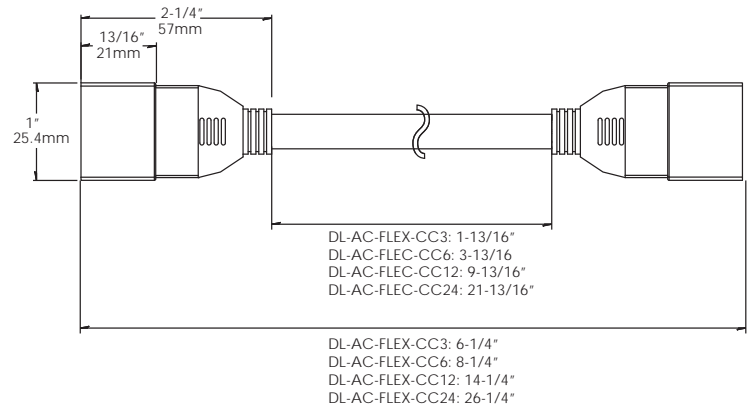
PLUG & PLAY INPUT TERMINATION OVERALL LENGTH



DL-AC-FLEX STRIP PC CONNECTOR



DL-AC-FLEX-FLEX-CON
Flexible Connecting Cable (Indoor Only)



DL-AC-FLEX-CC
Connecting Cable

NOTE: ALL DIMENSIONS ARE NOMINAL



www.jescolighting.com
support@jecolighting.com
Tech Support: 855.592.0029

15 Harbor Park Drive
Port Washington, NY 11050
Main Line: 800.527.7796
Fax Line: 855.265.5768

219 South 6th Ave
City of Industry, CA 91746
Main Line: 855.654.0110
Fax Line: 626.333.2955

JW 09/05/2018

Specifications subject to change without notice.



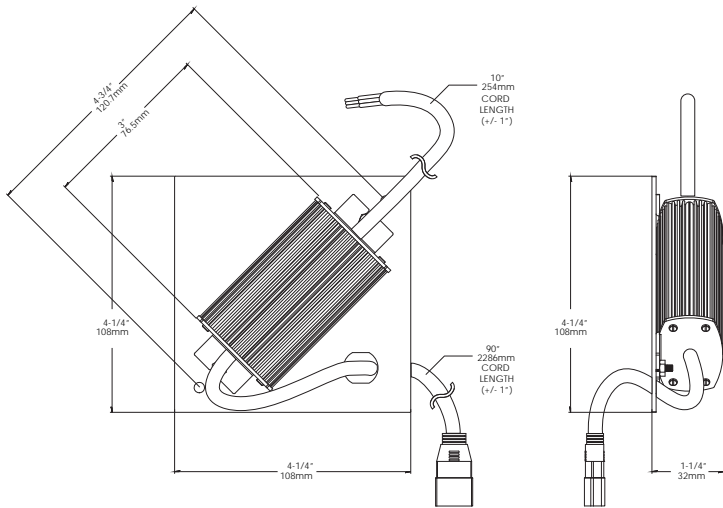
DL-AC-FLEX (INDOOR APPLICATIONS)

LED FLEXIBLE LINEAR
AC FLEXIBLE LINEAR STRIP

PATENT NO.:9,671,075
PATENT NO.:9,746,144

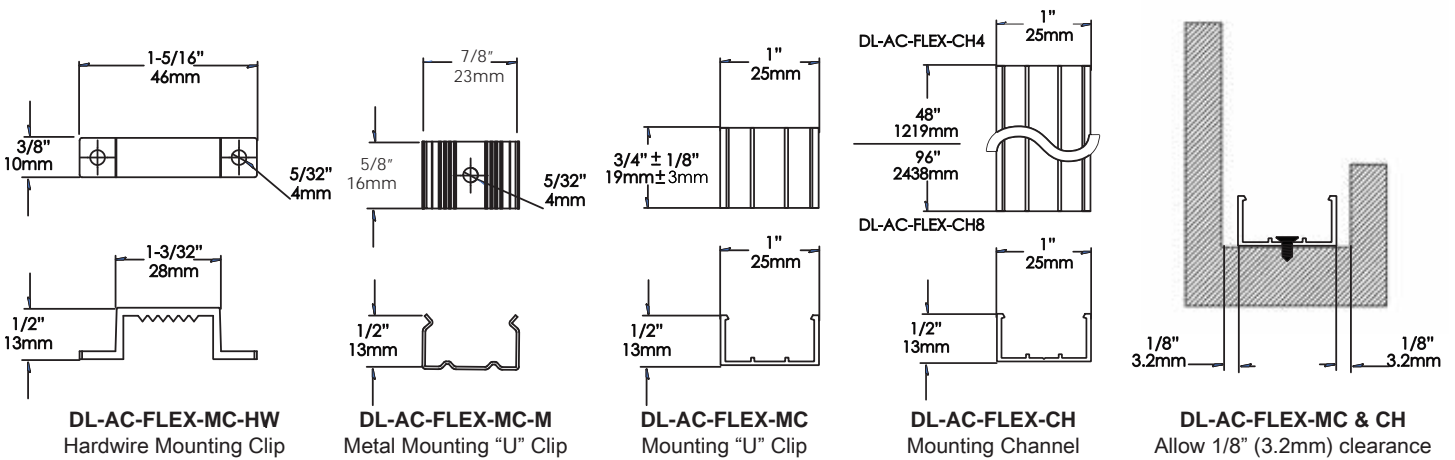
Type	
Project	
Catalog No.	

COMPONENTS DIMENSIONS CONTINUED



DL-AC-FLEX-HW-(08/20)
SJT Cable with integral heat sink coverplate
Made to fit on standard 4" junction box (min. 2" depth)

MOUNTING ACCESSORIES DIMENSIONS



DL-AC-FLEX-MC-HW
Hardwire Mounting Clip

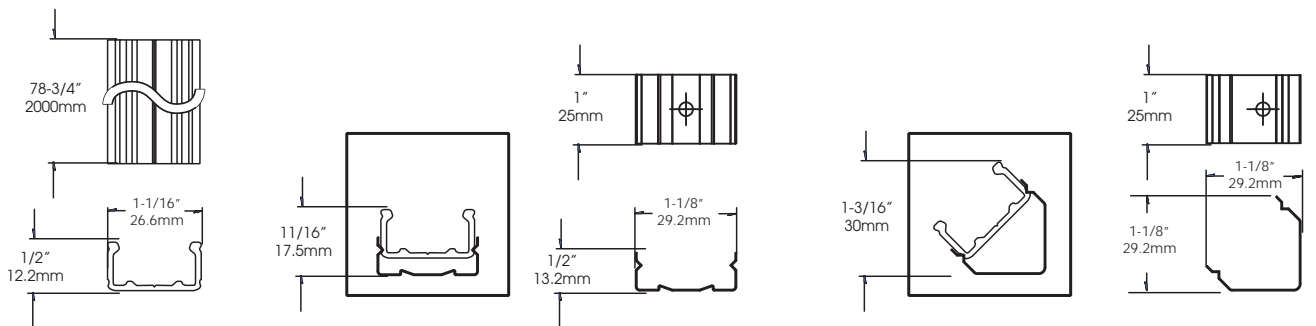
DL-AC-FLEX-MC-M
Metal Mounting "U" Clip

DL-AC-FLEX-MC
Mounting "U" Clip

DL-AC-FLEX-CH
Mounting Channel

DL-AC-FLEX-MC & CH
Allow 1/8" (3.2mm) clearance

NEW!



DL-AC-FLEX-CH6M
6-1/2ft Metal Mounting Channel

DL-AC-FLEX-CH-M-BR
Spring Clip for Metal Channel

DL-AC-FLEX-CH-M-45BR
45° Spring Clip for Metal Channel

NOTE: ALL DIMENSIONS ARE NOMINAL



www.jescolighting.com
support@jecolighting.com
Tech Support: 855.592.0029

15 Harbor Park Drive
Port Washington, NY 11050
Main Line: 800.527.7796
Fax Line: 855.265.5768

219 South 6th Ave
City of Industry, CA 91746
Main Line: 855.654.0110
Fax Line: 626.333.2955

JW 09/05/2018

Specifications subject to change without notice.

Page 5 of 8



DL-AC-FLEX (INDOOR APPLICATIONS)

LED FLEXIBLE LINEAR
AC FLEXIBLE LINEAR STRIP

PATENT NO.:9,671,075
PATENT NO.:9,746,144

Type	
Project	
Catalog No.	

PHOTOMETRIC DATA

IES FILE AVAILABLE:



2700K

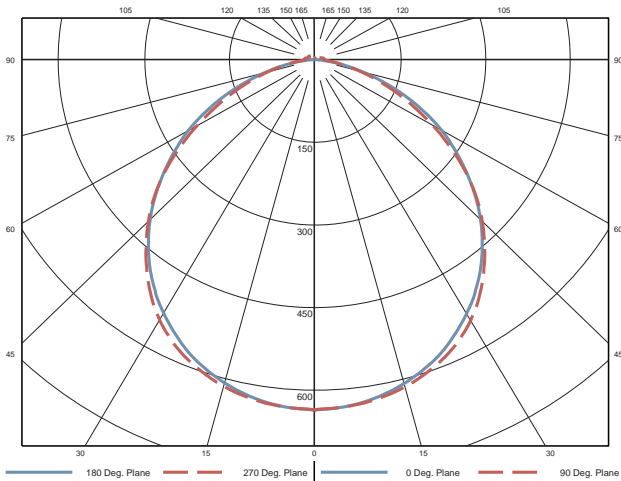


3000K



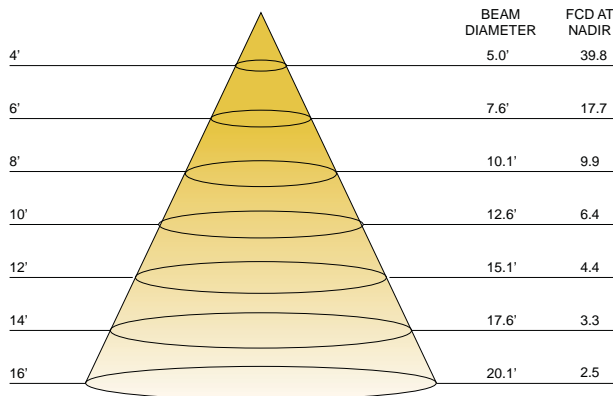
4000K

DISTRIBUTION - POLAR PLOT 3000K*



Zone	Lumens	% of Luminaire
0-40	810	46.5%
0-60	1258	80.3%
0-90	1697	97.4%
90-180	45	2.6%

DISTRIBUTION - CONE OF LIGHT 3000K*



Mounting Height (Ft.)	Footcandles at Nadir	Diameter (Ft.)
4.00	39.8	5.04
6.00	17.7	7.56
8.00	9.94	10.1
10.0	6.36	12.6
12.0	4.42	15.1
14.0	3.25	17.6
16.0	2.49	20.1

*Based on 48" DL-AC-FLEX-30 LED strip



DL-AC-FLEX (INDOOR APPLICATIONS)

LED FLEXIBLE LINEAR
AC FLEXIBLE LINEAR STRIP

PATENT NO.:9,671,075
PATENT NO.:9,746,144

Type	
Project	
Catalog No.	

COMPATIBLE DIMMERS up to 110ft continuous run*

MANUFACTURER	STYLE	MODEL NUMBER	TYPE	CAPACITY	RECOMMENDED FOOTAGE
Lutron	Diva	DVELV-300	Electronic Low Voltage	300W	50 FEET
	Nova T	NTELV-300	Electronic Low Voltage	300W	50 FEET
	Nova T	NTELV-600	Electronic Low Voltage	600W	110 FEET
	Maestro	MIRELV-600	Electronic Low Voltage	600W	110 FEET

DIMMING 150FT. CONTINUOUS RUN OF INFINA®*

PARTS REQUIRED (not included)
DIMMER: **LUTRON NOVA-T-NTF-10**
INTERFACE: **LUTRON PHPM-WBX-120-WH**

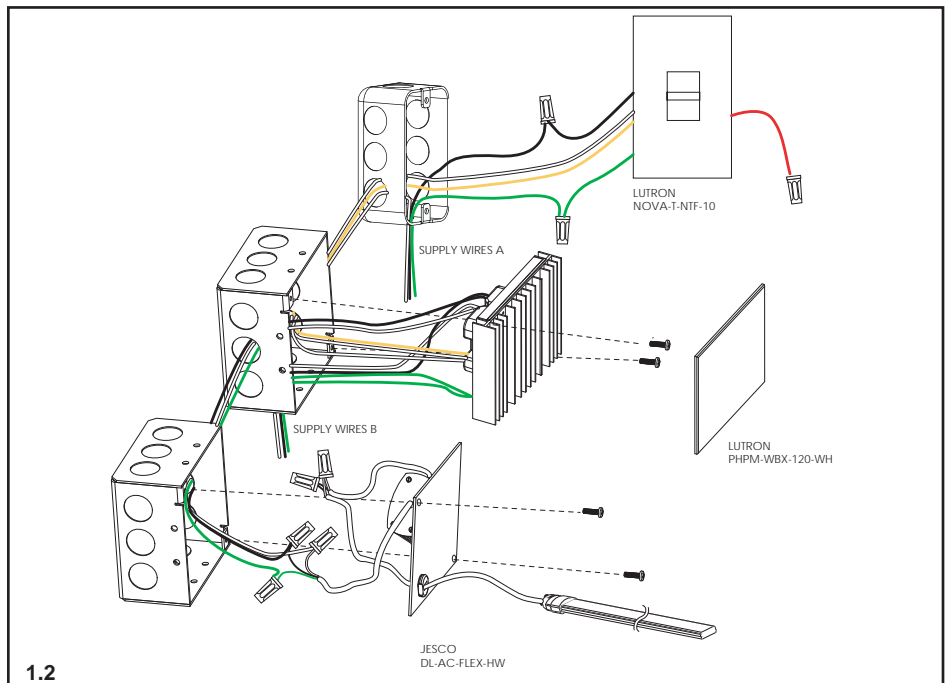
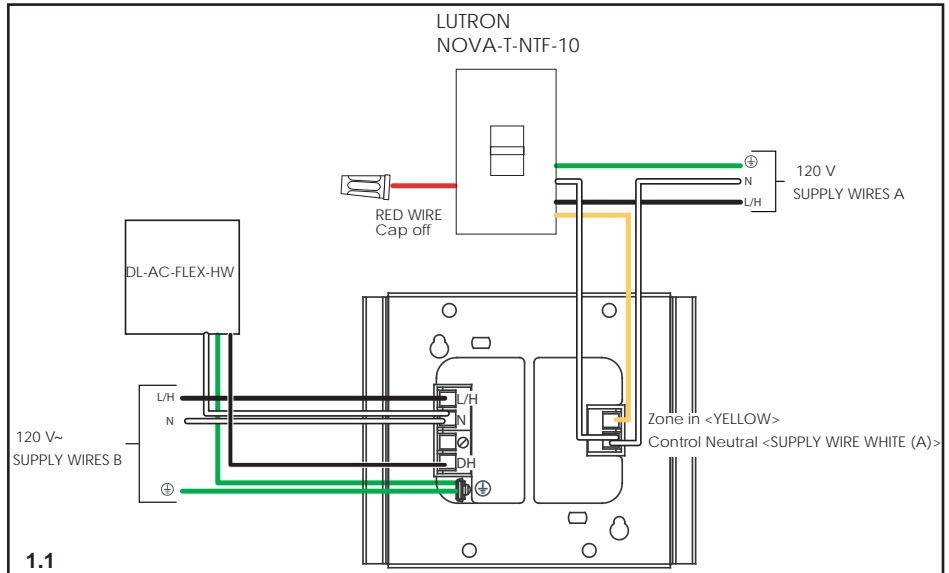
1.1 Suggested wiring with separate power feeds for control and load sides.

1.2 Typical installation with separate power feeds for control and load sides.

Please check manufacturer's documentations on detailed wiring and installation instructions.

LUTRON PHPM-WBX-120-WH

- Indoor use only.
- minimum load 10W
- Mount in 2-gang U.S. wallbox 3.5 in (89 mm) deep or 4 in x 4 in (102 mm x 102 mm) junction box 2.1 in (53 mm) deep.
- This device generates heat; mount only where ambient temperature is 32 °F to 104 °F (0 °C to 40 °C).
- Mount with arrows facing up to ensure adequate cooling.
- Allow 4.5 in (114 mm) above and below unit and between faceplates when mounting several in a vertical layout.
- Mount so line (mains) voltage wiring is at least 6 ft (1.8 m) from sound or electronic equipment and wiring.



* Effectively dim down to 10%

NOTE: All available dimmers have not been tested with INFINA® and there may be several factors during installation that can affect performance. Prior testing of your exact application of INFINA® and your designated dimmer is highly recommended. For dimmers that are not listed, please contact factory.



www.jescolighting.com
support@jecolighting.com
Tech Support: 855.592.0029

15 Harbor Park Drive
Port Washington, NY 11050
Main Line: 800.527.7796
Fax Line: 855.265.5768

219 South 6th Ave
City of Industry, CA 91746
Main Line: 855.654.0110
Fax Line: 626.333.2955

JW 09/05/2018

Specifications subject to change without notice.

Page 7 of 8



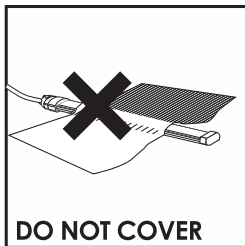
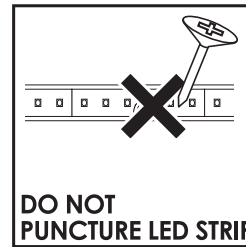
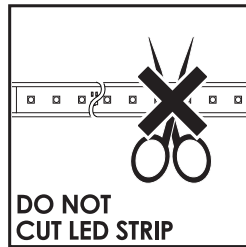
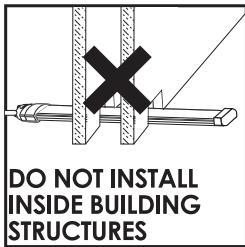
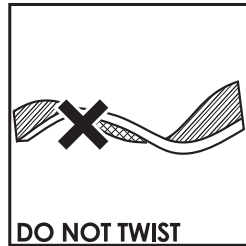
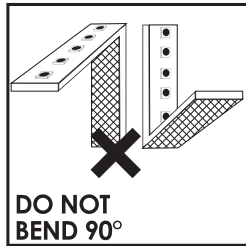
DL-AC-FLEX (INDOOR APPLICATIONS)

LED FLEXIBLE LINEAR
AC FLEXIBLE LINEAR STRIP

PATENT NO.:9,671,075
PATENT NO.:9,746,144

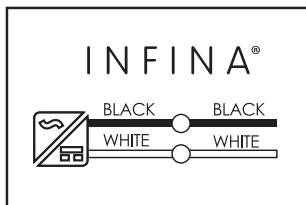
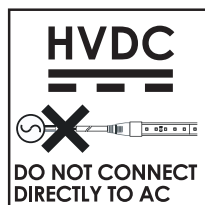
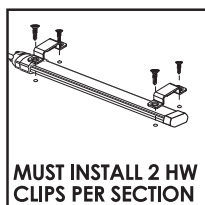
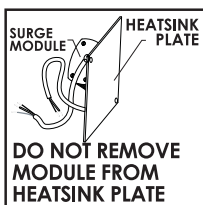
Type	
Project	
Catalog No.	

CAUTION



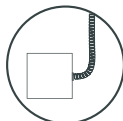
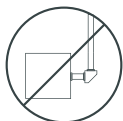
HARDWIRE REFERENCE INSTALLATION SHEET FOR DETAILS

HARDWIRE CONNECTION WIRING

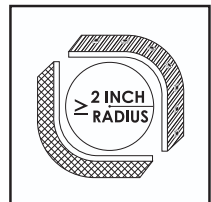
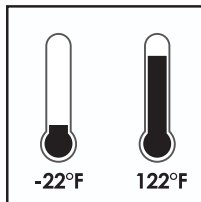


INCORRECT BRANCH CIRCUIT CONNECTION WILL VOID THE WARRANTY OF THE PRODUCT
ON-BOARD COMPONENTS ARE SCEPTIBLE TO DAMAGE FROM INCORRECT WIRING

OUTDOOR DO NOT SUBMERGE IN LIQUID OR IN AREAS WHERE WATER WILL PUDDLE



FLEXIBLE CONDUIT ONLY
MAKE SURE ALL CONNECTIONS ARE SEALED AND WATER TIGHT



NOTE: Avoid installing at locations with prolonged exposure to direct sunlight to prevent extended heat buildup and to maintain optimum operating temperature.

WARRANTY IS VOID IF ANY OF THE ABOVE ARE VIOLATED