



DL-AC-FLEX (OUTDOOR APPLICATIONS)

LED FLEXIBLE LINEAR
AC FLEXIBLE LINEAR STRIP

PATENT NO.: 9,671,075
PATENT NO.: 9,746,144

| | |
|-------------|--|
| Type | |
| Project | |
| Catalog No. | |



DESCRIPTION

INFINA® is the next generation of high lumen output, specification grade, flexible lighting system that incorporates JESCO's exclusive, patented, constant current, Driverless AC LED technology** which operates directly off of line voltage - no additional power source required and no drivers to hide. With a run length of 150', the product can be dimmed with an ELV dimmer***. The product is mounted either in a channel or with snap-in mounting clips. INFINA® is designed for dry, damp and wet locations. The LEDs are imbedded within a patented, flexible, optically clear thermoplastic jacket. For easy installation, JESCO offers a full complement of connectors.

FEATURES

- Provides up to 555 lm from 4.95W with an efficacy of 112 lm/W
- Patented constant current IC's provide uniform intensity over the entire run
- 3 Step Mac Adam LEDs
- JESCO's exclusive Driverless AC LED** technology incorporated within our patented, flexible, optically clear thermoplastic jacket provides for true 50,000 hours of operation with 70% lumen maintenance
- Line voltage - No power supplies to hide
- Run length of 150 feet (4" increments)
- Rated for Indoor and Outdoor applications
- High CRI of 80+
- Available in 2400K, 2700K, 3000K, 3500K, 4000K, 5000K.*
- Multiple mounting options available

| | | | | | |
|-------------------|---|----------------------|--|---|----------------------------|
| SERIES | - | COLOR | | + | Input Termination Options: |
| DL-AC-FLEX | - | <input type="text"/> | | | Hard Wire Pg. 2 |
| | | 24 - 2400K | | | Plug & Play Pg. 3 |
| | | 27 - 2700K | | | |
| | | 30 - 3000K | | | |
| | | 35 - 3500K | | | |
| | | 40 - 4000K | | | |
| | | 50 - 5000K | | | |

SPECIFICATIONS

| | | | | | | |
|---------------------------|---|--------|--------|--------|--------|--------|
| Input Voltage | 120V AC | | | | | |
| Wattage | 4.95W per ft. | | | | | |
| CCT | 2400K | 2700K | 3000K | 3500K | 4000K | 5000K |
| Lumen* | 430 lm | 480 lm | 500 lm | 525 lm | 555 lm | 580 lm |
| Efficacy lm/W | 87 | 97 | 101 | 106 | 112 | 117 |
| Power Factor | 0.95 | | | | | |
| THD | 48 | | | | | |
| Max Run / Min Run | 150ft. / 4in. | | | | | |
| Beam Angle | 160° | | | | | |
| Lumen Maintenance† | 50,000 hours | | | | | |
| Dimming | ELV*** (See page 7 for detail) | | | | | |
| Dimensions‡ | 7/8" W x 1/4" H | | | | | |
| Environment | Indoor/Outdoor - dry, damp and wet | | | | | |
| Operating Temp. | -22°F to 122°F | | | | | |
| Certifications | UL - Hard Wire Applications ETL - Hard Wire and Plug & Play applications | | | | | |
| Warranty | 5 Years. See published warranty terms for detailed information. | | | | | |



- * Contact factory for custom colors
- ** Powered by Mag-LED
- *** Never exceed dimmer max wattage, effectively dim down to 10%
- For dimming options, see page 8 for detail.
- † TM-21 calculation based on LM80 report
- ‡ Nominal

EXAMPLE: DL-AC-FLEX-30

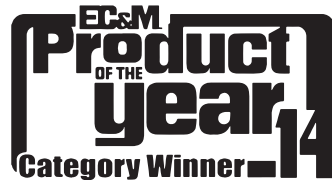
PER UL AND ETL SAFETY STANDARDS,
ALL AC LED STRIPS ARE NOT FIELD
CUTTABLE.

Field cutting will result in voiding the product warranty, possible electrical shock and damaging of the product.

Factory custom cut in precise 4" increments.
Product is assembled to order and shipped ready for installation.



LED STRIP NOT CUTTABLE
Refer to Page 8 for all cautions



**DL-AC-FLEX (INFINA®)
Order Calculations Sheet**



www.jescolighting.com
support@jecolighting.com
Tech Support: 855.592.0029

15 Harbor Park Drive
Port Washington, NY 11050
Main Line: 800.527.7796
Fax Line: 855.265.5768

219 South 6th Ave
City of Industry, CA 91746
Main Line: 855.654.0110
Fax Line: 626.333.2955

JW 09/05/2018

Specifications subject to change without notice.



DL-AC-FLEX (OUTDOOR APPLICATIONS)

LED FLEXIBLE LINEAR
AC FLEXIBLE LINEAR STRIP

PATENT NO.:9,671,075
PATENT NO.:9,746,144

| | |
|-------------|--|
| Type | |
| Project | |
| Catalog No. | |



OUTDOOR HARD WIRE OPTIONS

MOUNTING METHODS



DL-AC-FLEX-MC-HW
Fixed Mounting U Clip
(Clear Plastic with UV inhibitors)
Dims: 1/2"H x 3/8"W x 1-5/16"L◆
NOTE: 2 clips per section included.
Required for all hardwire applications



DL-AC-FLEX-MC
Plastic Snap-in Mounting "U" Clip
(Clear Plastic with UV inhibitors)
Dims: 1/2"H x 1"W x 1"L◆
Recommended: 1 clip every 6"



DL-AC-FLEX-MC-M
Metal Snap-in Mounting "U" Clip
(Stainless Spring Steel)
Dims: 1/2"H x 5/8"W x 1"L◆
Recommended: 1 clip every 6"



DL-AC-FLEX-CH4
4' Mounting Channel
(Clear Plastic with UV inhibitors)
Dims: 1/2"H x 1"W x 48"L◆

DL-AC-FLEX-CH8
8' Mounting Channel
(Clear Plastic with UV inhibitors)
Dims: 1/2"H x 1"W x 96"L◆

NEW!



DL-AC-FLEX-CH6M
6-1/2' Metal Mounting Channel
Dims: 1/2"H x 1-1/16"W x 78-3/4"L◆



DL-AC-FLEX-CH-M-BR
Face up Metal Mounting Clip for Metal Channel
Dims: 11/16"H x 1-1/16"W x 1"L◆



DL-AC-FLEX-CH-M-45BR
45° Metal Mounting Clip for Metal Channel
Dims: 1-1/8"H x 1-1/8"W x 1"L◆



CH-FX-41
Anodized Aluminum Channel Only
Dims: 7/8"H x 1-3/8"W x 78-3/4"L◆

See product spec for mounting options and accessories.

TERMINATING OPTION ††



DL-AC-FLEX-HW08-ODF
8' SJT cable with NEMA 4X rated enclosure with connection to 1/2"Ø non-metallic flexible conduit
DL-AC-FLEX-HW20-ODF
20' SJT cable with NEMA 4X rated enclosure with connection to 1/2"Ø non-metallic flexible conduit



DL-AC-FLEX-HW08-ODR
8' cable with NEMA 4X rated enclosure with connection to 1/2"Ø non-metallic rigid conduit
DL-AC-FLEX-HW20-ODR
20' cable with NEMA 4X rated enclosure with connection to 1/2"Ø non-metallic rigid conduit

ACCESSORIES



DL-AC-FLEX-CC3
3" Connecting Cable◆
DL-AC-FLEX-CC6
6" Connecting Cable◆
DL-AC-FLEX-CC12
12" Connecting Cable◆
DL-AC-FLEX-CC24
24" Connecting Cable◆



DL-AC-FLEX-EC
End Cap (Clear)
Note:
End cap must be used at the end of each run.

PER UL AND ETL SAFETY STANDARDS, ALL AC LED STRIPS ARE NOT FIELD CUTTABLE.

Field cutting will result in voiding the product warranty, possible electrical shock and damaging of the product.
Refer to Page 8 for all cautions

◆Nominal

††Factory custom cut in precise 4" increments. Product is assembled to order and shipped ready for installation.
Refer to installation instructions for complete details on use.



DL-AC-FLEX (OUTDOOR APPLICATIONS)

LED FLEXIBLE LINEAR
AC FLEXIBLE LINEAR STRIP

PATENT NO.:9,671,075
PATENT NO.:9,746,144

| | |
|-------------|--|
| Type | |
| Project | |
| Catalog No. | |



PLUG AND PLAY OPTIONS

MOUNTING METHODS



DL-AC-FLEX-MC
Plastic Snap-in Mounting "U" Clip
(Clear Plastic with UV inhibitors)
Dims: 1/2"H x 1"W x 1"L ♦
Recommended: 1 clip every 6"



DL-AC-FLEX-MC-M
Metal Snap-in Mounting "U" Clip
(Stainless Spring Steel)
Dims: 1/2"H x 5/8"W x 1"L ♦
Recommended: 1 clip every 6"



DL-AC-FLEX-CH4
4' Mounting Channel
(Clear Plastic with UV inhibitors)
Dims: 1/2"H x 1"W x 48"L ♦



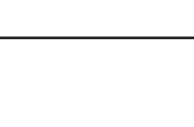
DL-AC-FLEX-CH8
8' Mounting Channel
(Clear Plastic with UV inhibitors)
Dims: 1/2"H x 1"W x 96"L ♦



DL-AC-FLEX-CH6M
6-1/2' Metal Mounting Channel
Dims: 1/2"H x 1-1/16"W x 78-3/4"L ♦



DL-AC-FLEX-CH-M-BR
Face up Metal Mounting Clip for Metal Channel
Dims: 11/16"H x 1-1/16"W x 1"L ♦



DL-AC-FLEX-CH-M-45BR
45° Metal Mounting Clip for Metal Channel
Dims: 1-1/8"H x 1-1/8"W x 1"L ♦

TERMINATING OPTIONS ††



DL-AC-FLEX-PC2
2' Cord and Power Plug with surge protection
for runs < 75'



DL-AC-FLEX-PC6
5' Cord and Power Plug with surge protection
for runs < 75'

ACCESSORIES



DL-AC-FLEX-CC3
3" Connecting Cable ♦
DL-AC-FLEX-CC6
6" Connecting Cable ♦
DL-AC-FLEX-CC12
12" Connecting Cable ♦
DL-AC-FLEX-CC24
24" Connecting Cable ♦



DL-AC-FLEX-EC
End Cap (Clear)
Note:
End cap must be used at the end of each run.

PER UL AND ETL SAFETY STANDARDS, ALL AC LED STRIPS ARE NOT FIELD CUTTABLE.

Field cutting will result in voiding the product warranty, possible electrical shock and damaging of the product.

Refer to Page 8 for all cautions

♦Nominal

††Factory custom cut in precise 4" increments. Product is assembled to order and shipped ready for installation.

Refer to installation instructions for complete details on use.



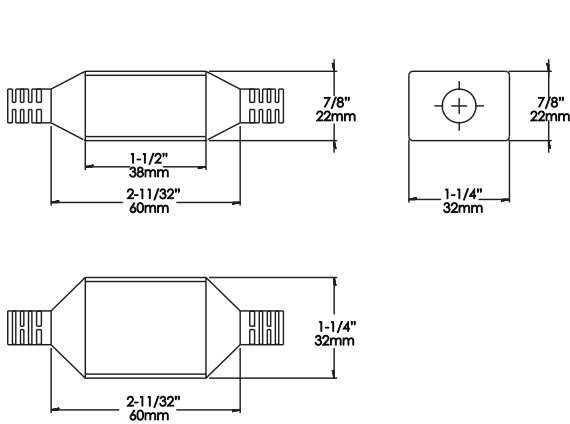
DL-AC-FLEX (OUTDOOR APPLICATIONS)

LED FLEXIBLE LINEAR
AC FLEXIBLE LINEAR STRIP

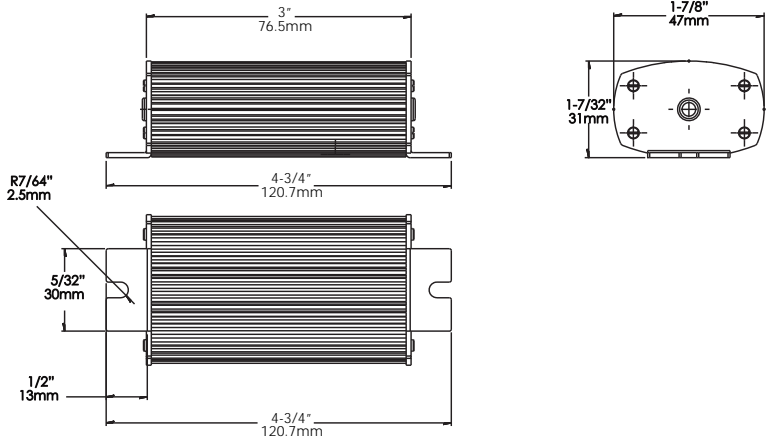
PATENT NO.:9,671,075
PATENT NO.:9,746,144

| | |
|-------------|--|
| Type | |
| Project | |
| Catalog No. | |

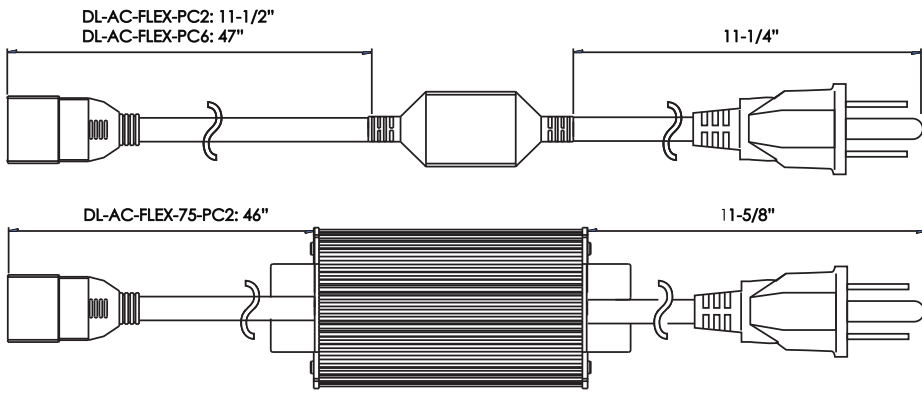
COMPONENT DIMENSIONS



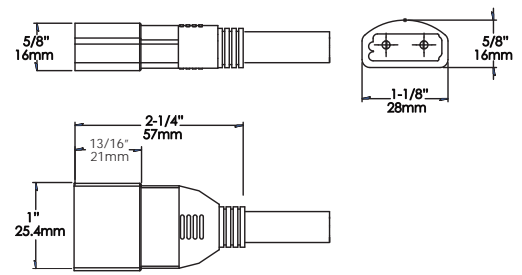
DL-AC-FLEX-PC SURGE MODULE



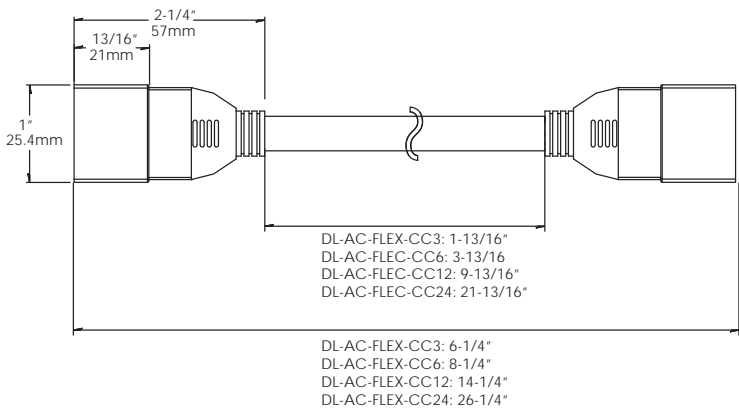
DL-AC-FLEX-75-PC2 SURGE MODULE



PLUG & PLAY INPUT TERMINATION OVERALL LENGTH



DL-AC-FLEX STRIP PC CONNECTOR



DL-AC-FLEX-CC
Connecting Cable

NOTE: ALL DIMENSIONS ARE NOMINAL



www.jescolighting.com
support@jecolighting.com
Tech Support: 855.592.0029

15 Harbor Park Drive
Port Washington, NY 11050
Main Line: 800.527.7796
Fax Line: 855.265.5768

219 South 6th Ave
City of Industry, CA 91746
Main Line: 855.654.0110
Fax Line: 626.333.2955

JW 09/05/2018

Specifications subject to change without notice.

Page 4 of 8



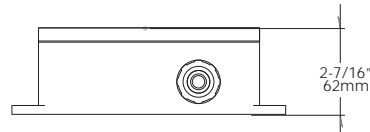
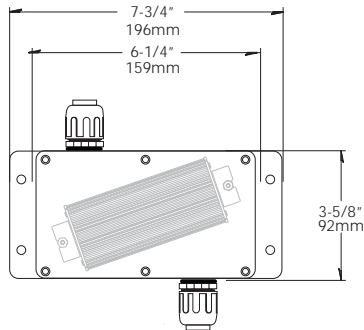
DL-AC-FLEX (OUTDOOR APPLICATIONS)

LED FLEXIBLE LINEAR
AC FLEXIBLE LINEAR STRIP

PATENT NO.:9,671,075
PATENT NO.:9,746,144

| | |
|-------------|--|
| Type | |
| Project | |
| Catalog No. | |

COMPONENTS DIMENSIONS CONTINUED



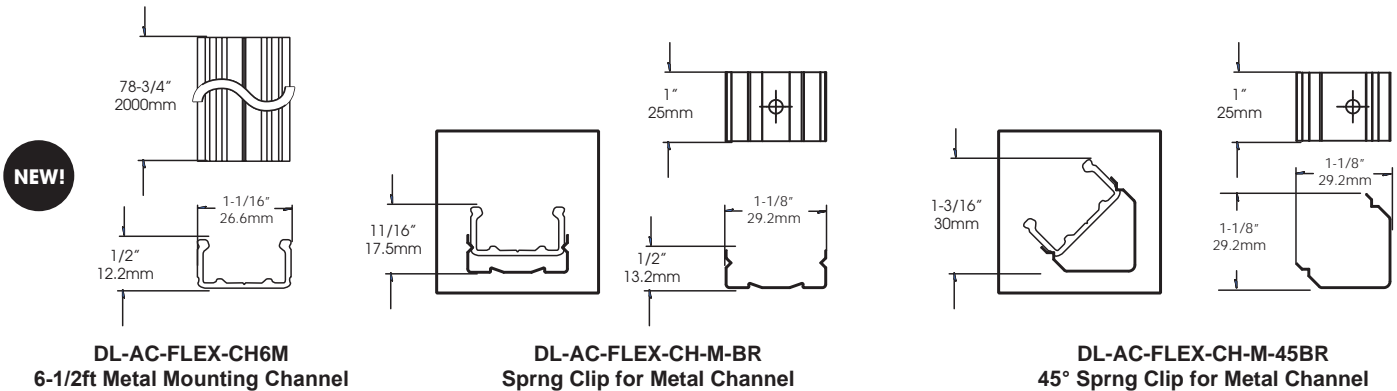
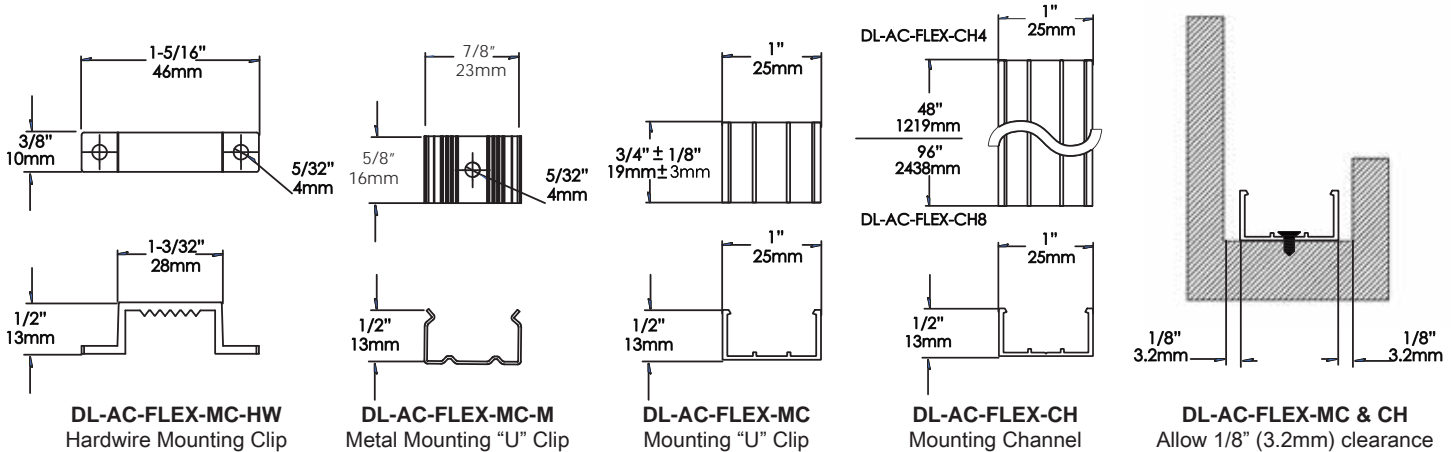
DL-AC-FLEX-HW-(08/20)-ODF

NEMA 4X rated enclosure with connection to 1/2"Ø non-metallic flexible conduit

DL-AC-FLEX-HW-(08/20)-ODR

NEMA 4X rated enclosure with connection to 1/2"Ø non-metallic rigid conduit

MOUNTING ACCESSORIES DIMENSIONS



NOTE: ALL DIMENSIONS ARE NOMINAL



www.jescolighting.com
support@jecolighting.com
Tech Support: 855.592.0029

15 Harbor Park Drive
Port Washington, NY 11050
Main Line: 800.527.7796
Fax Line: 855.265.5768

219 South 6th Ave
City of Industry, CA 91746
Main Line: 855.654.0110
Fax Line: 626.333.2955

JW 09/05/2018

Specifications subject to change without notice.



DL-AC-FLEX (OUTDOOR APPLICATIONS)

LED FLEXIBLE LINEAR
AC FLEXIBLE LINEAR STRIP

PATENT NO.:9,671,075
PATENT NO.:9,746,144

| | |
|-------------|--|
| Type | |
| Project | |
| Catalog No. | |

PHOTOMETRIC DATA

IES FILE AVAILABLE:



2700K

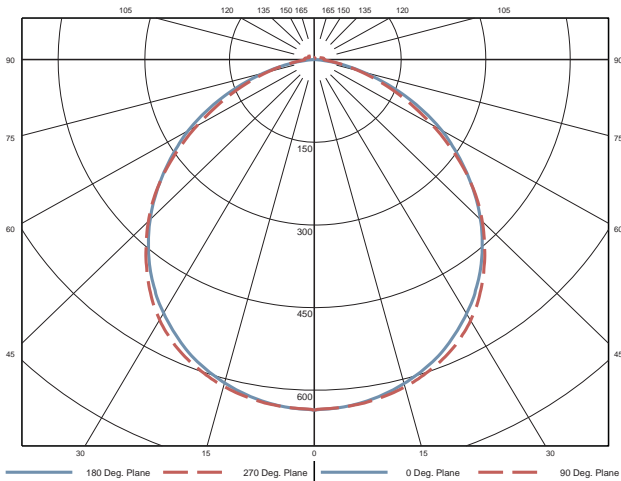


3000K



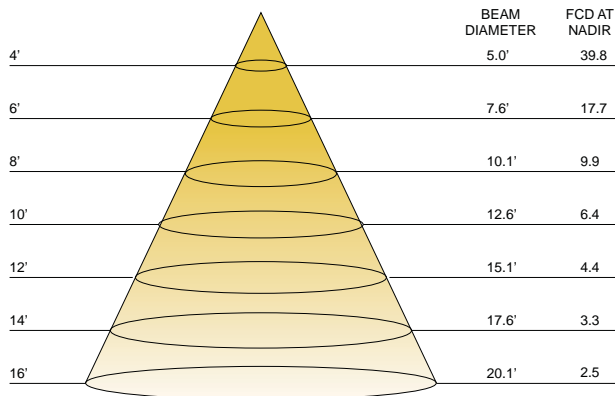
4000K

DISTRIBUTION - POLAR PLOT 3000K*



| Zone | Lumens | % of Luminaire |
|--------|--------|----------------|
| 0-40 | 810 | 46.5% |
| 0-60 | 1258 | 80.3% |
| 0-90 | 1697 | 97.4% |
| 90-180 | 45 | 2.6% |

DISTRIBUTION - CONE OF LIGHT 3000K*



| Mounting Height (Ft.) | Footcandles at Nadir | Diameter (Ft.) |
|-----------------------|----------------------|----------------|
| 4.00 | 39.8 | 5.04 |
| 6.00 | 17.7 | 7.56 |
| 8.00 | 9.94 | 10.1 |
| 10.0 | 6.36 | 12.6 |
| 12.0 | 4.42 | 15.1 |
| 14.0 | 3.25 | 17.6 |
| 16.0 | 2.49 | 20.1 |

*Based on 48" DL-AC-FLEX-30 LED strip



DL-AC-FLEX (OUTDOOR APPLICATIONS)

LED FLEXIBLE LINEAR
AC FLEXIBLE LINEAR STRIP

PATENT NO.:9,671,075
PATENT NO.:9,746,144

| | |
|-------------|--|
| Type | |
| Project | |
| Catalog No. | |

COMPATIBLE DIMMERS up to 110ft continuous run*

| MANUFACTURER | STYLE | MODEL NUMBER | TYPE | CAPACITY | RECOMMENDED FOOTAGE |
|--------------|---------|--------------|------------------------|----------|---------------------|
| Lutron | Diva | DVELV-300 | Electronic Low Voltage | 300W | 50 FEET |
| | Nova T | NTELV-300 | Electronic Low Voltage | 300W | 50 FEET |
| | Nova T | NTELV-600 | Electronic Low Voltage | 600W | 110 FEET |
| | Maestro | MIRELV-600 | Electronic Low Voltage | 600W | 110 FEET |

DIMMING 150FT. CONTINUOUS RUN OF INFINA®*

PARTS REQUIRED (not included)
DIMMER: **LUTRON NOVA-T-NTF-10**
INTERFACE: **LUTRON PHPM-WBX-120-WH**

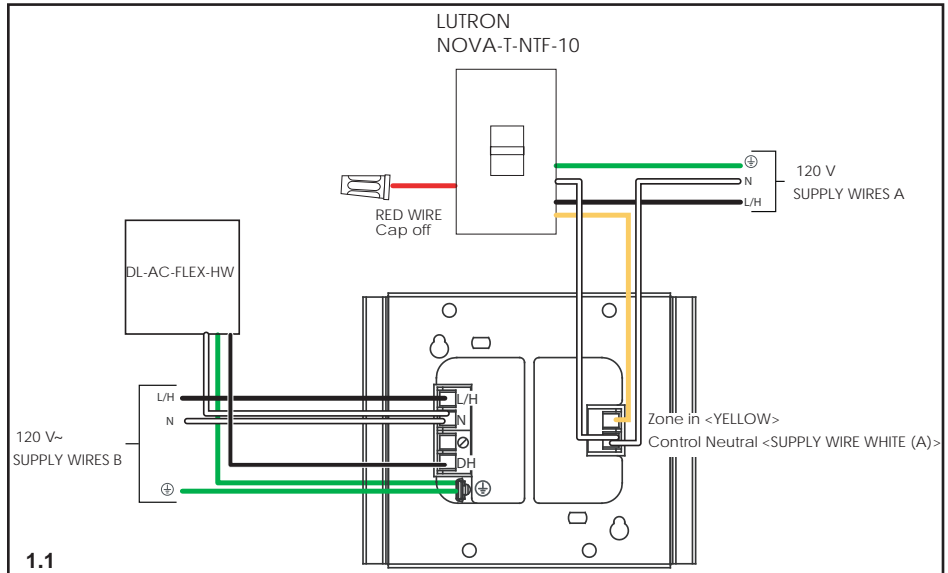
1.1 Suggested wiring with separate power feeds for control and load sides.

1.2 Typical installation with separate power feeds for control and load sides.

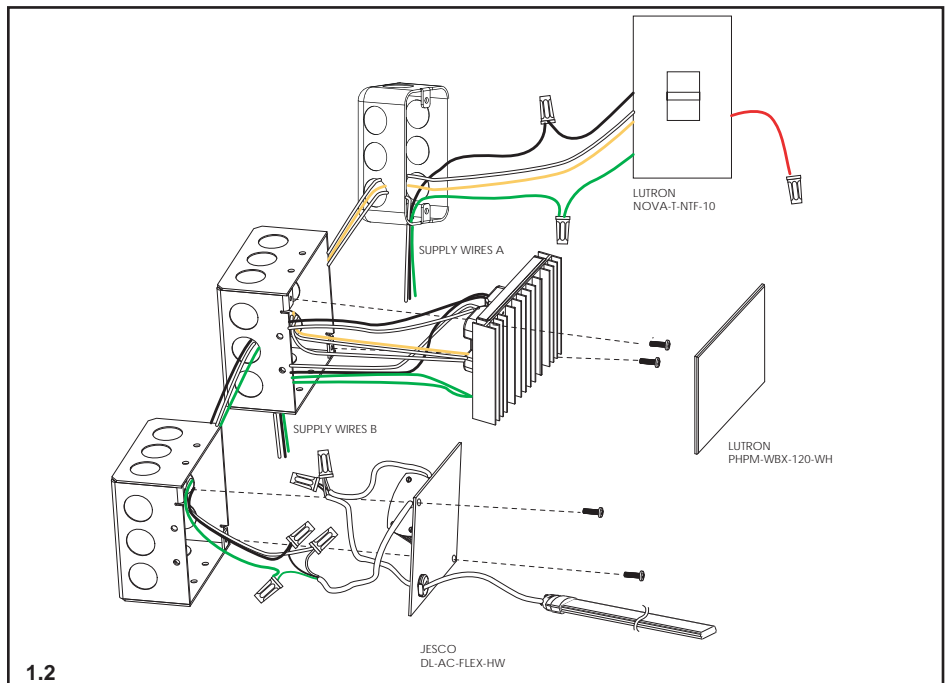
Please check manufacturer's documentations on detailed wiring and installation instructions.

LUTRON PHPM-WBX-120-WH

- Indoor use only.
- minimum load 10W
- Mount in 2-gang U.S. wallbox 3.5 in (89 mm) deep or 4 in x 4 in (102 mm x 102 mm) junction box 2.1 in (53 mm) deep.
- This device generates heat; mount only where ambient temperature is 32 °F to 104 °F (0 °C to 40 °C).
- Mount with arrows facing up to ensure adequate cooling.
- Allow 4.5 in (114 mm) above and below unit and between faceplates when mounting several in a vertical layout.
- Mount so line (mains) voltage wiring is at least 6 ft (1.8 m) from sound or electronic equipment and wiring.



1.1



1.2

* Effectively dim down to 10%

NOTE: All available dimmers have not been tested with INFINA® and there may be several factors during installation that can affect performance. Prior testing of your exact application of INFINA® and your designated dimmer is highly recommended. For dimmers that are not listed, please contact factory.



www.jescolighting.com
support@jecolighting.com
Tech Support: 855.592.0029

15 Harbor Park Drive
Port Washington, NY 11050
Main Line: 800.527.7796
Fax Line: 855.265.5768

219 South 6th Ave
City of Industry, CA 91746
Main Line: 855.654.0110
Fax Line: 626.333.2955

JW 09/05/2018

Specifications subject to change without notice.

Page 7 of 8



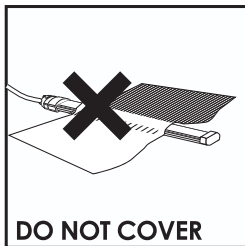
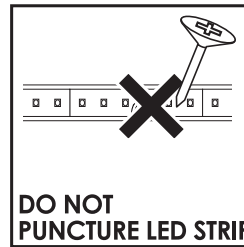
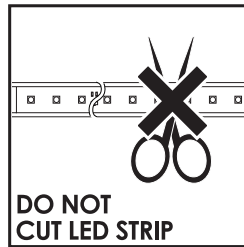
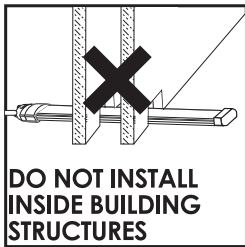
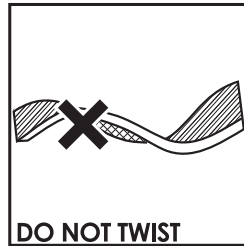
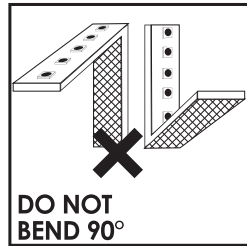
DL-AC-FLEX (OUTDOOR APPLICATIONS)

LED FLEXIBLE LINEAR
AC FLEXIBLE LINEAR STRIP

PATENT NO.:9,671,075
PATENT NO.:9,746,144

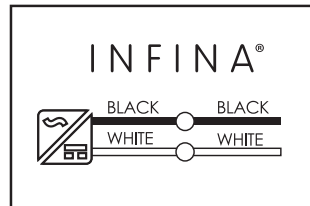
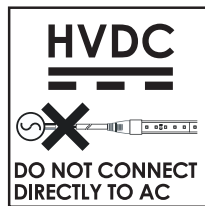
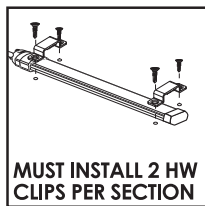
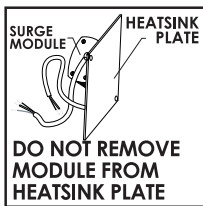
| | |
|-------------|--|
| Type | |
| Project | |
| Catalog No. | |

CAUTION



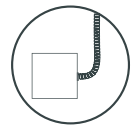
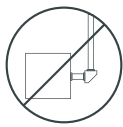
HARDWIRE REFERENCE INSTALLATION SHEET FOR DETAILS

HARDWIRE CONNECTION WIRING

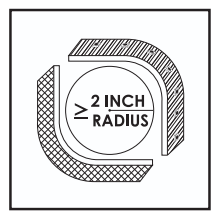
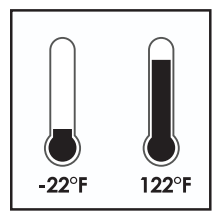


INCORRECT BRANCH CIRCUIT CONNECTION WILL VOID THE WARRANTY OF THE PRODUCT
ON-BOARD COMPONENTS ARE SCEPTIBLE TO DAMAGE FROM INCORRECT WIRING

OUTDOOR DO NOT SUBMERGE IN LIQUID OR IN AREAS WHERE WATER WILL PUDDLE



FLEXIBLE CONDUIT ONLY
MAKE SURE ALL CONNECTIONS ARE SEALED AND WATER TIGHT



NOTE: Avoid installing at locations with prolonged exposure to direct sunlight to prevent extended heat buildup and to maintain optimum operating temperature.

WARRANTY IS VOID IF ANY OF THE ABOVE ARE VIOLATED