



DL-AC-FLEX (INDOOR APPLICATIONS)

INFINA® LED FLEXIBLE LINEAR
AC FLEXIBLE LINEAR STRIP

PATENT NO.:9,671,075
PATENT NO.:9,746,144

Type	
Project	
Catalog No.	



DESCRIPTION

INFINA® is the next generation of high lumen output, specification grade, flexible lighting system that incorporates JESCO's exclusive, patented, constant current, Driverless AC LED technology** which operates directly off of line voltage - no additional power source required and no drivers to hide. With a run length of 150', the product can be dimmed with an ELV dimmer***. The product is mounted either in a channel or with snap-in mounting clips. INFINA® is designed for dry, damp and wet locations. The LEDs are imbedded within a patented, flexible, optically clear thermoplastic jacket. For easy installation, JESCO offers a full complement of connectors.

FEATURES

- Provides up to 555 lm from 4.95W with an efficacy of 112 lm/W
- Patented constant current IC's provide uniform intensity over the entire run
- 3 Step Mac Adam LEDs
- JESCO's exclusive Driverless AC LED** technology incorporated within our patented, flexible, optically clear thermoplastic jacket provides for true 50,000 hours of operation with 70% lumen maintenance
- Line voltage – No power supplies to hide
- Run length of 150 feet (4" increments)
- Rated for Indoor and Outdoor applications
- High CRI of 80+
- Available in 2400K, 2700K, 3000K, 3500K, 4000K, 5000K.*
- Multiple mounting options available

SERIES	COLOR	
DL-AC-FLEX		+ Input Termination Options:
	24 - 2400K	Hard Wire Pg. 2
	27 - 2700K	Plug & Play Pg. 3
	30 - 3000K	
	35 - 3500K	
	40 - 4000K	
	50 - 5000K	

SPECIFICATIONS

Input Voltage	120V AC					
Wattage	4.95W per ft.					
CCT	2400K	2700K	3000K	3500K	4000K	5000K
Lumen*	430 lm	480 lm	500 lm	525 lm	555 lm	580 lm
Efficacy lm/W	87	97	101	106	112	117
Power Factor	0.95					
THD	48					
Max Run / Min Run	150ft. / 4in.					
Beam Angle	160°					
Lumen Maintenance†	50,000 hours					
Dimming	ELV*** (See page 7 for detail)					
Dimensions‡	7/8" W x 1/4" H					
Environment	Indoor/Outdoor - dry, damp and wet					
Operating Temp.	-22°F to 122°F					
Certifications	UL - Hard Wire Applications ETL - Plug & Play applications					
Warranty	5 Years*. See published warranty terms for detailed information.					



* Contact factory for custom colors
 ** Powered by Mag-LED
 *** Never exceed dimmer max wattage, effectively dim down to 10%
 For dimming options, see page 8 for detail.
 † TM-21 calculation based on LM80 report
 ‡ Nominal

EXAMPLE: DL-AC-FLEX-30

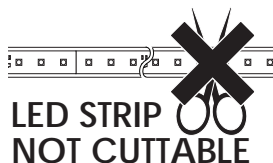
PER UL AND ETL SAFETY STANDARDS, ALL AC LED STRIPS ARE NOT FIELD CUTTABLE.

Field cutting will result in voiding the product warranty, possible electrical shock and damaging of the product.

Factory custom cut in precise 4" increments.

Product is assembled to order and shipped ready for installation.

♣ A 5 YEAR LIMITED WARRANTY for applications that necessitate up to 16 consecutive operational hours per 24 hour period.
 A 2 YEAR LIMITED WARRANTY for applications that necessitate more than 16 consecutive operational hours per 24 hour period.



Refer to Page 8 for all cautions



DL-AC-FLEX (INFINA®)
Order Calculations Sheet



www.jescolighting.com
 support@jescolighting.com
 Tech Support: 855.592.0029

15 Harbor Park Drive
 Port Washington, NY 11050
 Main Line: 800.527.7796
 Fax Line: 855.265.5768

219 South 6th Ave
 City of Industry, CA 91746
 Main Line: 855.654.0110
 Fax Line: 626.333.2955



DL-AC-FLEX (INDOOR APPLICATIONS)

INFINA® LED FLEXIBLE LINEAR
AC FLEXIBLE LINEAR STRIP

PATENT NO.:9,671,075
PATENT NO.:9,746,144

Type	
Project	
Catalog No.	



INDOOR HARD WIRE OPTIONS

MOUNTING METHODS



DL-AC-FLEX-MC-HW
Fixed Mounting U Clip
(Clear Plastic with UV inhibitors)
Dims: 1/2"H x 3/8"W x 1-5/16"L◆
NOTE: 2 clips per section included.
Required for all hardwire applications



DL-AC-FLEX-MC-M
Metal Snap-in Mounting "U" Clip
(Stainless Spring Steel)
Dims: 1/2"H x 5/8"W x 1"L◆
Recommended: 1 clip every 6"



DL-AC-FLEX-CH4
4' Mounting Channel
(Clear Plastic with UV inhibitors)
Dims: 1/2"H x 1"W x 48"L◆

DL-AC-FLEX-CH8
8' Mounting Channel
(Clear Plastic with UV inhibitors)
Dims: 1/2"H x 1"W x 96"L◆



NEW!

DL-AC-FLEX-CH6M
6-1/2' Metal Mounting Channel
Dims: 1/2"H x 1-1/16"W x 78-3/4"L◆



DL-AC-FLEX-CH-M-BR
Face up Metal Mounting Clip for Metal Channel
Dims: 11/16"H x 1-1/16"W x 1"L◆



DL-AC-FLEX-CH6M-45
45° Metal Mounting Channel
Dims: 1-1/16"H x 1"W x 78-3/4"L◆



CH-FX-41-FR
Anodized Aluminum Channel Set with Frosted
Lens Cover
Dims: 1-3/4"H x 1-3/8"W x 78-3/4"L◆

CH-FX-41
Anodized Aluminum Channel Only
Dims: 7/8"H x 1-3/8"W x 78-3/4"L◆

See product spec for mounting options and accessories.

TERMINATING OPTIONS WITH SURGE SUPPRESSOR ††



DL-AC-FLEX-HW-08
8' SJT cable with integral heat sink coverplate♣

DL-AC-FLEX-HW-20
20' SJT cable with integral heat sink coverplate♣



DL-AC-FLEX-HW-08-CNDT
8' SJT cable with Integral heat sink coverplate with
connection to 1/2" flexible aluminum conduit ♣

DL-AC-FLEX-HW-20-CNDT
20' SJT cable with Integral heat sink coverplate with
connection to 1/2" flexible aluminum conduit ♣



DL-AC-FLEX-08-RADJ
8' SJT cable with Integral heat sink coverplate
with 90° connection to 3/4" rigid raceway♣

DL-AC-FLEX-20-RADJ
20' SJT cable with Integral heat sink coverplate
with 90° connection to 3/4" rigid raceway♣

ACCESSORIES



DL-AC-FLEX-CC3
3" Connecting Cable◆

DL-AC-FLEX-CC6
6" Connecting Cable◆

DL-AC-FLEX-CC12
12" Connecting Cable◆

DL-AC-FLEX-CC24
24" Connecting Cable◆



DL-AC-FLEX-FLEX-CON
Flexible Connector
(For corners with tight radius bend)



DL-AC-FLEX-EC
End Cap (Clear)
Note:
End cap must be used at the end of each run.

PER UL AND ETL SAFETY STANDARDS, ALL AC LED STRIPS ARE NOT FIELD CUTTABLE.

Field cutting will result in voiding the product warranty, possible electrical shock and damaging of the product.

Refer to Page 8 for all cautions

♣Integral heat sink coverplate is made to fit on 4 inch square (double-gang) deep box.

◆Nominal

††Factory custom cut in precise 4" increments. Product is assembled to order and shipped ready for installation.

Refer to installation instructions for complete details on use.

NOTE: COVERPLATE ASSEMBLY MUST BE USED IN CONJUNCTION WITH DL-AC-FLEX STRIP FOR ALL INDOOR HARD WIRING APPLICATIONS.

JESCO
LIGHTING GROUP

© 2015 JESCO LIGHTING GROUP, LLC

www.jescolighting.com
support@jescolighting.com
Tech Support: 855.592.0029

15 Harbor Park Drive
Port Washington, NY 11050
Main Line: 800.527.7796
Fax Line: 855.265.5768

219 South 6th Ave
City of Industry, CA 91746
Main Line: 855.654.0110
Fax Line: 626.333.2955

Specifications subject to change without notice.

JW 03/22/2019

Page 2 of 8



DL-AC-FLEX (INDOOR APPLICATIONS)

INFINA® LED FLEXIBLE LINEAR
AC FLEXIBLE LINEAR STRIP

PATENT NO.:9,671,075
PATENT NO.:9,746,144

Type	
Project	
Catalog No.	



PLUG AND PLAY OPTIONS

MOUNTING METHODS



DL-AC-FLEX-MC-M
Metal Snap-in Mounting "U" Clip
(Stainless Spring Steel)
Dims: 1/2"H x 5/8"W x 1"L ♦
Recommended: 1 clip every 6"



DL-AC-FLEX-CH4
4' Mounting Channel
(Clear Plastic with UV inhibitors)
Dims: 1/2"H x 1"W x 48"L ♦

DL-AC-FLEX-CH8
8' Mounting Channel
(Clear Plastic with UV inhibitors)
Dims: 1/2"H x 1"W x 96"L ♦



NEW!

DL-AC-FLEX-CH6M
6-1/2' Metal Mounting Channel
Dims: 1/2"H x 1-1/16"W x 78-3/4"L ♦



DL-AC-FLEX-CH-M-BR
Face up Metal Mounting Clip for Metal Channel
Dims: 11/16"H x 1-1/16"W x 1"L ♦



DL-AC-FLEX-CH6M-45
45° Metal Mounting Channel
Dims: 1-1/16"H x 1"W x 78-3/4"L ♦

TERMINATING OPTIONS WITH SURGE SUPPRESSOR ††



DL-AC-FLEX-PC2
2' Cord and Power Plug with surge protection
for runs < 75'

DL-AC-FLEX-PC6
5' Cord and Power Plug with surge protection
for runs < 75'



DL-AC-FLEX-75-PC2
2' Power Plug with surge protection
for runs > 75'

ACCESSORIES



DL-AC-FLEX-CC3
3" Connecting Cable ♦
DL-AC-FLEX-CC6
6" Connecting Cable ♦
DL-AC-FLEX-CC12
12" Connecting Cable ♦
DL-AC-FLEX-CC24
24" Connecting Cable ♦



DL-AC-FLEX-FLEX-CON
Flexible Connector
(For corners with tight radius bend)



DL-AC-FLEX-EC
End Cap (Clear)
Note:
End cap must be used at the end of each run.

PER UL AND ETL SAFETY STANDARDS, ALL AC LED STRIPS ARE NOT FIELD CUTTABLE.
Field cutting will result in voiding the product warranty, possible electrical shock and damaging of the product.
Refer to Page 8 for all cautions

♦Integral heat sink coverplate is made to fit on 4 inch square (double-gang) deep box.

♦Nominal

††Factory custom cut in precise 4" increments. Product is assembled to order and shipped ready for installation. Refer to installation instructions for complete details on use.

NOTE: COVERPLATE ASSEMBLY MUST BE USED IN CONJUNCTION WITH DL-AC-FLEX STRIP FOR ALL INDOOR HARD WIRING APPLICATIONS.



© 2015 JESCO LIGHTING GROUP, LLC

www.jescolighting.com
support@jescolighting.com
Tech Support: 855.592.0029

15 Harbor Park Drive
Port Washington, NY 11050
Main Line: 800.527.7796
Fax Line: 855.265.5768

219 South 6th Ave
City of Industry, CA 91746
Main Line: 855.654.0110
Fax Line: 626.333.2955



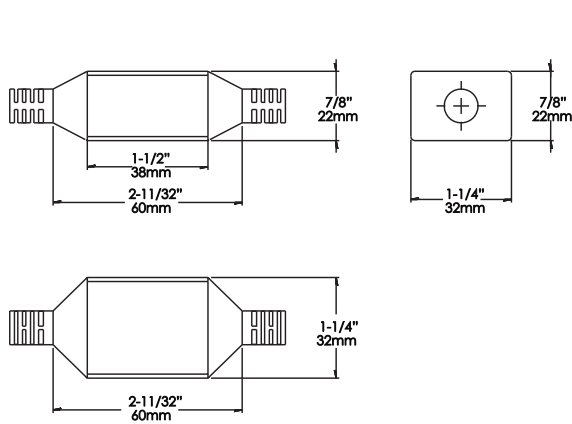
DL-AC-FLEX (INDOOR APPLICATIONS)

INFINA® LED FLEXIBLE LINEAR
AC FLEXIBLE LINEAR STRIP

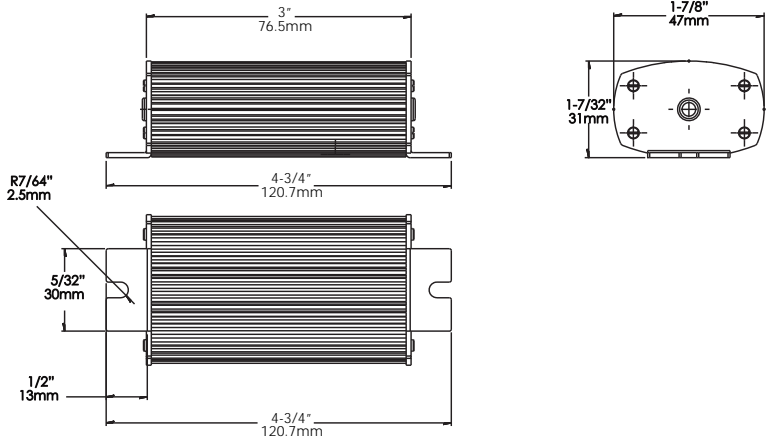
PATENT NO.:9,671,075
PATENT NO.:9,746,144

Type	
Project	
Catalog No.	

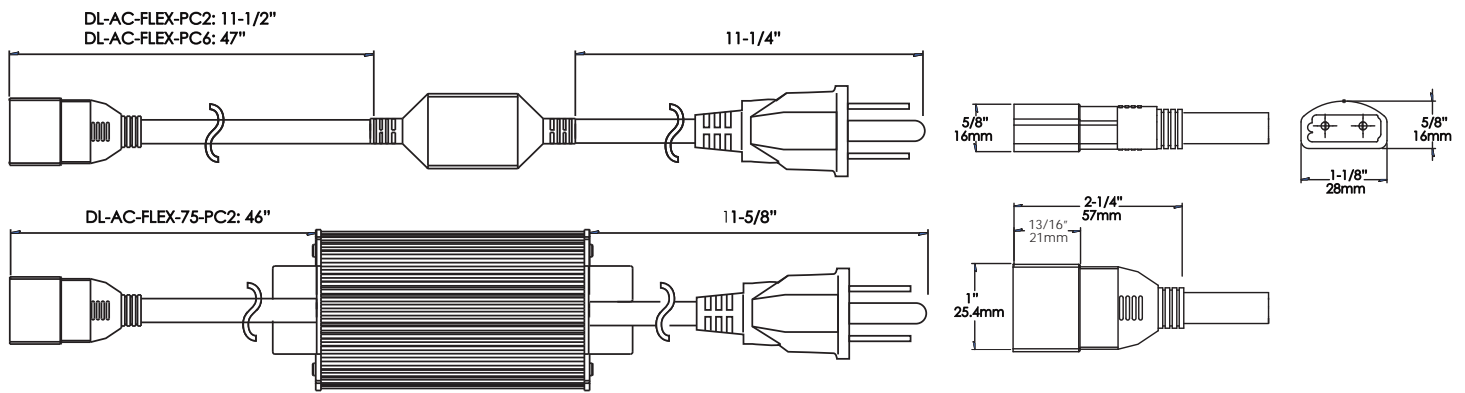
COMPONENT DIMENSIONS



DL-AC-FLEX-PC SURGE SUPPRESSOR

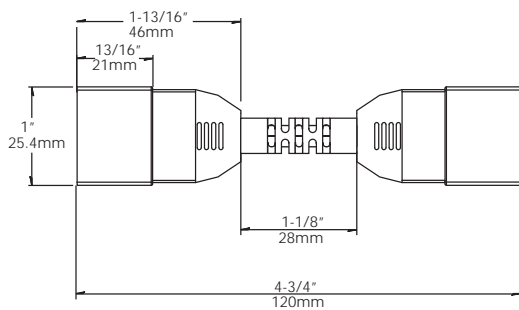


DL-AC-FLEX-75-PC2 SURGE SUPPRESSOR

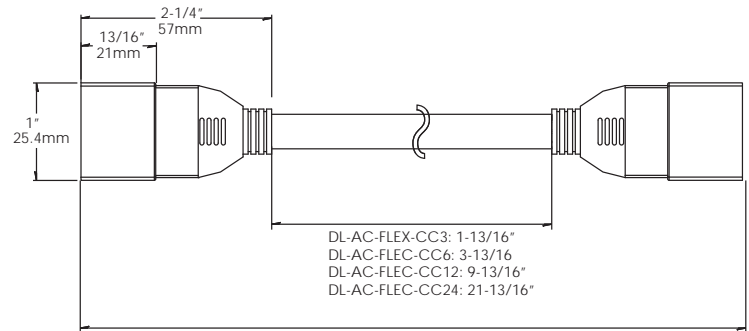


PLUG & PLAY INPUT TERMINATION OVERALL LENGTH

DL-AC-FLEX STRIP PC CONNECTOR



DL-AC-FLEX-FLEX-CON
Flexible Connecting Cable (Indoor Only)



DL-AC-FLEX-CC
Connecting Cable

DL-AC-FLEX-CC3: 1-13/16"
DL-AC-FLEX-CC6: 3-13/16"
DL-AC-FLEX-CC12: 9-13/16"
DL-AC-FLEX-CC24: 21-13/16"

DL-AC-FLEX-CC3: 6-1/4"
DL-AC-FLEX-CC6: 8-1/4"
DL-AC-FLEX-CC12: 14-1/4"
DL-AC-FLEX-CC24: 26-1/4"

NOTE: ALL DIMENSIONS ARE NOMINAL



© 2015 JESCO LIGHTING GROUP, LLC

www.jescolighting.com
support@jescolighting.com
Tech Support: 855.592.0029

15 Harbor Park Drive
Port Washington, NY 11050
Main Line: 800.527.7796
Fax Line: 855.265.5768

219 South 6th Ave
City of Industry, CA 91746
Main Line: 855.654.0110
Fax Line: 626.333.2955

Specifications subject to change without notice.

JW 03/22/2019

Page 4 of 8



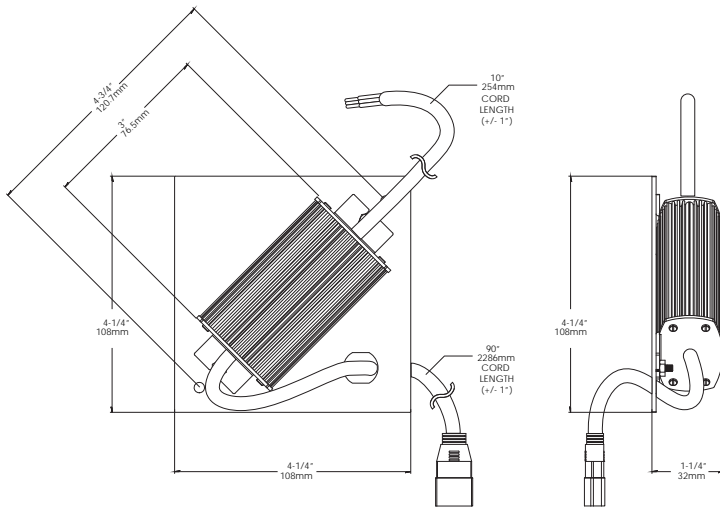
DL-AC-FLEX (INDOOR APPLICATIONS)

INFINA® LED FLEXIBLE LINEAR
AC FLEXIBLE LINEAR STRIP

PATENT NO.:9,671,075
PATENT NO.:9,746,144

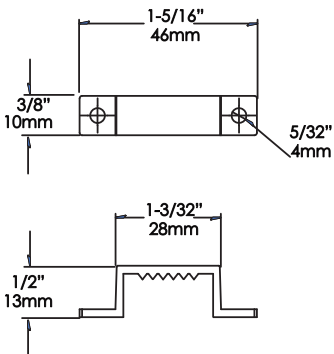
Type	
Project	
Catalog No.	

COMPONENTS DIMENSIONS CONTINUED

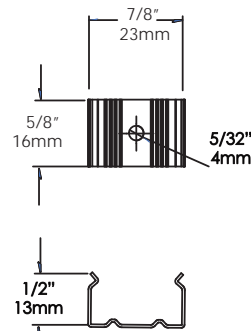


DL-AC-FLEX-HW-(08/20)
Surge Suppressor with Integral Heatsink Plate
Made to fit on 4" deep junction box (min. 2" depth)

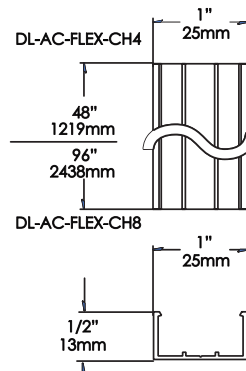
MOUNTING ACCESSORIES DIMENSIONS



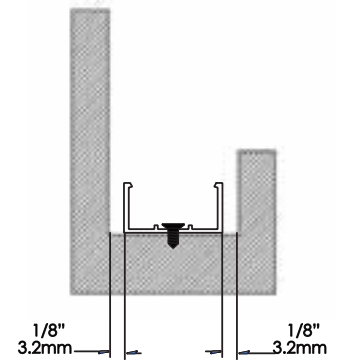
DL-AC-FLEX-MC-HW
Hardwire Mounting Clip



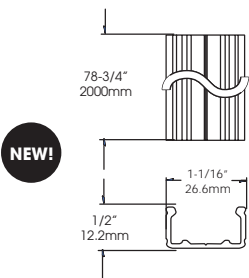
DL-AC-FLEX-MC-M
Metal Mounting "U" Clip



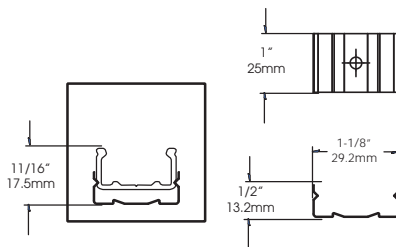
DL-AC-FLEX-CH
Mounting Channel



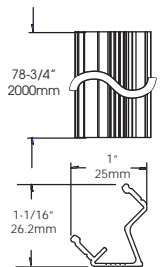
DL-AC-FLEX-MC & CH
Allow 1/8" (3.2mm) clearance



DL-AC-FLEX-CH6M
6-1/2ft Metal Mounting Channel



DL-AC-FLEX-CH-M-BR
Spring Clip for Metal Channel



DL-AC-FLEX-CH6M-45
45° Metal Channel

NOTE: ALL DIMENSIONS ARE NOMINAL

JESCO
LIGHTING GROUP

© 2015 JESCO LIGHTING GROUP, LLC

www.jescolighting.com
support@jescolighting.com
Tech Support: 855.592.0029

15 Harbor Park Drive
Port Washington, NY 11050
Main Line: 800.527.7796
Fax Line: 855.265.5768

219 South 6th Ave
City of Industry, CA 91746
Main Line: 855.654.0110
Fax Line: 626.333.2955

Specifications subject to change without notice.

JW 03/22/2019

Page 5 of 8



DL-AC-FLEX (INDOOR APPLICATIONS)

INFINA® LED FLEXIBLE LINEAR
AC FLEXIBLE LINEAR STRIP

PATENT NO.:9,671,075
PATENT NO.:9,746,144

Type	
Project	
Catalog No.	

PHOTOMETRIC DATA

IES FILE AVAILABLE:



2700K

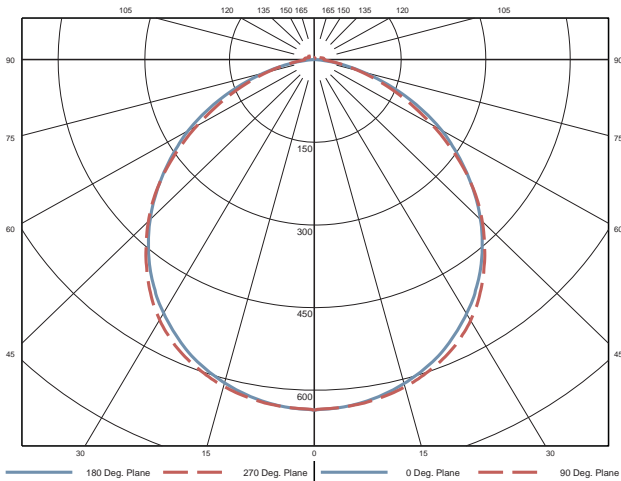


3000K



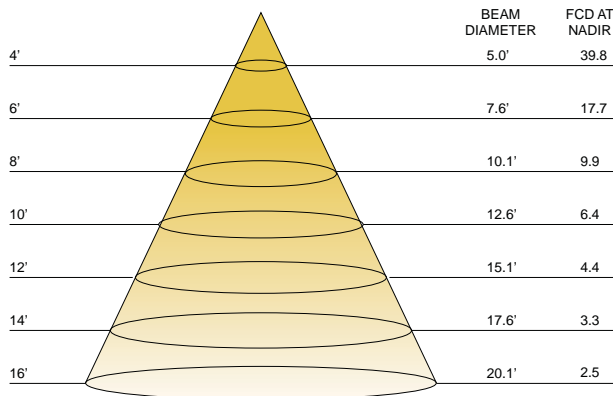
4000K

DISTRIBUTION - POLAR PLOT 3000K*



Zone	Lumens	% of Luminaire
0-40	810	46.5%
0-60	1258	80.3%
0-90	1697	97.4%
90-180	45	2.6%

DISTRIBUTION - CONE OF LIGHT 3000K*



Mounting Height (Ft.)	Footcandles at Nadir	Diameter (Ft.)
4.00	39.8	5.04
6.00	17.7	7.56
8.00	9.94	10.1
10.0	6.36	12.6
12.0	4.42	15.1
14.0	3.25	17.6
16.0	2.49	20.1

*Based on 48" DL-AC-FLEX-30 LED strip



© 2015 JESCO LIGHTING GROUP, LLC

www.jescolighting.com
support@jescolighting.com
Tech Support: 855.592.0029

15 Harbor Park Drive
Port Washington, NY 11050
Main Line: 800.527.7796
Fax Line: 855.265.5768

219 South 6th Ave
City of Industry, CA 91746
Main Line: 855.654.0110
Fax Line: 626.333.2955

Specifications subject to change without notice.

JW 03/22/2019

Page 6 of 8



DL-AC-FLEX (INDOOR APPLICATIONS)

INFINA® LED FLEXIBLE LINEAR
AC FLEXIBLE LINEAR STRIP

PATENT NO.:9,671,075
PATENT NO.:9,746,144

Type	
Project	
Catalog No.	

COMPATIBLE DIMMERS up to 110ft continuous run*

MANUFACTURER	STYLE	MODEL NUMBER	TYPE	CAPACITY	RECOMMENDED FOOTAGE
Lutron	Diva	DVELV-300	Electronic Low Voltage	300W	50 FEET
	Nova T	NTELV-300	Electronic Low Voltage	300W	50 FEET
	Nova T	NTELV-600	Electronic Low Voltage	600W	110 FEET
	Maestro	MIRELV-600	Electronic Low Voltage	600W	110 FEET

DIMMING 150FT. CONTINUOUS RUN OF INFINA®*

PARTS REQUIRED (not included)
DIMMER: **LUTRON NOVA-T-NTF-10**
INTERFACE: **LUTRON PHPM-WBX-120-WH**

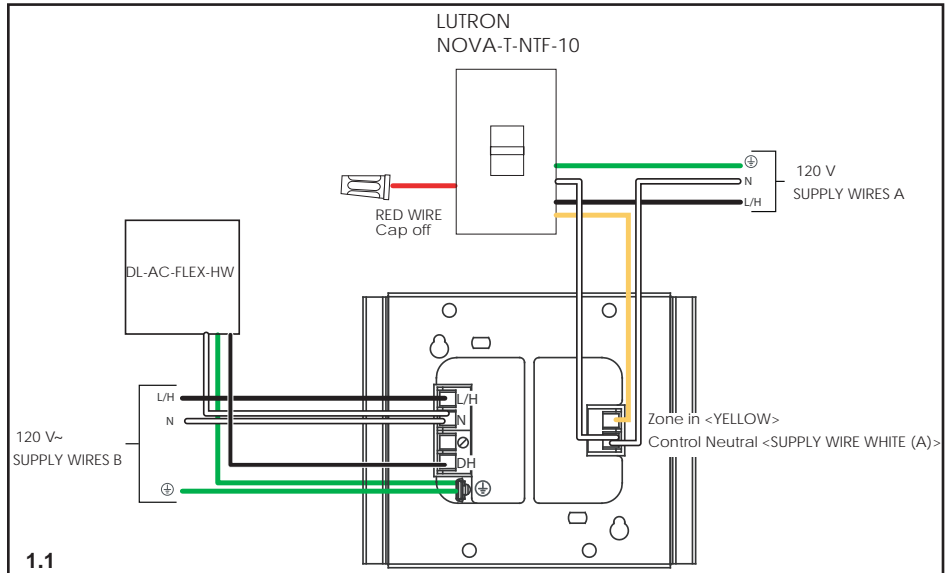
1.1 Suggested wiring with separate power feeds for control and load sides.

1.2 Typical installation with separate power feeds for control and load sides.

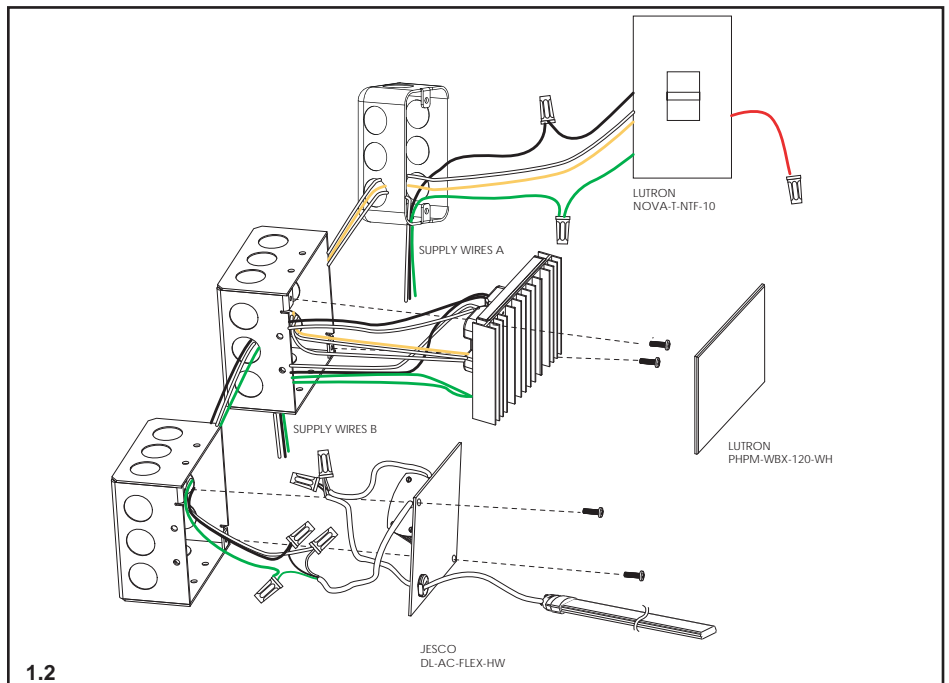
Please check manufacturer's documentations on detailed wiring and installation instructions.

LUTRON PHPM-WBX-120-WH

- Indoor use only.
- minimum load 10W
- Mount in 2-gang U.S. wallbox 3.5 in (89 mm) deep or 4 in x 4 in (102 mm x 102 mm) junction box 2.1 in (53 mm) deep.
- This device generates heat; mount only where ambient temperature is 32 °F to 104 °F (0 °C to 40 °C).
- Mount with arrows facing up to ensure adequate cooling.
- Allow 4.5 in (114 mm) above and below unit and between faceplates when mounting several in a vertical layout.
- Mount so line (mains) voltage wiring is at least 6 ft (1.8 m) from sound or electronic equipment and wiring.



1.1



1.2

* Effectively dim down to 10%

NOTE: All available dimmers have not been tested with INFINA® and there may be several factors during installation that can affect performance. Prior testing of your exact application of INFINA® and your designated dimmer is highly recommended. For dimmers that are not listed, please contact factory.

JESCO
LIGHTING GROUP

© 2015 JESCO LIGHTING GROUP, LLC

www.jescolighting.com
support@jescolighting.com
Tech Support: 855.592.0029

15 Harbor Park Drive
Port Washington, NY 11050
Main Line: 800.527.7796
Fax Line: 855.265.5768

219 South 6th Ave
City of Industry, CA 91746
Main Line: 855.654.0110
Fax Line: 626.333.2955



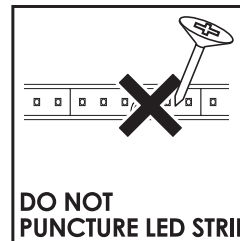
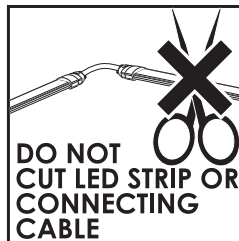
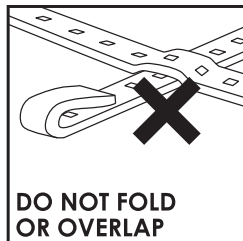
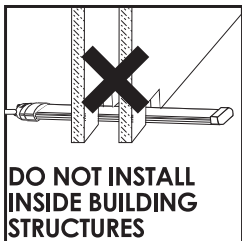
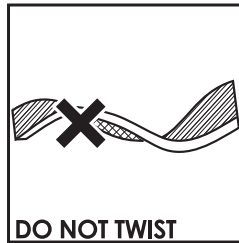
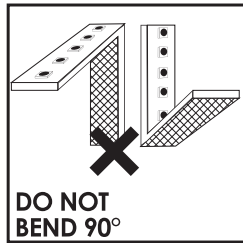
DL-AC-FLEX (INDOOR APPLICATIONS)

INFINA® LED FLEXIBLE LINEAR
AC FLEXIBLE LINEAR STRIP

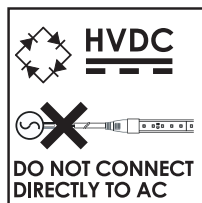
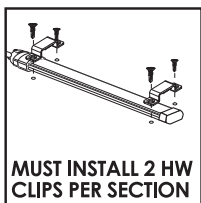
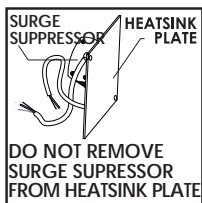
PATENT NO.:9,671,075
PATENT NO.:9,746,144

Type	
Project	
Catalog No.	

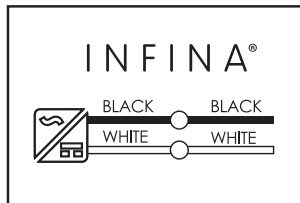
CAUTION



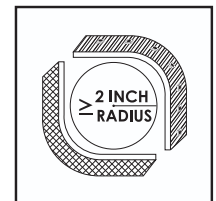
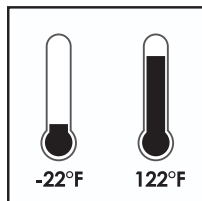
HARDWIRE REFERENCE INSTALLATION SHEET FOR DETAILS



HARDWIRE CONNECTION WIRING



INCORRECT BRANCH CIRCUIT CONNECTION WILL VOID THE WARRANTY OF THE PRODUCT
ON-BOARD COMPONENTS ARE SCEPTIBLE TO DAMAGE FROM INCORRECT WIRING



NOTE: Avoid installing at locations with prolonged exposure to direct sunlight to prevent extended heat buildup and to prevent irreversible damages on the LED.

WARRANTY IS VOID IF ANY OF THE ABOVE ARE VIOLATED

A 5 YEAR LIMITED WARRANTY for applications that necessitate up to 16 consecutive operational hours per 24 hour period.
A 2 YEAR LIMITED WARRANTY for applications that necessitate more than 16 consecutive operational hours per 24 hour period.



www.jescolighting.com
support@jescolighting.com
Tech Support: 855.592.0029

15 Harbor Park Drive
Port Washington, NY 11050
Main Line: 800.527.7796
Fax Line: 855.265.5768

219 South 6th Ave
City of Industry, CA 91746
Main Line: 855.654.0110
Fax Line: 626.333.2955