



# DL-AC-FLEX (OUTDOOR APPLICATIONS)

LED FLEXIBLE LINEAR  
AC FLEXIBLE LINEAR STRIP

PATENT NO.: 9,671,075  
PATENT NO.: 9,746,144

Type	
Project	
Catalog No.	



## DESCRIPTION

INFINA® is the next generation of high lumen output, specification grade, flexible lighting system that incorporates JESCO's exclusive, patented, constant current, Driverless AC LED technology\*\* which operates directly off of line voltage - no additional power source required and no drivers to hide. With a run length of 150', the product can be dimmed with an ELV dimmer\*\*\*. The product is mounted either in a channel or with snap-in mounting clips. INFINA® is designed for dry, damp and wet locations. The LEDs are imbedded within a patented, flexible, optically clear thermoplastic jacket. For easy installation, JESCO offers a full complement of connectors.

## FEATURES

- Provides up to 555 lm from 4.95W with an efficacy of 112 lm/W
- Patented constant current IC's provide uniform intensity over the entire run
- 3 Step Mac Adam LEDs
- JESCO's exclusive Driverless AC LED\*\* technology incorporated within our patented, flexible, optically clear thermoplastic jacket provides for true 50,000 hours of operation with 70% lumen maintenance
- Line voltage – No power supplies to hide
- Run length of 150 feet (4" increments)
- Rated for Indoor and Outdoor applications
- High CRI of 80+
- Available in 2400K, 2700K, 3000K, 3500K, 4000K, 5000K.\*
- Multiple mounting options available

### SERIES – COLOR

<b>DL-AC-FLEX</b>	–	<input type="text"/>	+ Input Termination Options:
		24 - 2400K	Hard Wire Pg. 2
		27 - 2700K	Plug & Play Pg. 3
		30 - 3000K	
		35 - 3500K	
		40 - 4000K	
		50 - 5000K	

EXAMPLE: DL-AC-FLEX-30

### PER UL AND ETL SAFETY STANDARDS, ALL AC LED STRIPS ARE NOT FIELD CUTTABLE.

Field cutting will result in voiding the product warranty, possible electrical shock and damaging of the product.

Factory custom cut in precise 4" increments.

Product is assembled to order and shipped ready for installation.



Refer to Page 8 for all cautions

- ♣ A 5 YEAR LIMITED WARRANTY for applications that necessitate up to 16 consecutive operational hours per 24 hour period.
- A 2 YEAR LIMITED WARRANTY for applications that necessitate more than 16 consecutive operational hours per 24 hour period.

## SPECIFICATIONS

<b>Input Voltage</b>	120V AC					
<b>Wattage</b>	4.95W per ft.					
<b>CCT</b>	2400K	2700K	3000K	3500K	4000K	5000K
<b>Lumen*</b>	430 lm	480 lm	500 lm	525 lm	555 lm	580 lm
<b>Efficacy lm/W</b>	87	97	101	106	112	117
<b>Power Factor</b>	0.95					
<b>THD</b>	48					
<b>Max Run / Min Run</b>	150ft. / 4in.					
<b>Beam Angle</b>	160°					
<b>Lumen Maintenance†</b>	50,000 hours					
<b>Dimming</b>	ELV*** (See page 7 for detail)					
<b>Dimensions‡</b>	7/8" W x 1/4" H					
<b>Environment</b>	Indoor/Outdoor - dry, damp and wet					
<b>Operating Temp.</b>	-22°F to 122°F					
<b>Certifications</b>	UL - Hard Wire Applications ETL - Plug & Play applications					
<b>Warranty</b>	5 Years*. See published warranty terms for detailed information.					



- \* Contact factory for custom colors
- \*\* Powered by Mag-LED
- \*\*\* Never exceed dimmer max wattage, effectively dim down to 10%
- For dimming options, see page 8 for detail.
- † TM-21 calculation based on LM80 report
- ‡ Nominal



DL-AC-FLEX (INFINA® )  
Order Calculations Sheet



www.jescolighting.com  
support@jescolighting.com  
Tech Support: 855.592.0029

15 Harbor Park Drive  
Port Washington, NY 11050  
Main Line: 800.527.7796  
Fax Line: 855.265.5768

219 South 6th Ave  
City of Industry, CA 91746  
Main Line: 855.654.0110  
Fax Line: 626.333.2955



# DL-AC-FLEX (OUTDOOR APPLICATIONS)

LED FLEXIBLE LINEAR  
AC FLEXIBLE LINEAR STRIP

PATENT NO.:9,671,075  
PATENT NO.:9,746,144

Type	
Project	
Catalog No.	



## OUTDOOR HARD WIRE OPTIONS

### MOUNTING METHODS



**DL-AC-FLEX-MC-HW**  
Fixed Mounting U Clip  
(Clear Plastic with UV inhibitors)  
Dims: 1/2"H x 3/8"W x 1-5/16"L◆  
NOTE: 2 clips per section included.  
*Required for all hardwire applications*



**DL-AC-FLEX-MC-M**  
Metal Snap-in Mounting "U" Clip  
(Stainless Spring Steel)  
Dims: 1/2"H x 5/8"W x 1"L◆  
*Recommended: 1 clip every 6"*



**DL-AC-FLEX-CH4**  
4' Mounting Channel  
(Clear Plastic with UV inhibitors)  
Dims: 1/2"H x 1"W x 48"L◆

**DL-AC-FLEX-CH8**  
8' Mounting Channel  
(Clear Plastic with UV inhibitors)  
Dims: 1/2"H x 1"W x 96"L◆



NEW!

**DL-AC-FLEX-CH6M**  
6-1/2' Metal Mounting Channel  
Dims: 1/2"H x 1-1/16"W x 78-3/4"L◆



**DL-AC-FLEX-CH-M-BR**  
Face up Metal Mounting Clip for Metal Channel  
Dims: 11/16"H x 1-1/16"W x 1"L◆



**DL-AC-FLEX-CH6M-45**  
45° Metal Mounting Channel  
Dims: 1-1/16"H x 1"W x 78-3/4"L◆



**CH-FX-41**  
Anodized Aluminum Channel Only  
Dims: 7/8"H x 1-3/8"W x 78-3/4"L◆  
  
See product spec for mounting options and accessories.

### TERMINATING OPTION ††



**DL-AC-FLEX-HW08-ODF**  
8' SJT cable with NEMA 4X rated enclosure with connection to 1/2"Ø non-metallic flexible conduit  
**DL-AC-FLEX-HW20-ODF**  
20' SJT cable with NEMA 4X rated enclosure with connection to 1/2"Ø non-metallic flexible conduit



**DL-AC-FLEX-HW08-ODR**  
8' cable with NEMA 4X rated enclosure with connection to 1/2"Ø non-metallic rigid conduit  
**DL-AC-FLEX-HW20-ODR**  
20' cable with NEMA 4X rated enclosure with connection to 1/2"Ø non-metallic rigid conduit

### ACCESSORIES



**DL-AC-FLEX-CC3**  
3" Connecting Cable◆  
**DL-AC-FLEX-CC6**  
6" Connecting Cable◆  
**DL-AC-FLEX-CC12**  
12" Connecting Cable◆  
**DL-AC-FLEX-CC24**  
24" Connecting Cable◆



**DL-AC-FLEX-EC**  
End Cap (Clear)  
**Note:**  
End cap must be used at the end of each run.

**PER UL AND ETL SAFETY STANDARDS, ALL AC LED STRIPS ARE NOT FIELD CUTTABLE.**

Field cutting will result in voiding the product warranty, possible electrical shock and damaging of the product.  
**Refer to Page 8 for all cautions**

◆Nominal

††Factory custom cut in precise 4" increments. Product is assembled to order and shipped ready for installation.  
**Refer to installation instructions for complete details on use.**

**JESCO**  
LIGHTING GROUP

© 2015 JESCO LIGHTING GROUP, LLC

www.jescolighting.com  
support@jecolighting.com  
**Tech Support:** 855.592.0029

15 Harbor Park Drive  
Port Washington, NY 11050  
**Main Line:** 800.527.7796  
**Fax Line:** 855.265.5768

219 South 6th Ave  
City of Industry, CA 91746  
**Main Line:** 855.654.0110  
**Fax Line:** 626.333.2955



# DL-AC-FLEX (OUTDOOR APPLICATIONS)

LED FLEXIBLE LINEAR  
AC FLEXIBLE LINEAR STRIP

PATENT NO.:9,671,075  
PATENT NO.:9,746,144

Type	
Project	
Catalog No.	



## PLUG AND PLAY OPTIONS

### MOUNTING METHODS



**DL-AC-FLEX-MC-M**  
Metal Snap-in Mounting "U" Clip  
(Stainless Spring Steel)  
Dims: 1/2"H x 5/8"W x 1"L ♦  
*Recommended: 1 clip every 6"*



**DL-AC-FLEX-CH4**  
4' Mounting Channel  
(Clear Plastic with UV inhibitors)  
Dims: 1/2"H x 1"W x 48"L ♦

**DL-AC-FLEX-CH8**  
8' Mounting Channel  
(Clear Plastic with UV inhibitors)  
Dims: 1/2"H x 1"W x 96"L ♦

NEW!



**DL-AC-FLEX-CH6M**  
6-1/2' Metal Mounting Channel  
Dims: 1/2"H x 1-1/16"W x 78-3/4"L ♦



**DL-AC-FLEX-CH-M-BR**  
Face up Metal Mounting Clip for Metal Channel  
Dims: 11/16"H x 1-1/16"W x 1"L ♦



**DL-AC-FLEX-CH6M-45**  
45° Metal Mounting Channel  
Dims: 1-1/16"H x 1"W x 78-3/4"L ♦

### TERMINATING OPTIONS ††



**DL-AC-FLEX-PC2**  
2' Cord and Power Plug with surge protection  
for runs < 75'

**DL-AC-FLEX-PC6**  
5' Cord and Power Plug with surge protection  
for runs < 75'



**DL-AC-FLEX-75-PC2**  
2' Power Plug with surge protection  
for runs > 75'

### ACCESSORIES



**DL-AC-FLEX-CC3**  
3" Connecting Cable ♦  
**DL-AC-FLEX-CC6**  
6" Connecting Cable ♦  
**DL-AC-FLEX-CC12**  
12" Connecting Cable ♦  
**DL-AC-FLEX-CC24**  
24" Connecting Cable ♦



**DL-AC-FLEX-EC**  
End Cap (Clear)  
**Note:**  
End cap must be used at the end of each run.

### PER UL AND ETL SAFETY STANDARDS, ALL AC LED STRIPS ARE NOT FIELD CUTTABLE.

Field cutting will result in voiding the product warranty, possible electrical shock and damaging of the product.

**Refer to Page 8 for all cautions**

#### ♦Nominal

††Factory custom cut in precise 4" increments. Product is assembled to order and shipped ready for installation.

Refer to installation instructions for complete details on use.

**JESCO**  
LIGHTING GROUP

© 2015 JESCO LIGHTING GROUP, LLC

www.jescolighting.com  
support@jecolighting.com  
**Tech Support:** 855.592.0029

15 Harbor Park Drive  
Port Washington, NY 11050  
**Main Line:** 800.527.7796  
**Fax Line:** 855.265.5768

219 South 6th Ave  
City of Industry, CA 91746  
**Main Line:** 855.654.0110  
**Fax Line:** 626.333.2955



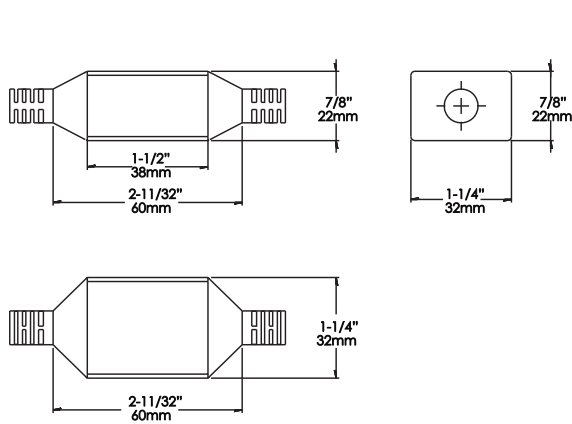
# DL-AC-FLEX (OUTDOOR APPLICATIONS)

LED FLEXIBLE LINEAR  
AC FLEXIBLE LINEAR STRIP

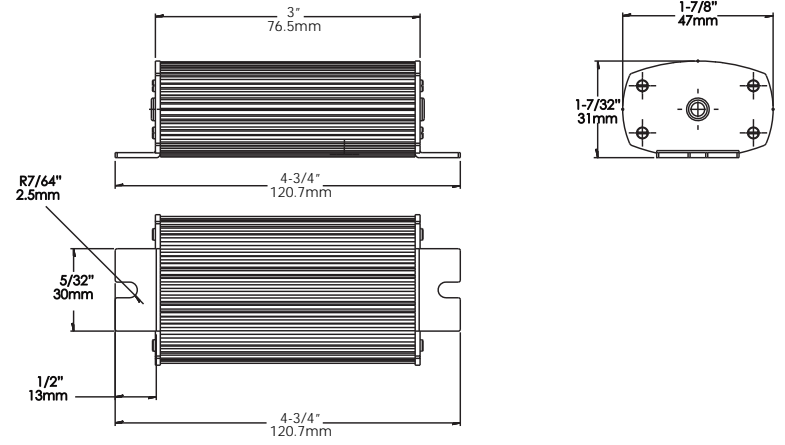
PATENT NO.:9,671,075  
PATENT NO.:9,746,144

Type	
Project	
Catalog No.	

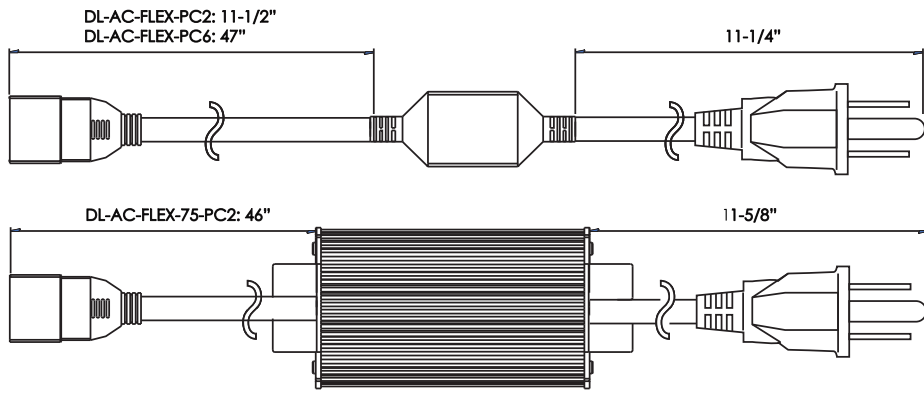
## COMPONENT DIMENSIONS



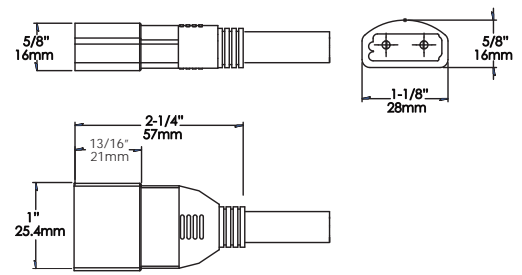
DL-AC-FLEX-PC SURGE SUPPRESSOR



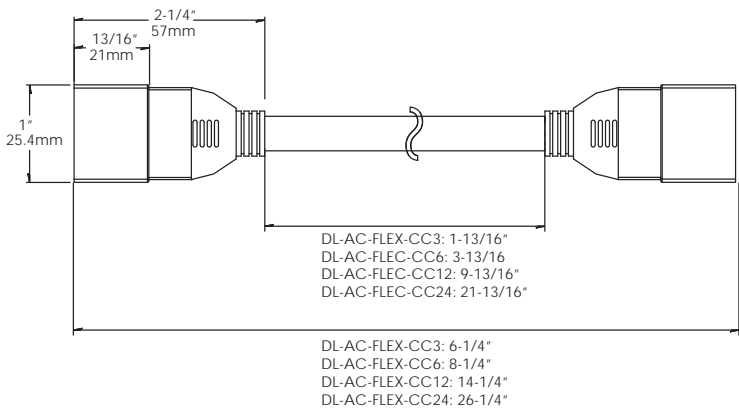
DL-AC-FLEX-75-PC2 SURGE SUPPRESSOR



PLUG & PLAY INPUT TERMINATION OVERALL LENGTH



DL-AC-FLEX STRIP PC CONNECTOR



DL-AC-FLEX-CC  
Connecting Cable

NOTE: ALL DIMENSIONS ARE NOMINAL

**JESCO**  
LIGHTING GROUP  
© 2015 JESCO LIGHTING GROUP, LLC

www.jescolighting.com  
support@jecolighting.com  
Tech Support: 855.592.0029

15 Harbor Park Drive  
Port Washington, NY 11050  
Main Line: 800.527.7796  
Fax Line: 855.265.5768

219 South 6th Ave  
City of Industry, CA 91746  
Main Line: 855.654.0110  
Fax Line: 626.333.2955

Specifications subject to change without notice.



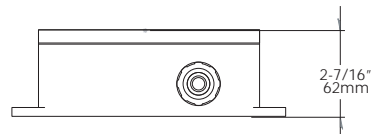
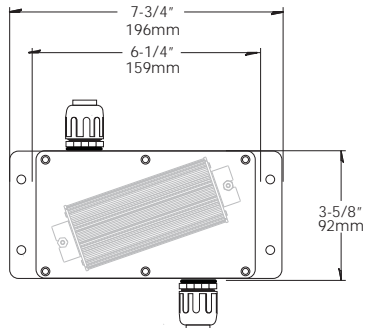
# DL-AC-FLEX (OUTDOOR APPLICATIONS)

LED FLEXIBLE LINEAR  
AC FLEXIBLE LINEAR STRIP

PATENT NO.:9,671,075  
PATENT NO.:9,746,144

Type	
Project	
Catalog No.	

## COMPONENTS DIMENSIONS CONTINUED



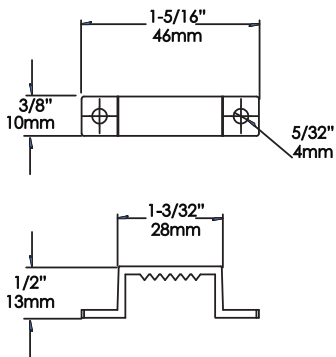
### DL-AC-FLEX-HW-(08/20)-ODF

NEMA 4X rated enclosure with surge suppressor and connection to 1/2"Ø non-metallic flexible conduit

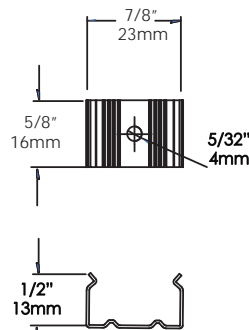
### DL-AC-FLEX-HW-(08/20)-ODR

NEMA 4X rated enclosure with surge suppressor and connection to 1/2"Ø non-metallic rigid conduit

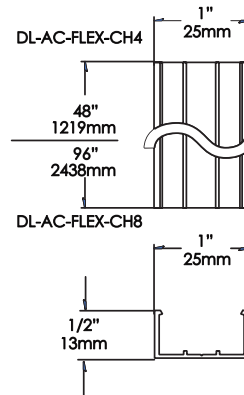
## MOUNTING ACCESSORIES DIMENSIONS



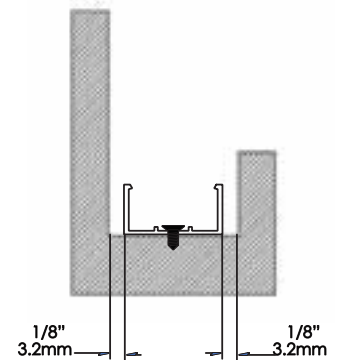
**DL-AC-FLEX-MC-HW**  
Hardwire Mounting Clip



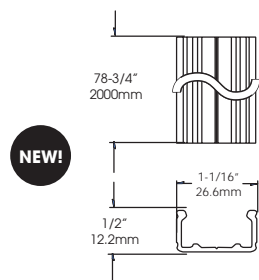
**DL-AC-FLEX-MC-M**  
Metal Mounting "U" Clip



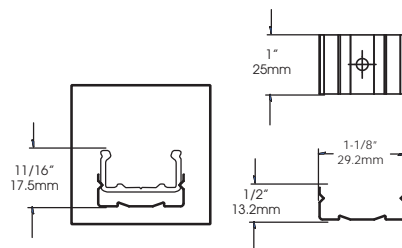
**DL-AC-FLEX-CH**  
Mounting Channel



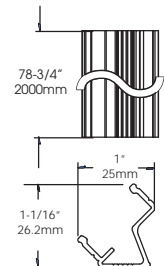
**DL-AC-FLEX-MC & CH**  
Allow 1/8" (3.2mm) clearance



**DL-AC-FLEX-CH6M**  
6-1/2ft Metal Mounting Channel



**DL-AC-FLEX-CH-M-BR**  
Spring Clip for Metal Channel



**DL-AC-FLEX-CH6M-45**  
45° Metal Channel

NOTE: ALL DIMENSIONS ARE NOMINAL

**JESCO**  
LIGHTING GROUP

© 2015 JESCO LIGHTING GROUP, LLC

www.jescolighting.com  
support@jecolighting.com  
Tech Support: 855.592.0029

15 Harbor Park Drive  
Port Washington, NY 11050  
Main Line: 800.527.7796  
Fax Line: 855.265.5768

219 South 6th Ave  
City of Industry, CA 91746  
Main Line: 855.654.0110  
Fax Line: 626.333.2955



# DL-AC-FLEX (OUTDOOR APPLICATIONS)

LED FLEXIBLE LINEAR  
AC FLEXIBLE LINEAR STRIP

PATENT NO.:9,671,075  
PATENT NO.:9,746,144

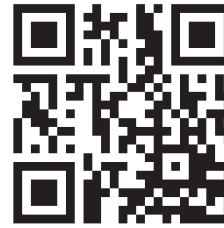
Type	
Project	
Catalog No.	

## PHOTOMETRIC DATA

IES FILE AVAILABLE:



2700K

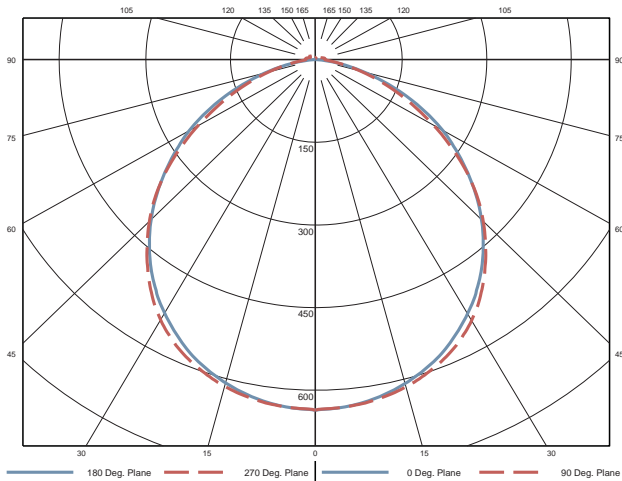


3000K



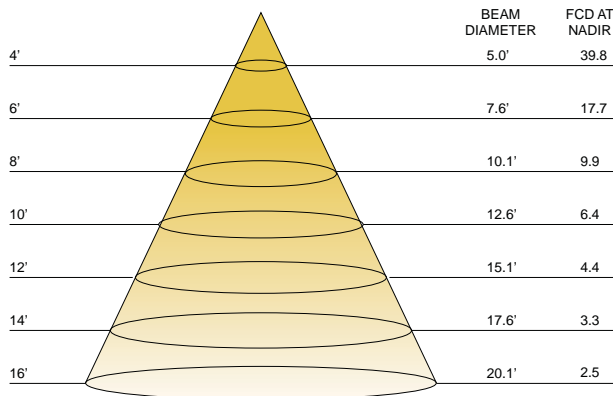
4000K

## DISTRIBUTION - POLAR PLOT 3000K\*



Zone	Lumens	% of Luminaire
0-40	810	46.5%
0-60	1258	80.3%
0-90	1697	97.4%
90-180	45	2.6%

## DISTRIBUTION - CONE OF LIGHT 3000K\*



Mounting Height (Ft.)	Footcandles at Nadir	Diameter (Ft.)
4.00	39.8	5.04
6.00	17.7	7.56
8.00	9.94	10.1
10.0	6.36	12.6
12.0	4.42	15.1
14.0	3.25	17.6
16.0	2.49	20.1

\*Based on 48" DL-AC-FLEX-30 LED strip



# DL-AC-FLEX (OUTDOOR APPLICATIONS)

LED FLEXIBLE LINEAR  
AC FLEXIBLE LINEAR STRIP

PATENT NO.:9,671,075  
PATENT NO.:9,746,144

Type	
Project	
Catalog No.	

## COMPATIBLE DIMMERS up to 110ft continuous run\*

MANUFACTURER	STYLE	MODEL NUMBER	TYPE	CAPACITY	RECOMMENDED FOOTAGE
Lutron	Diva	DVELV-300	Electronic Low Voltage	300W	50 FEET
	Nova T	NTELV-300	Electronic Low Voltage	300W	50 FEET
	Nova T	NTELV-600	Electronic Low Voltage	600W	110 FEET
	Maestro	MIRELV-600	Electronic Low Voltage	600W	110 FEET

## DIMMING 150FT. CONTINUOUS RUN OF INFINA®\*

**PARTS REQUIRED (not included)**  
DIMMER: **LUTRON NOVA-T-NTF-10**  
INTERFACE: **LUTRON PHPM-WBX-120-WH**

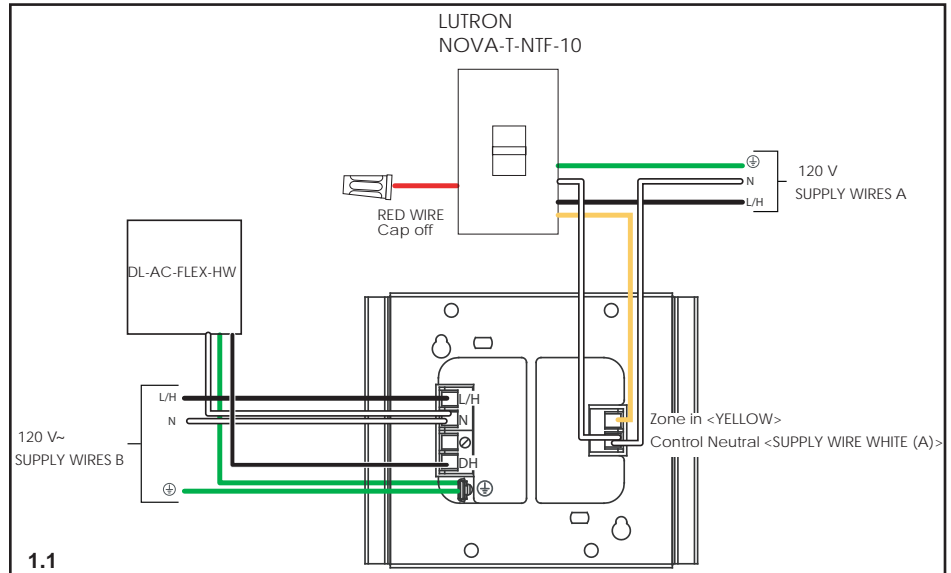
1.1 Suggested wiring with separate power feeds for control and load sides.

1.2 Typical installation with separate power feeds for control and load sides.

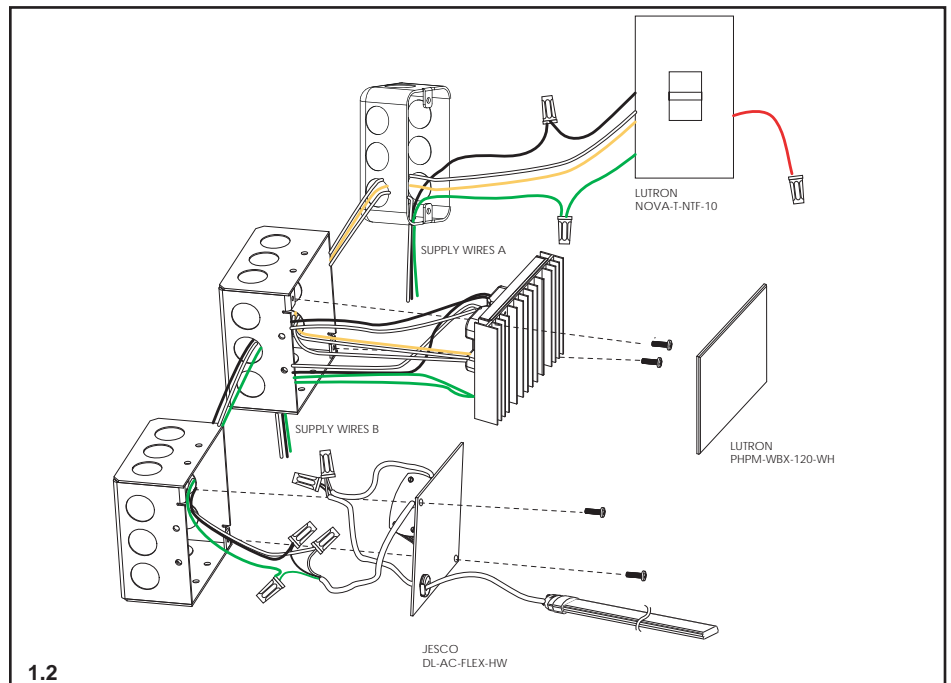
Please check manufacturer's documentations on detailed wiring and installation instructions.

### LUTRON PHPM-WBX-120-WH

- Indoor use only.
- minimum load 10W
- Mount in 2-gang U.S. wallbox 3.5 in (89 mm) deep or 4 in x 4 in (102 mm x 102 mm) junction box 2.1 in (53 mm) deep.
- This device generates heat; mount only where ambient temperature is 32 °F to 104 °F (0 °C to 40 °C).
- Mount with arrows facing up to ensure adequate cooling.
- Allow 4.5 in (114 mm) above and below unit and between faceplates when mounting several in a vertical layout.
- Mount so line (mains) voltage wiring is at least 6 ft (1.8 m) from sound or electronic equipment and wiring.



1.1



1.2

\* Effectively dim down to 10%

NOTE: All available dimmers have not been tested with INFINA® and there may be several factors during installation that can affect performance. Prior testing of your exact application of INFINA® and your designated dimmer is highly recommended. For dimmers that are not listed, please contact factory.

# JESCO

LIGHTING GROUP

© 2015 JESCO LIGHTING GROUP, LLC

www.jescolighting.com  
support@jescolighting.com  
Tech Support: 855.592.0029

15 Harbor Park Drive  
Port Washington, NY 11050  
Main Line: 800.527.7796  
Fax Line: 855.265.5768

219 South 6th Ave  
City of Industry, CA 91746  
Main Line: 855.654.0110  
Fax Line: 626.333.2955



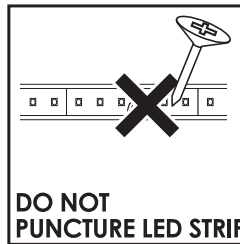
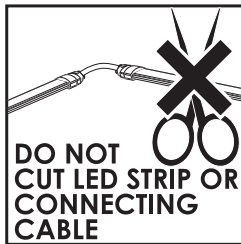
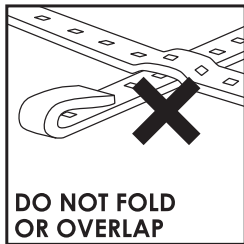
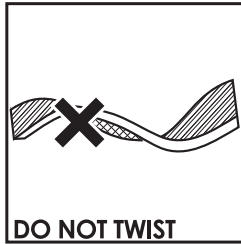
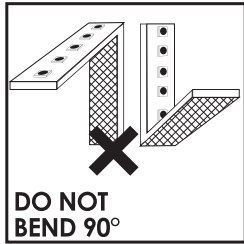
# DL-AC-FLEX (OUTDOOR APPLICATIONS)

LED FLEXIBLE LINEAR  
AC FLEXIBLE LINEAR STRIP

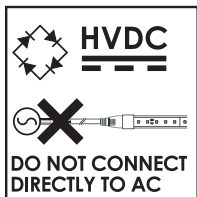
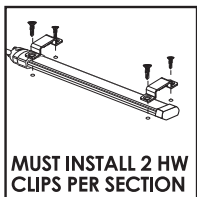
PATENT NO.:9,671,075  
PATENT NO.:9,746,144

Type	
Project	
Catalog No.	

## CAUTION

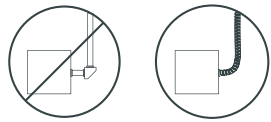


## HARDWIRE CONNECTION WIRING

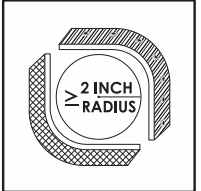
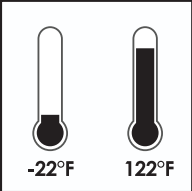


**INCORRECT BRANCH CIRCUIT CONNECTION WILL VOID THE WARRANTY OF THE PRODUCT**  
ON-BOARD COMPONENTS ARE SCEPTIBLE TO DAMAGE FROM INCORRECT WIRING

## OUTDOOR



**FLEXIBLE CONDUIT ONLY**  
**MAKE SURE ALL CONNECTIONS ARE SEALED AND WATER TIGHT**  
• DO NOT SUBMERGE IN LIQUID OR IN AREAS WHERE WATER WILL PUDDLE  
• DO NOT INSTALL NEAR AREAS WITH EXPOSURE TO SALT WATER OR CHLORINATED WATER



**NOTE:** Avoid installing at locations with prolonged exposure to direct sunlight to prevent extended heat buildup and to prevent irreversible damages on the LED.

## WARRANTY IS VOID IF ANY OF THE ABOVE ARE VIOLATED

A 5 YEAR LIMITED WARRANTY for applications that necessitate up to 16 consecutive operational hours per 24 hour period.  
A 2 YEAR LIMITED WARRANTY for applications that necessitate more than 16 consecutive operational hours per 24 hour period.

**JESCO**  
LIGHTING GROUP  
© 2015 JESCO LIGHTING GROUP, LLC

www.jescolighting.com  
support@jecolighting.com  
Tech Support: 855.592.0029

15 Harbor Park Drive  
Port Washington, NY 11050  
Main Line: 800.527.7796  
Fax Line: 855.265.5768

219 South 6th Ave  
City of Industry, CA 91746  
Main Line: 855.654.0110  
Fax Line: 626.333.2955