

# CMJ-L562

## CANOPY W/ J-BOX MOUNTED CYLINDRICAL TRACKHEAD INSTALLATION INSTRUCTIONS



Fixture Type
Project
Notes



# READ AND FOLLOW ALL SAFETY INSTRUCTIONS



### SAFETY

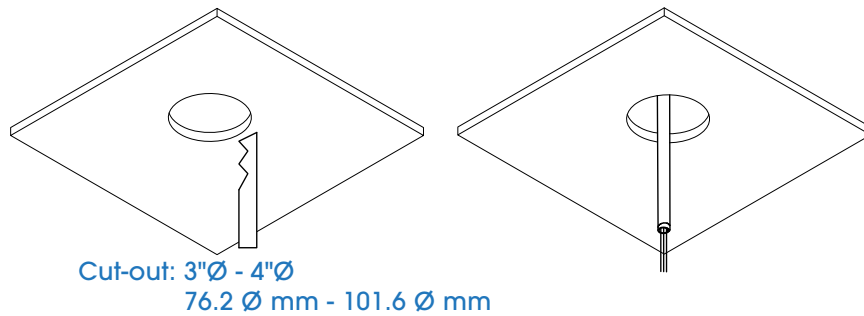
For your safety, this fixture must be wired in accordance to local electrical codes and ordinances. All work should be done by a qualified electrician.

### WARNING

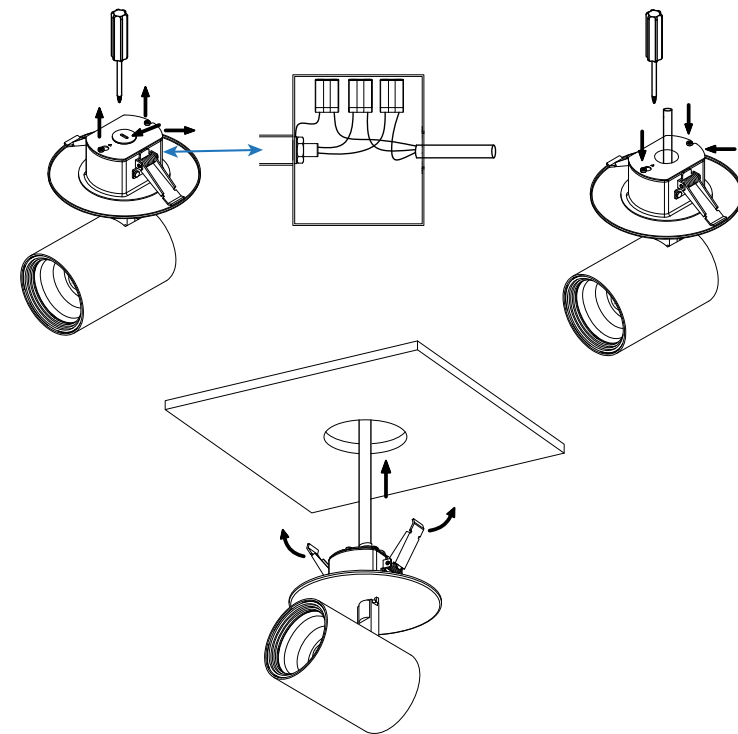
Making certain power is OFF from the electrical panel before starting installation or attempting any maintenance. Indoor installation only.

### INSTALLATION

1. Turn power off from the electrical panel before installation.
2. Pull the **Power wires** from the **outlet box** and go through the **mounting bracket**.
3. Installing the **mounting bracket** onto the **outlet box** by **mounting screws**.
4. Connecting the wires with the provided **quick push-in connectors**.  
Connecting **White (N)** power supply wire to fixture white wire.  
Connecting **Black (L)** power supply wire to fixture black wire.  
Connecting **Ground wire** connect to the bare copper wire(Ground wire).  
Please make sure all wires are connect well.
5. Installing the ceiling panel with the **mounting plate** onto the **mounting bracket**.
6. Checking the fixture if the fixture is installed well.
7. Adjust the light to suitable position by rotating and tilting the fixture.
8. Turn on the power to check if the light work well.



support@jescolighting.com  
855 592 0029



### COMPATIBLE DIMMERS

BRAND	FAMILY	MODEL	LOAD (W)	L562S	L562M	L562L
LUTRON	SKYLARK CONTOUR	LECL-153P	150W	1-12	1-6	1-4
		CTCL-150H	150W	1-12	1-6	1-4
		LGCL-153PLH	150W	1-12	1-6	1-4
		CTCL-153P	150W	1-12	1-6	1-4
		SCL-153P	150W	1-12	1-6	1-4
	CASETA	PD-6WCL	600W	1-16	1-9	1-6
		PD-5NE	150W	1-12	1-6	1-4
		PD-10NXD	250W	1-16	1-9	1-6
	DIVA	DVCL-153P	150W	1-12	1-6	1-4
	TOGGLER	TGCL-153P	150W	1-12	1-6	1-4
ARIADNI	AYCL-153P	150W	1-12	1-6	1-4	
MAESTRO	MACL-153M	150W	1-12	1-6	1-4	
LEVITON	ILLUMATECH	IPL06	150W	1-12	1-6	1-4
	SURESIDE	6672	150W	1-12	1-6	1-4
EATON	SMART DIMMER	AAL06	300W	1-16	1-9	1-6