

INSTALLATION INSTRUCTIONS

DL-FLEX2-LNSB / DL-FLEX2-LNTB

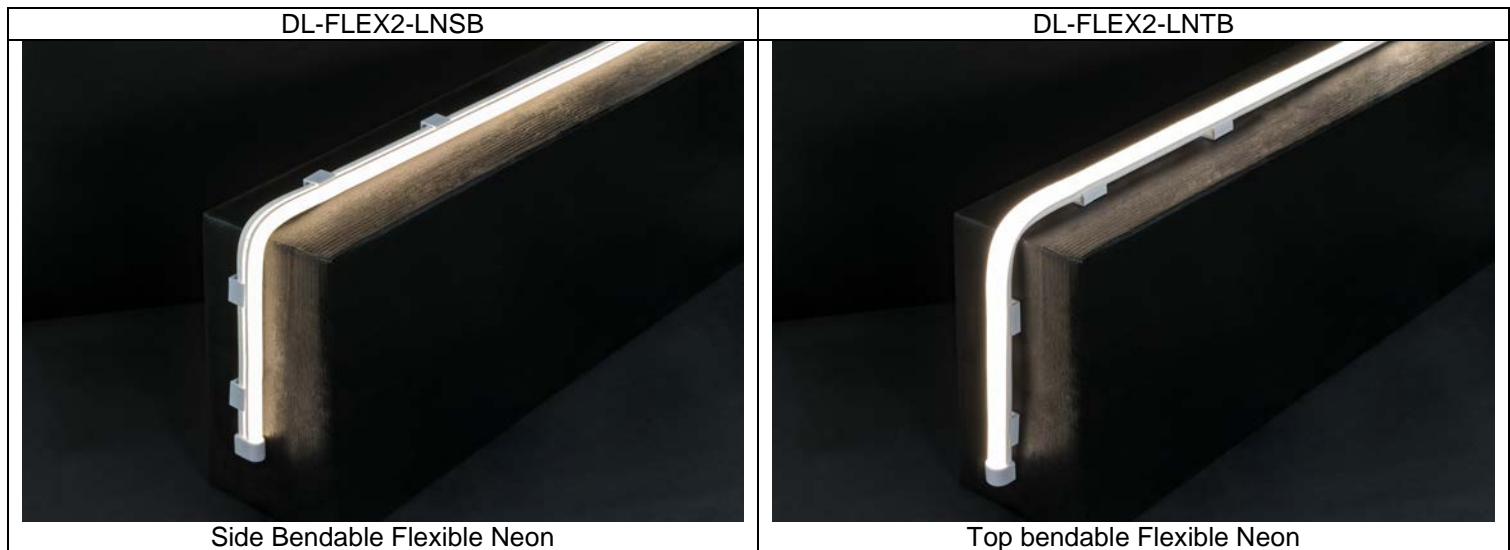


IMPORTANT SAFETY INSTRUCTIONS

Please read carefully before using product. Protect yourself and others by observing all safety information, warnings and cautions. Failure to comply with instructions could result in personal injury and/or damage to product or property. *Please retain instruction sheet for future reference.*

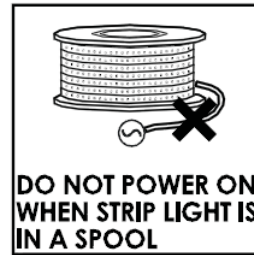
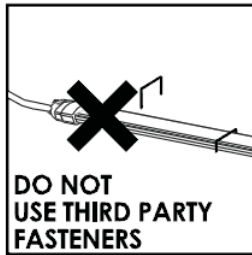
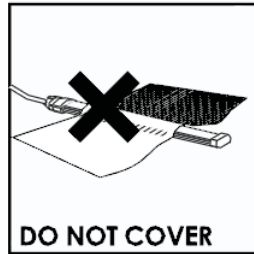
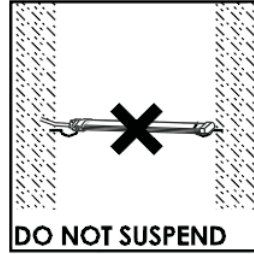
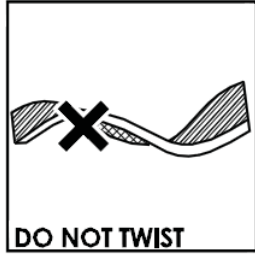
When installing or using this product, basic safety precautions should always be followed including the following:

1. Read all instructions before attempting to install this product.
2. Ensure main power is off before installing or wiring this product.
3. Ensure correct voltage is being used for this product.
4. Do not use if there is visible damage to the fixture or cord insulation. Inspect periodically.
5. Do not install in direct sunlight to avoid damaging the phosphor on the LEDs.
6. Do not submerge in any liquid or use the product where liquid might pool.
7. Do not install near areas with exposure to chlorinated water (salt water environments are approved).
8. Do not install within 5 feet of a swimming pool
9. Disconnect electrical power before adding to or changing the configuration of this product.
10. Fixtures must be installed by a qualified/certified electrician in accordance with all national and local electrical and construction codes and regulations.



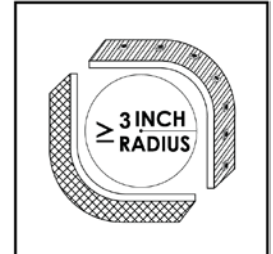
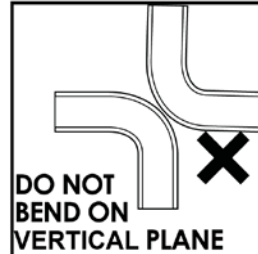
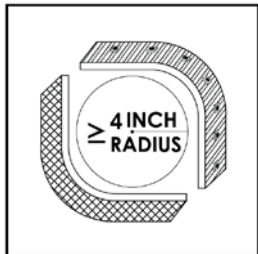


CAUTION



DL-FLEX2-LNTB (TOP BENDING)

DL-FLEX2-LNSB (SIDE BENDING)



VIOLATING ANY OF THE ABOVE **WILL VOID WARRANTY**

INSTALLATION INSTRUCTIONS

DL-FLEX2-LNSB / DL-FLEX2-LNTB



INSTALLATION

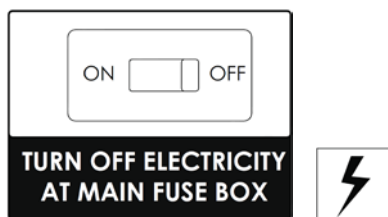
1. Configure design and layout of the system before attempting to install this product. Do not exceed the maximum ambient operating temperature of 113 degrees Fahrenheit. Do not submerge in water. Do not install in environments which may be submerged in water.

| Product | Max Run Length |
|---------------|----------------|
| DL-FLEX2-LNSB | 30 feet |
| DL-FLEX2-LNTB | 30 feet |

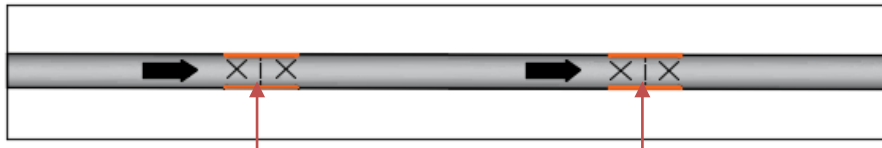
Note – For dimming applications refer to the spec sheet and the wiring diagrams below.

2. **Turn off electricity**

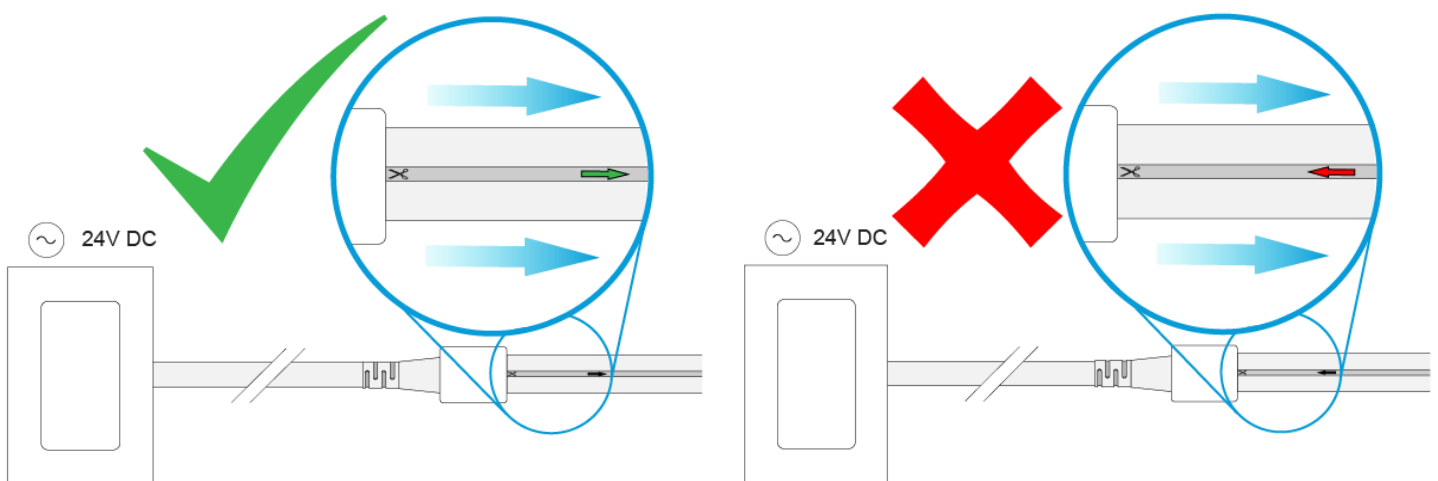
Before beginning installation, switch circuit breaker off or remove fuse.



3. If not cutting to a specific length, skip to 8. If cutting to desired length, only cut at the cut marks. The cut marks for the side bendable DL-FLEX2-LNSB are located on the right side and the cut marks for the top bendable DL-FLEX2-LNTB are located on the bottom.



Note: The power travels in the direction of the arrow so the power should be connected on the tail side of the arrow.



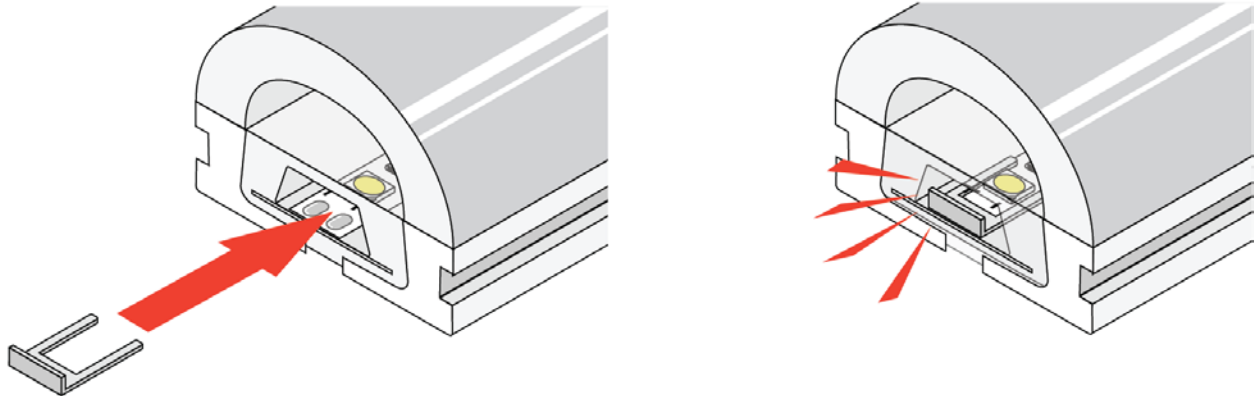
INSTALLATION INSTRUCTIONS

DL-FLEX2-LNSB / DL-FLEX2-LNTB



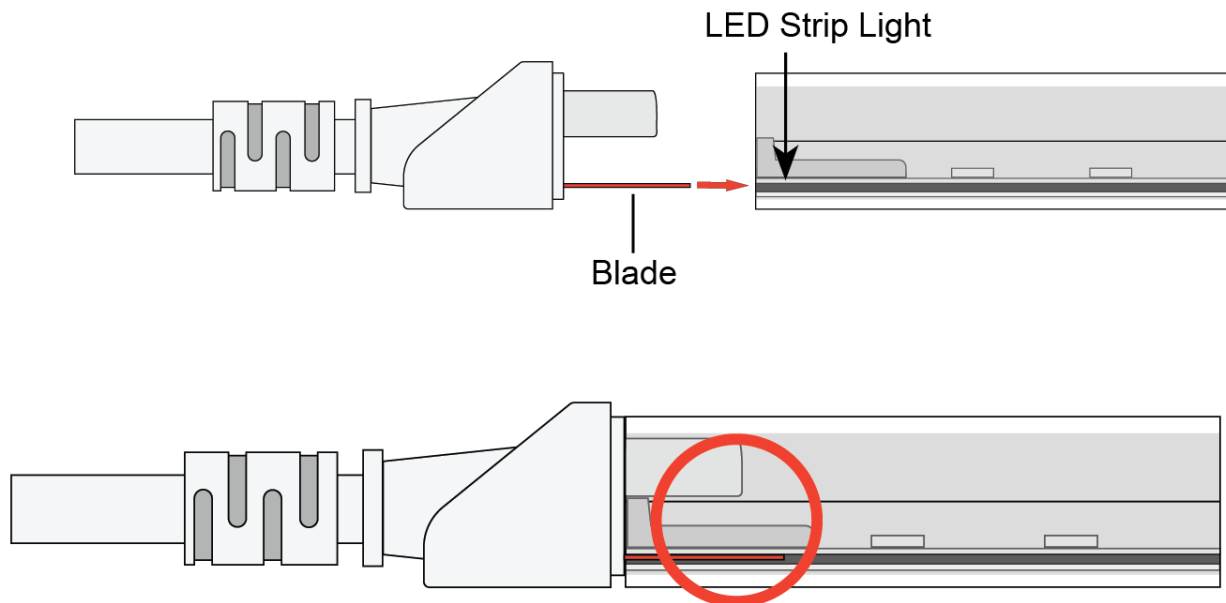
4. Insert the plastic spacer (provided with end cap and power cord) as shown below on both open ends of the flexible neon. The spacer goes over the LED tape, with each arm of the spacer sliding next to the LED.

NOTE: Not using the spacer will void warranty.



5. Insert the power cord into the Flexible Neon. Slide the blades directly under the LED Strip. Press firmly on the flexible neon to ensure that the blades make contact with the copper pads.

Note: It is recommended to test the fixture at this point, before sealing the connections in the next step.



*Top Bending flexible neon shown

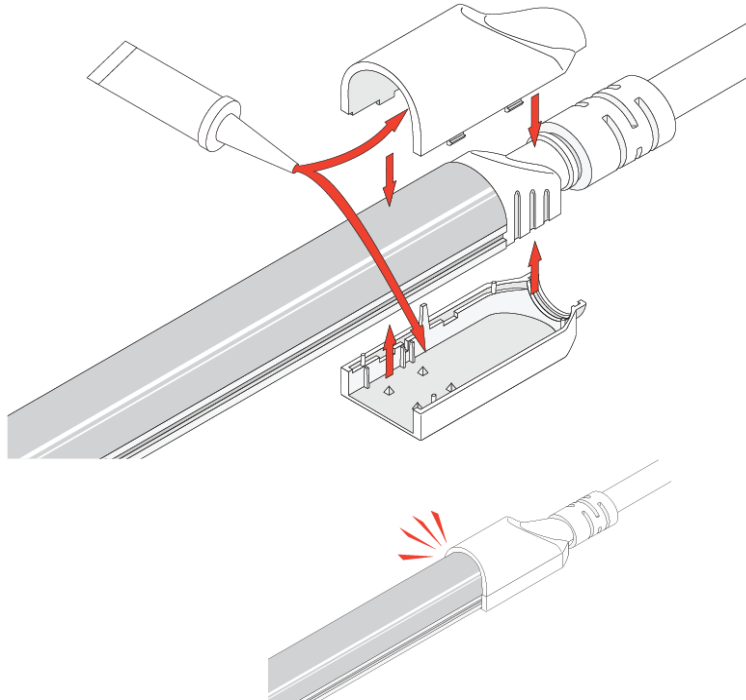
INSTALLATION INSTRUCTIONS

DL-FLEX2-LNSB / DL-FLEX2-LNTB

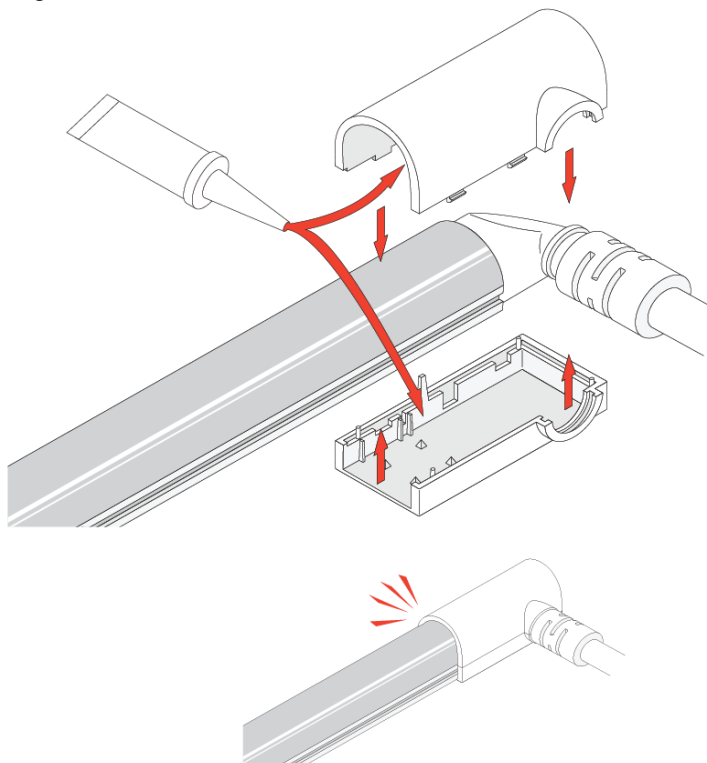


6. First apply sufficient sealant in the location shown by the arrows. Then, press firmly until the 2 pieces snap together.
Note: There are 3 types of connectors for both the Side Bendable and Top Bendable Flexible Neon:

a) Tail Side Connector



b) Edge Side Connector

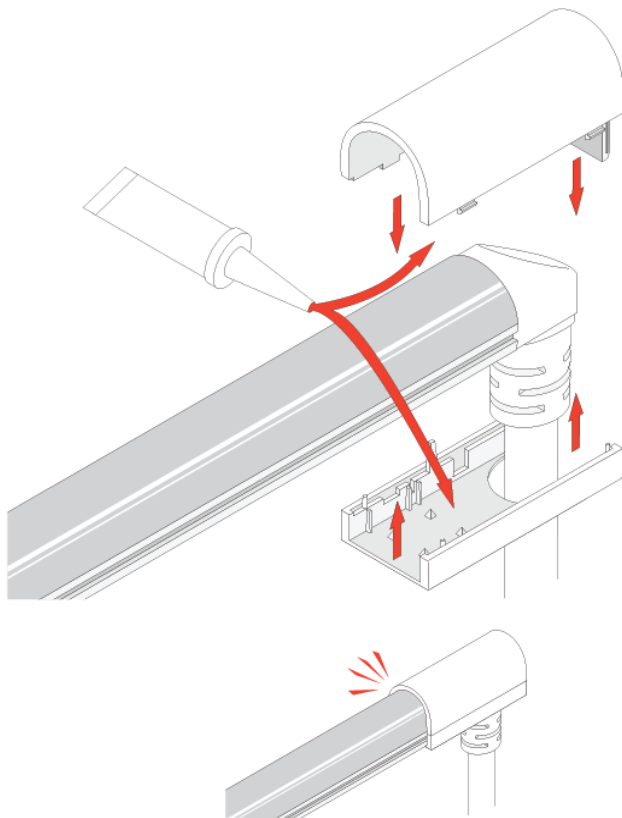


INSTALLATION INSTRUCTIONS

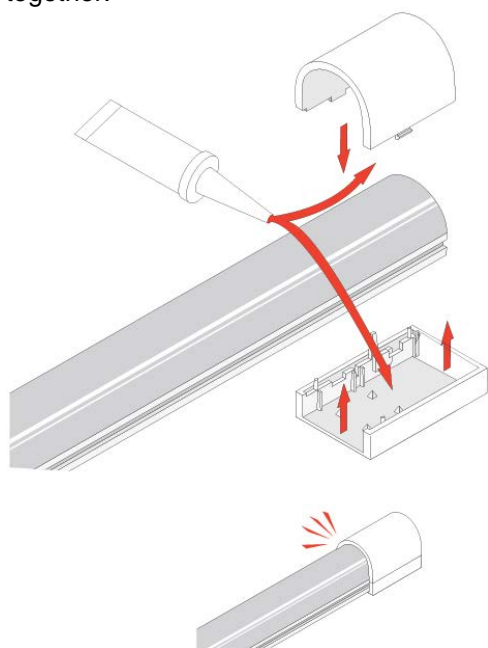
DL-FLEX2-LNSB / DL-FLEX2-LNTB



c) Bottom Side Connector



7. On the other end of the cut piece of the Flexible Neon, connect the bottom piece and the top piece of the end cap together. First apply sufficient sealant in the location shown by the arrows. Then, press firmly until the 2 pieces snap together.



INSTALLATION INSTRUCTIONS

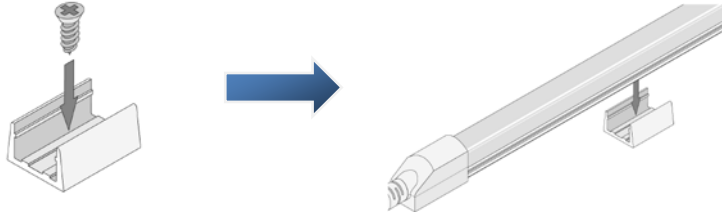
DL-FLEX2-LNSB / DL-FLEX2-LNTB



8. Mounting the Flexible Neon

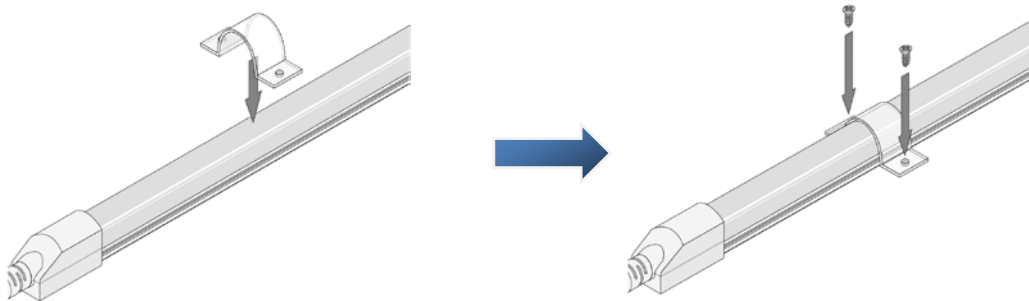
a) Using Mounting Brackets (DL-FLEX2-LNTB-BR or DL-FLEX2-LNSB-BR)

First secure the Mounting brackets to the surface using the provided screws (recommended 2 per foot). Then snap in the Flexible Neon into the mounting bracket.



b) Using Mounting Clips (DL-FLEX2-LNTB-MC or DL-FLEX2-LNSB-MC)

Hold the Flexible Neon onto the surface. Then place the clear Mounting Clips on top on the Flexible Neon at the desired locations (recommended 2 per foot). Secure with the 2 provided screws on each side of each Mounting Clip.

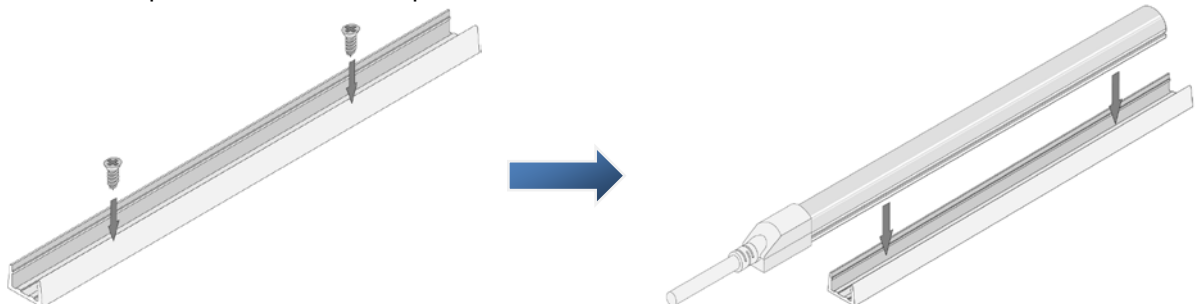


NOTE: Different surfaces may require different screw types.

c) Using Aluminum Channels (DL-FLEX2-LNTB-CH4 or DL-FLEX2-LNSB-CH4)

Hold the channel to the surface. Secure the channel to surface using screws at the pre-drilled spots. Then snap the Flexible Neon into the channel. The Flexible Neon should go in all the way and touch the bottom of the channel.

NOTE: The power cord connector piece will not fit into the channel.



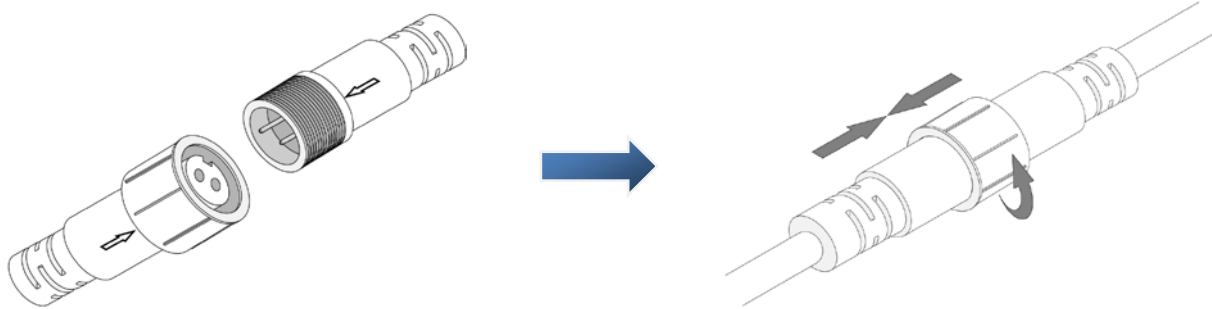
INSTALLATION INSTRUCTIONS

DL-FLEX2-LNSB / DL-FLEX2-LNTB



9. **Connect to the extension cable (DL-FLEX2-LNSB-EXTXX-HW-F)**

Connect the power cord to the extension cable. Both the male and the female are keyed. Look for the arrow on the connector, align the arrows and then insert. Seal the connection by screwing on the connector cap.



10. **Wire the run according to the wiring diagrams on the page no. 9 and 10**

Connect the bare wires within a junction box. Ensure the wires are connected correctly by observing the polarity
Note – The power supply may need to be installed in an outdoor box (by others).

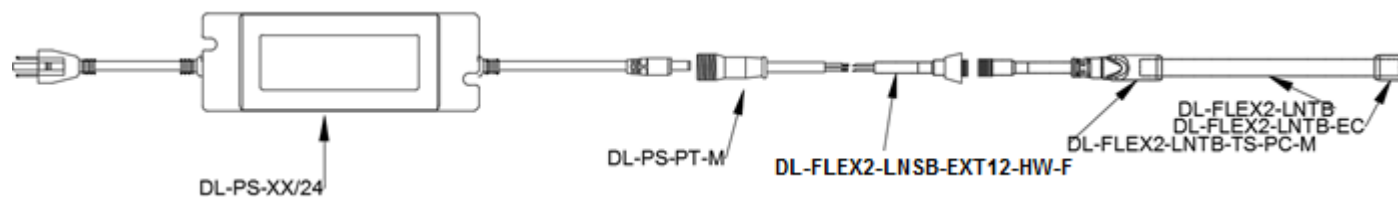
INSTALLATION INSTRUCTIONS

DL-FLEX2-LNSB / DL-FLEX2-LNTB

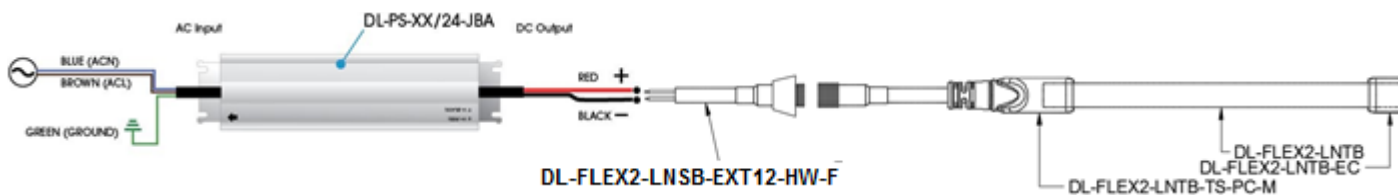


WIRING DIAGRAMS

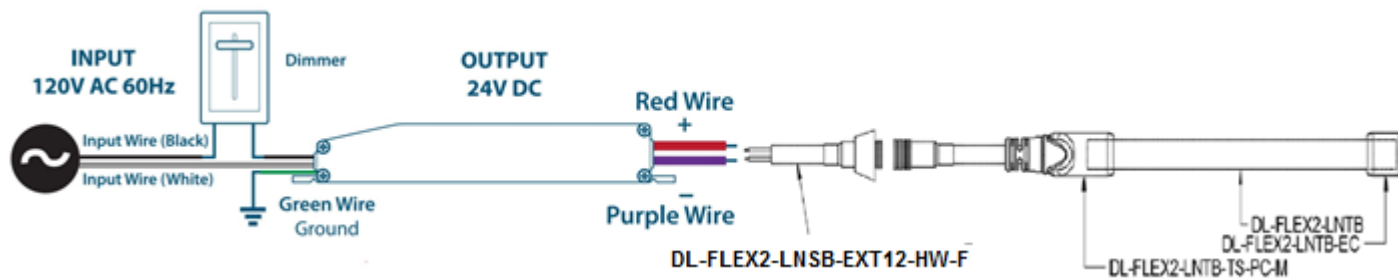
PLUG AND PLAY



HARDWIRE



Dimming Option – TRI-AC (Using our DL-PS-XX/24-JB-DIM or DL-PS-XX/24-HW-DIM drivers). Minimum 8W load is required



INSTALLATION INSTRUCTIONS

DL-FLEX2-LNSB / DL-FLEX2-LNTB



Dimming Option – 0-10V (Using our LC-DIM-5A Dimming Module)

