

INSTALLATION INSTRUCTIONS

DL-FLEX2-SHE / DL-FLEX2-SHE-HO



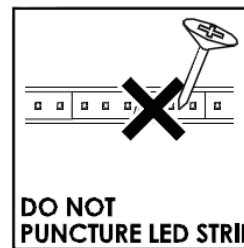
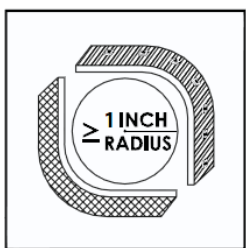
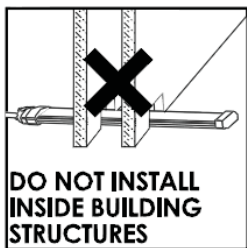
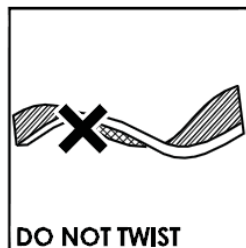
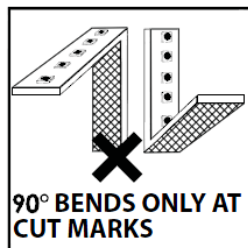
IMPORTANT SAFETY INSTRUCTIONS

Please read carefully before using product. Protect yourself and others by observing all safety information, warnings and cautions. Failure to comply with instructions could result in personal injury and/or damage to product or property. *Please retain instruction sheet for future reference.*

When installing or using this product, basic safety precautions should always be followed including the following:

1. Read all instructions before attempting to install this product.
2. Ensure main power is off before installing or wiring this product.
3. Ensure correct voltage is being used for this product.
4. Do not use if there is visible damage to the fixture or cord insulation. Inspect periodically.
5. Do not install in direct sunlight to avoid damaging the phosphor on the LEDs.
6. Do not submerge in any liquid or use the product where liquid might pool.
7. Disconnect electrical power before adding to or changing the configuration of this product.
8. Fixtures must be installed by a qualified/certified electrician in accordance with all national and local electrical and construction codes and regulations.

CAUTIONS



INSTALLATION INSTRUCTIONS

DL-FLEX2-SHE / DL-FLEX2-SHE-HO



INSTALLATION

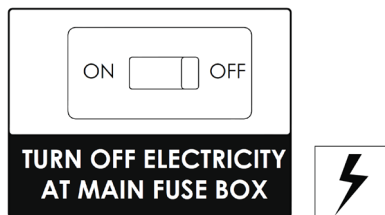
1. Configure design and layout of the system before attempting to install this product. Do not exceed the maximum operating temperature of 122 degrees Fahrenheit. For dry location use only.

Product	Max Run Length
DL-FLEX2-SHE	20'
DL-FLEX2-SHE-HO	15'

Note – For dimming applications refer to the spec sheet and the wiring diagrams below.

2. **Turn off electricity**

Before beginning installation, switch circuit breaker off or remove fuse.

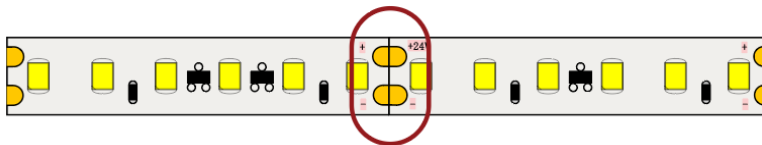


3. **Determine location to install components**

Refer to [WIRING DIAGRAMS](#)

4. **Prepare LED flexible tape for installation**

Cut the LED strip to desired lengths as required for your application. Only cut the LED strips along the designated cut line as shown. Cutting anywhere else will damage the LED light strip.



5. **Optional – Assemble Crystal Connectors**

See [CRYSTAL CONNECTOR INSTRUCTIONS](#) on page 6 and 7.

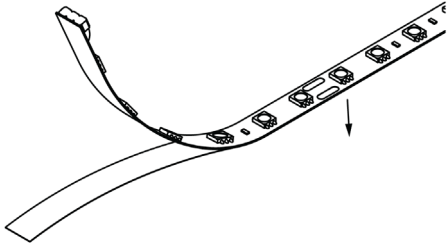
INSTALLATION INSTRUCTIONS

DL-FLEX2-SHE / DL-FLEX2-SHE-HO



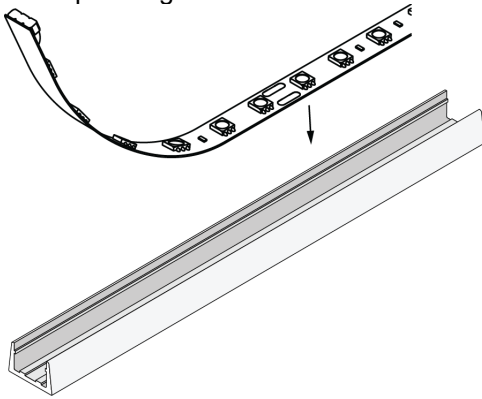
6. Mount the LED Flexible tape

Clean the mounting surface. Remove backing on the flexible tape to expose adhesive (ensure ambient temperature is minimum 50° F for proper adhesion). Carefully press the flexible tape to the mounting surface. Avoid pressing on the yellow phosphor or any electrical component, avoid using excessive force and avoid pinching. When bending tighter than a 1" radius, do so only at the cut mark.



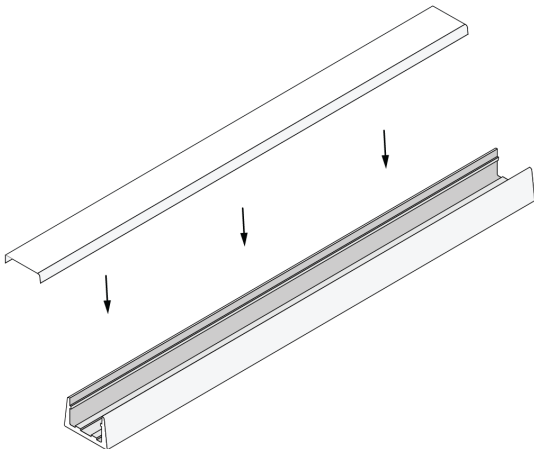
a) Optional – Install into Aluminum Channel (Channels are field-cuttable)

Install the mounting clips to the mounting surface (1 clip per 24 inches is recommended). Clean the channel surface. Remove backing on the flexible tape to expose adhesive. Carefully press the flexible tape into the aluminum channel. Avoid pressing on the LEDs or any electrical component, avoid using excessive force and avoid pinching. Insert the channel into the mounting clips.



b) Optional – Install Aluminum Channel Lens Cover

After inserting the flexible tape, align the channel cover with the aluminum channel. Carefully press the lens into the aluminum channel. The lens will snap into place. Do not use excessive force.

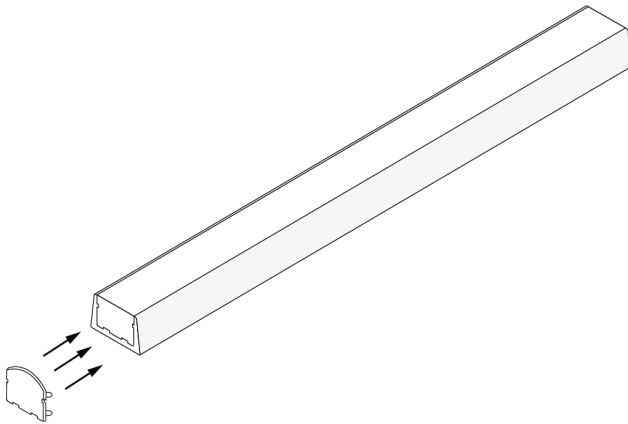


INSTALLATION INSTRUCTIONS

DL-FLEX2-SHE / DL-FLEX2-SHE-HO



- c) Optional – Insert Aluminum Channel End Caps for finished look. Live end cap for power feed end and dead end cap finishes for the other end.



7. Connect Power Supply

Using the power connector, connect to the power supply. If using a Hardwire power connector, connect the wires from the driver and the wires from the Hardwire power connector within a junction box. Ensure the wires are connected correctly by observing the polarity (positive to positive, negative to negative).

NOTE: Each reel comes with input hardwire power connectors pre-assembled to one end of the reel.

INSTALLATION INSTRUCTIONS

DL-FLEX2-SHE / DL-FLEX2-SHE-HO

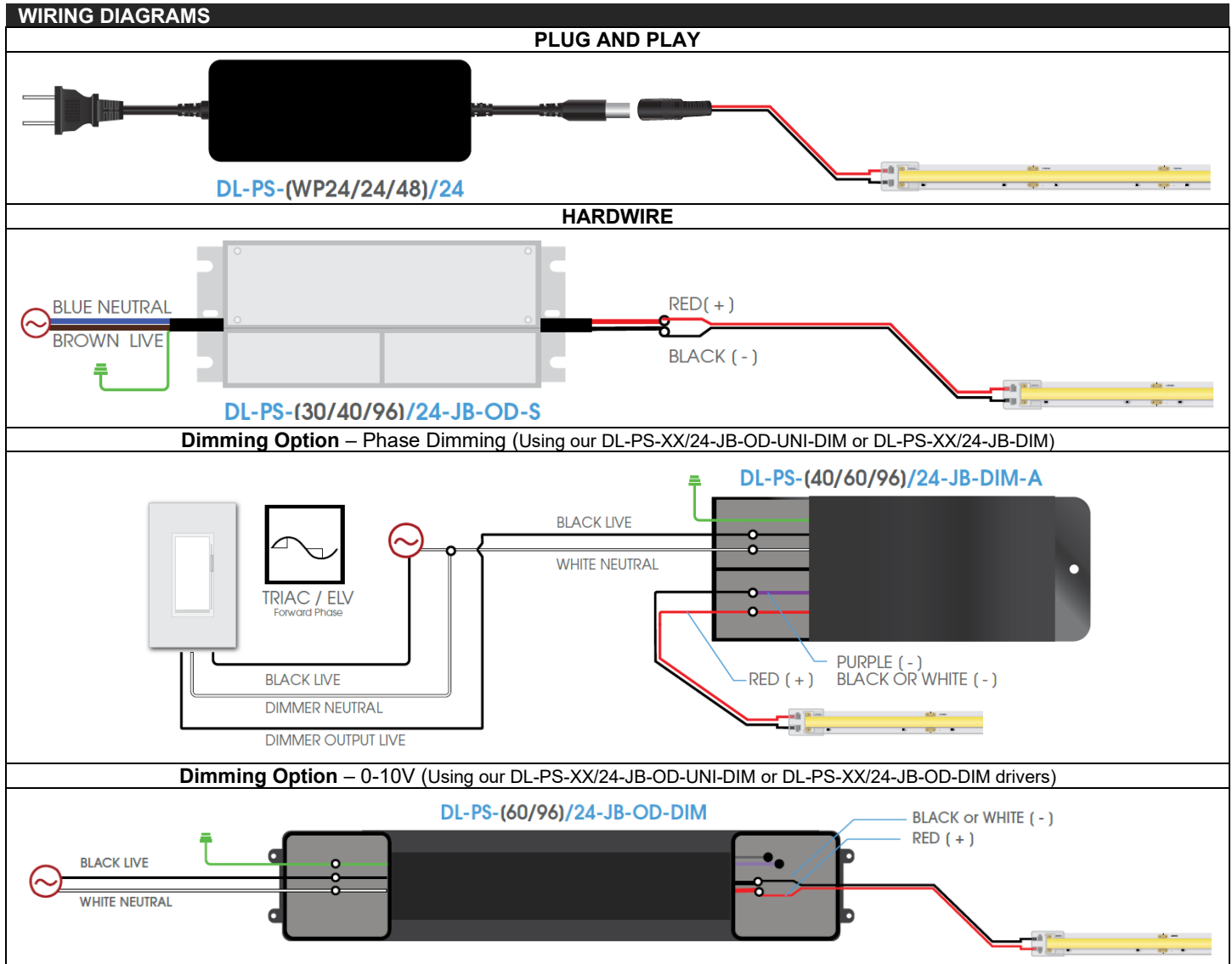


WIRING DIAGRAMS

NOTE: Vertical mounting recommended for LED drivers

NOTE: Leave at least 1" spacing between LED drivers to allow for airflow to prevent heat buildup

NOTE: Leave the power connector with enough slack to account for expansion and contraction due to temperature changes



INSTALLATION INSTRUCTIONS

DL-FLEX2-SHE / DL-FLEX2-SHE-HO



CRYSTAL CONNECTOR INSTRUCTIONS:

INSTALLATION INSTRUCTIONS FOR POWER FEED OR CONNECTING CABLE

1. Peel back about ½" of the double-sided adhesive cover at the back of the LED strip. Then push the strip into the gap, making sure that the polarity matches. Red is + and Black is -.



2. Make sure the LED strip is pushed all the way in and the edge of the LED strip reach the inner wall of the connector.



3. Use tools to clamp down on the conductors protruding from the top of the connector so that the pins on the conductor pierce the copper pads on the LED strip.



4. Once the conductors are flush with the top of the connector, the connection is complete.



INSTALLATION INSTRUCTIONS

DL-FLEX2-SHE / DL-FLEX2-SHE-HO



INSTALLATION INSTRUCTIONS FOR TAPE-TO-TAPE CONNECTOR

1. Peel back about 1/2" of the double-sided adhesive cover at the back of both the LED strips. Then push both strips into the gap, making sure that the polarity matches.



2. Make sure both edges meet at the middle on the connector.



3. Use tools to clamp down on the conductors protruding from the top of the connector so that the pins on the conductor pierce the copper pads on the LED strip.



4. Once the conductors are flush with the top of the connector, the connection is complete.

