

INSTALLATION INSTRUCTIONS

DL-FLEX2-UP / DL-FLEX2-UP-HO / DL-FLEX2-UP-ULTRA / DL-FLEX2-UP-ULTRA-NIC



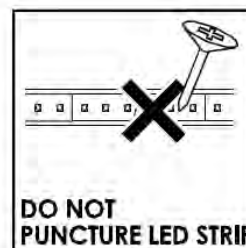
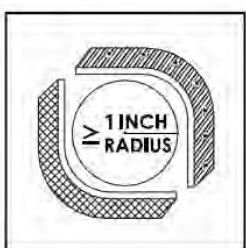
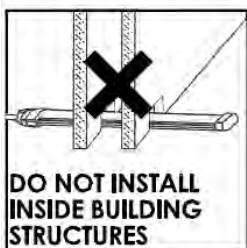
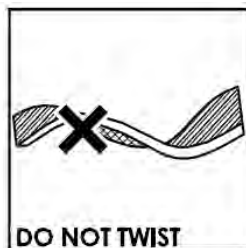
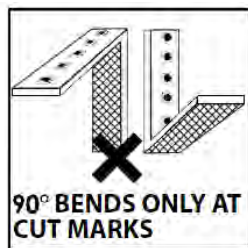
IMPORTANT SAFETY INSTRUCTIONS

Please read carefully before using product. Protect yourself and others by observing all safety information, warnings and cautions. Failure to comply with instructions could result in personal injury and/or damage to product or property. *Please retain instruction sheet for future reference.*

When installing or using this product, basic safety precautions should always be followed including the following:

1. Read all instructions before attempting to install this product.
2. Ensure main power is off before installing or wiring this product.
3. Ensure correct voltage is being used for this product.
4. Do not use if there is visible damage to the fixture or cord insulation. Inspect periodically.
5. Do not install in direct sunlight to avoid damaging the phosphor on the LEDs.
6. Do not submerge in any liquid or use the product where liquid might pool.
7. Disconnect electrical power before adding to or changing the configuration of this product.
8. Fixtures must be installed by a qualified/certified electrician in accordance with all national and local electrical and construction codes and regulations.

CAUTIONS



INSTALLATION INSTRUCTIONS

DL-FLEX2-UP / DL-FLEX2-UP-HO / DL-FLEX2-UP-ULTRA / DL-FLEX2-UP-ULTRA-NIC



INSTALLATION

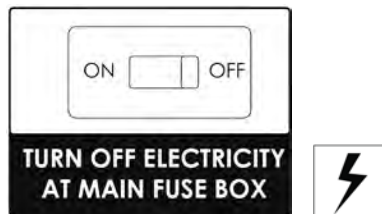
1. Configure design and layout of the system before attempting to install this product. Do not exceed the maximum operating temperature of 122 degrees Fahrenheit. For dry location use only.

Product	Max Run Length
DL-FLEX2-UP	30 feet
DL-FLEX2-UP-HO	30 feet
DL-FLEX2-UP-ULTRA	20 feet
DL-FLEX2-UP-ULTRA-NIC	20 feet

Note – For dimming applications refer to the spec sheet and the wiring diagrams below.

2. **Turn off electricity**

Before beginning installation, switch circuit breaker off or remove fuse.



3. **Determine location to install components**

Refer to [WIRING DIAGRAMS](#)

4. **Prepare LED flexible tape for installation**

Determine the length of LED flexible tape to be installed. If LED flexible tape needs to be cut, only cut at the cut mark.



There are quick connectors every 12" allowing for sections to be pulled out to shorten a run length or more 12" sections can be inserted to increase a run length.



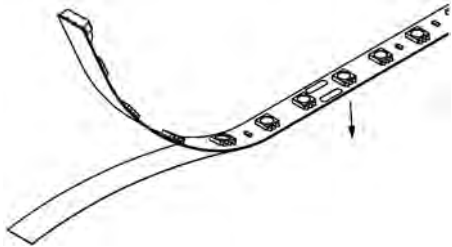
INSTALLATION INSTRUCTIONS

DL-FLEX2-UP / DL-FLEX2-UP-HO / DL-FLEX2-UP-ULTRA / DL-FLEX2-UP-ULTRA-NIC



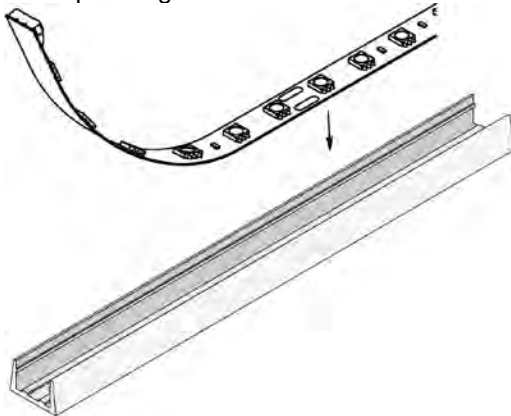
5. Mount the LED Flexible tape

Clean the mounting surface. Remove backing on the flexible tape to expose adhesive (ensure ambient temperature is minimum 50° F for proper adhesion). Carefully press the flexible tape to the mounting surface. Avoid pressing on the LEDs or any electrical component, avoid using excessive force and avoid pinching. When bending tighter than a 1" radius, do so only at the cut mark.



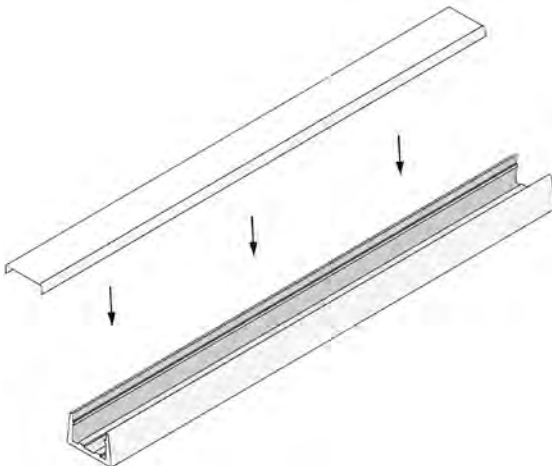
a) Optional – Install into Aluminum Channel (Channels are field-cuttable)

Install the mounting clips to the mounting surface (1 clip per 24 inches is recommended). Clean the channel surface. Remove backing on the flexible tape to expose adhesive. Carefully press the flexible tape into the aluminum channel. Avoid pressing on the LEDs or any electrical component, avoid using excessive force and avoid pinching. Insert the channel into the mounting clips.



b) Optional – Install Aluminum Channel Lens Cover

After inserting the flexible tape, align the channel cover with the aluminum channel. Carefully press the lens into the aluminum channel. The lens will snap into place. Do not use excessive force.

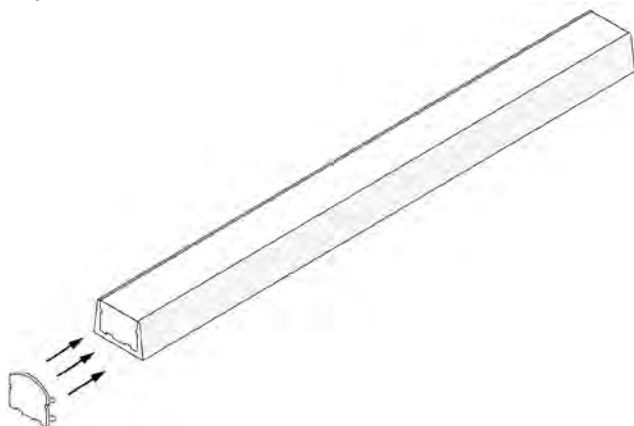


INSTALLATION INSTRUCTIONS

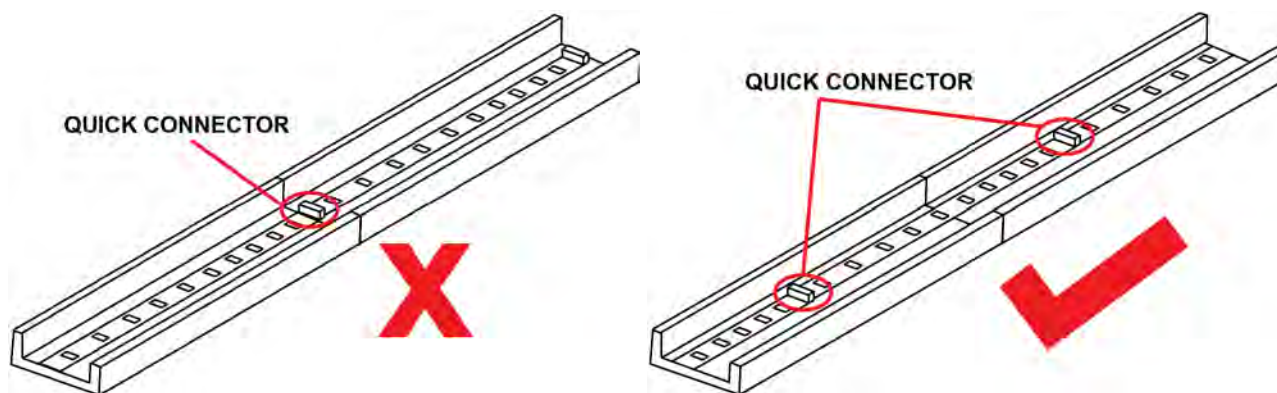
DL-FLEX2-UP / DL-FLEX2-UP-HO / DL-FLEX2-UP-ULTRA / DL-FLEX2-UP-ULTRA-NIC



- c) Optional – Insert Aluminum Channel End Caps for finished look. Live end cap for power feed end and dead end cap finishes for the other end.



NOTE: When using 2 channels end-to-end, do not overlap the quick connectors with where the 2 channels meet



6. Install Power Connector

Insert the power connector (Hardwire or Plug and Play depending on LED Driver being used) into the female quick connector on the strip. Ensure correct face of the power connector is inserted into the LED Flexible tape. The polarity of the power connector and LED Flexible tape must match (ensure copper pads on the power connector are facing up).



7. Connect Power Supply

Using the power connector, connect to the power supply. If using a Hardwire power connector, connect the wires from the driver and the wires from the Hardwire power connector within a junction box. Ensure the wires are connected correctly by observing the polarity (positive to positive, negative to negative).

INSTALLATION INSTRUCTIONS

DL-FLEX2-UP / DL-FLEX2-UP-HO / DL-FLEX2-UP-ULTRA / DL-FLEX2-UP-ULTRA-NIC



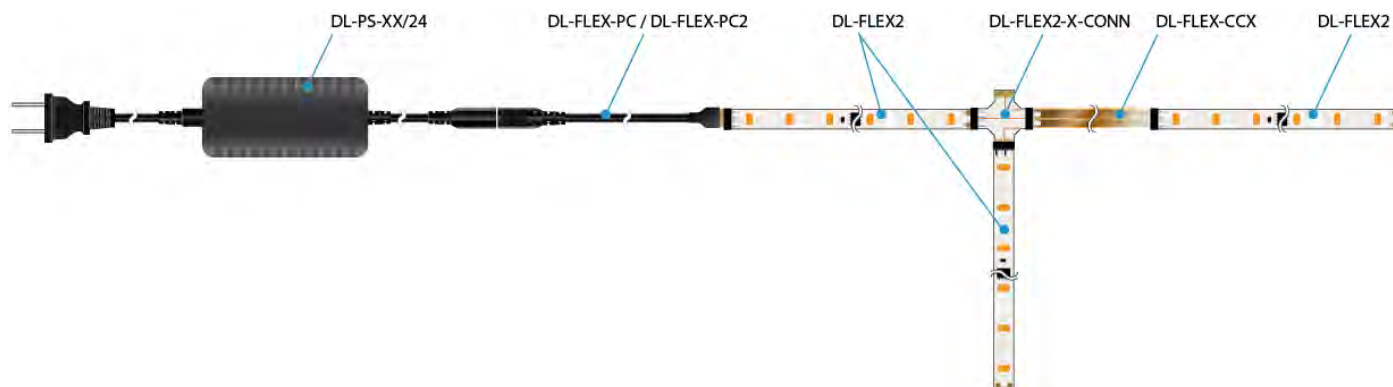
WIRING DIAGRAMS

NOTE: Vertical mounting recommended for LED drivers

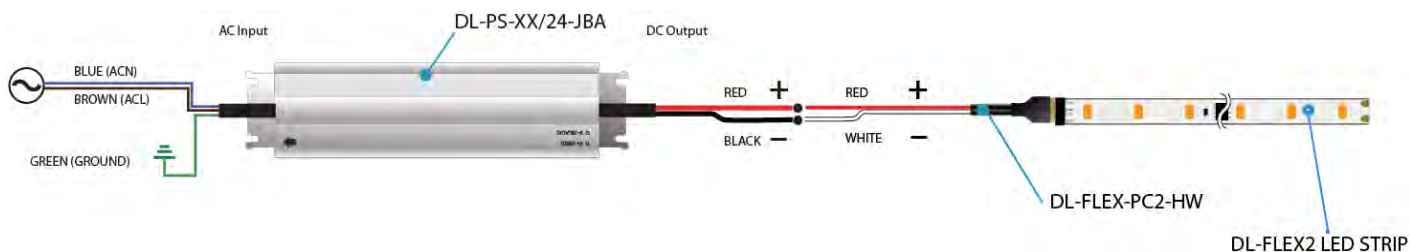
NOTE: Leave at least 1" spacing between LED drivers to allow for air flow to prevent heat buildup

NOTE: Leave the power connector with enough slack to account for expansion and contraction due to temperature changes

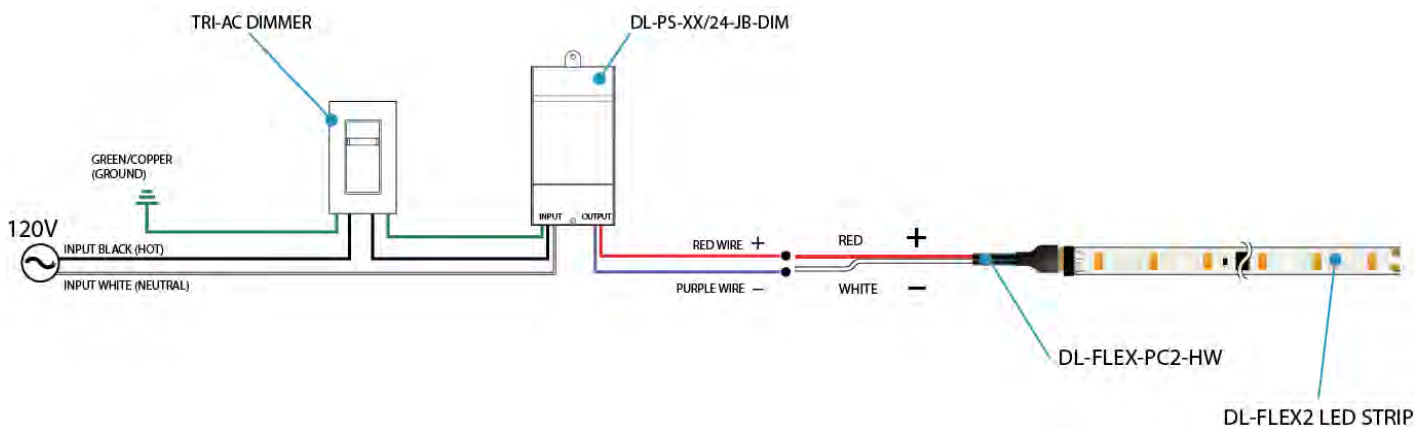
PLUG & PLAY (For dimming see LC-DIM-5A series specification sheet)



HARDWIRE



TRI-AC Dimming For dimming see DL-PS-XX/24-JB-DIM or DL-PS-XX/24-HW-DIM series specification sheet (minimum 8W load is required)

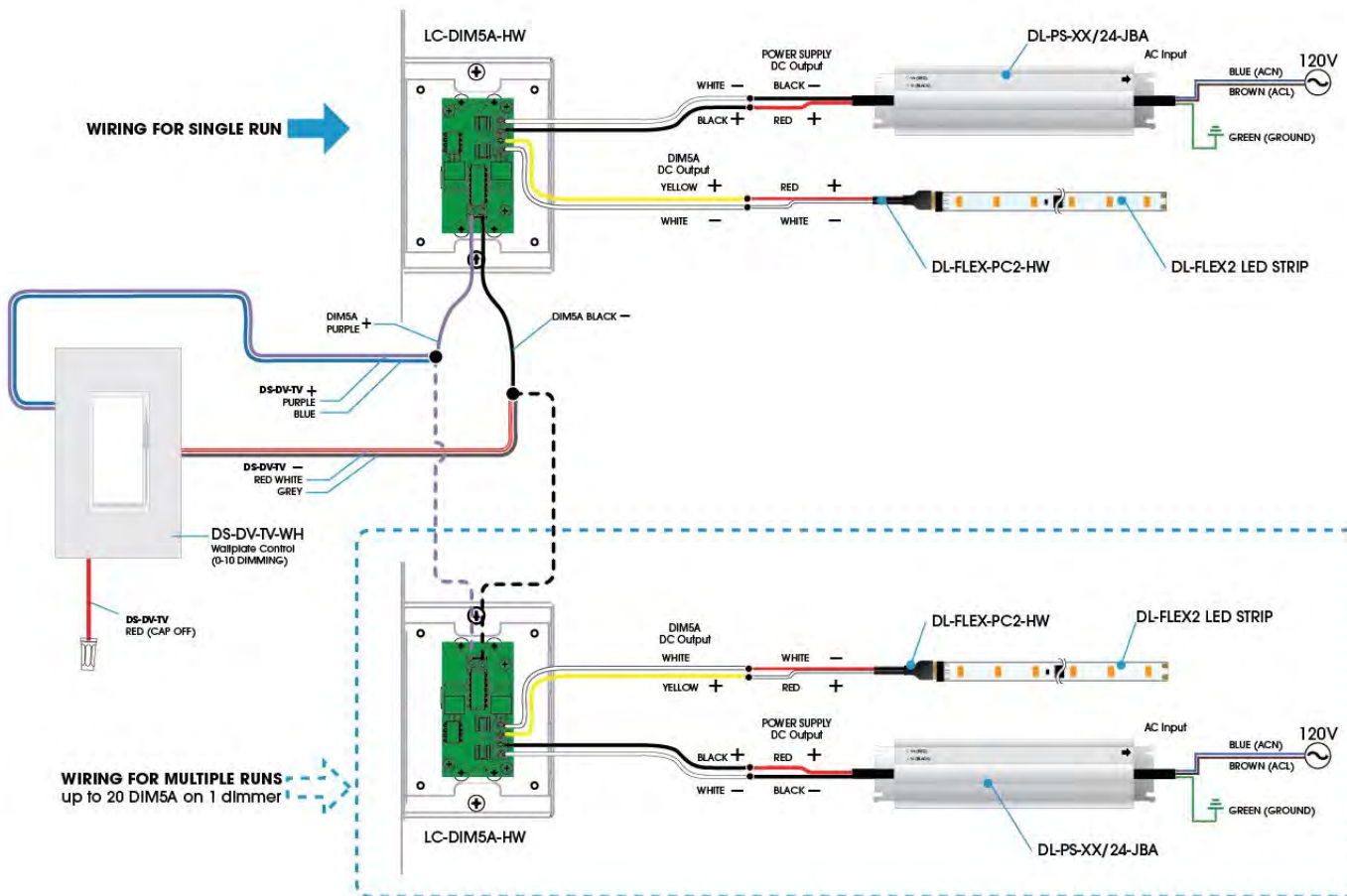


INSTALLATION INSTRUCTIONS

DL-FLEX2-UP / DL-FLEX2-UP-HO / DL-FLEX2-UP-ULTRA / DL-FLEX2-UP-ULTRA-NIC



Hardwire 0-10V Dimming (Using our LC-DIM-5A-HW Dimming Module)



Plug and Play 0-10V Dimming (Using our LC-DIM-5A Dimming Module)



INSTALLATION INSTRUCTIONS

DL-FLEX2-UP / DL-FLEX2-UP-HO / DL-FLEX2-UP-ULTRA / DL-FLEX2-UP-ULTRA-NIC



PLUG & PLAY SPECIAL APPLICATION (when long distance between 2 pieces of flexible tape is required)



HARDWIRE SPECIAL APPLICATION (when long distance between 2 pieces of flexible tape is required)

