

J1TR / J2TR TRACK • RECESSED CHANNEL

INSTALLATION INSTRUCTIONS



READ AND FOLLOW ALL SAFETY INSTRUCTIONS



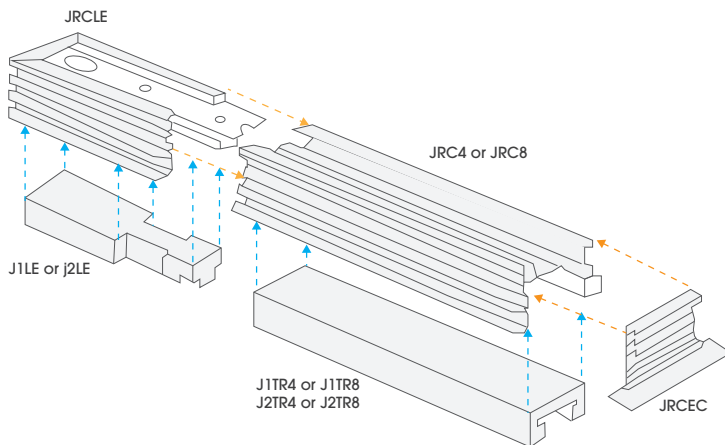
WARNING - RISK OF FIRE AND ELECTRICAL SHOCK. FIXTURE MUST BE INSTALLED BY A QUALIFIED ELECTRICIAN ONLY. FIXTURE IS INTENDED FOR INSTALLATION IN ACCORDANCE WITH THE NATIONAL ELECTRICAL CODE, LOCAL AND FEDERAL SPECIFICATIONS. DISCONNECT POWER AT ELECTRICAL PANEL BEFORE SERVICING. RETAIN THESE INSTRUCTIONS FOR MAINTENANCE REFERENCE.

- **Do not** install track in damp or wet location
- **Do not** install any fixture assembly closer than 6 inches from any curtain or combustible materials.
- **Do not** install any part of the track system less than 5 feet above the floor.
- **Do not** attempt to energize anything other than lighting fixtures on the track. To reduce risk of fire and electrical shock, **do not** attempt to connect power tools, extension

cords, convenience receptacle adapters, appliances or the like to the track.

- **Do not** connect a track to more than one branch circuit. Although track light system may seem to operate acceptably, a dangerous overload of the neutral may occur and result in a risk of fire.
- The track and all components are rated 120V 50/60 Hz 20A max. per circuit. **Do not** exceed the nominal supply voltage and current rating.

CHANNEL INSTALLATION



JRC4 or JRC8 CONTENTS

- (4) 6 3/8" mounting tabs, (6) with JRC8
- (2) 3" connecting tabs with set screws
- (4) 1 1/2" tabs for depth adjustments
- (2) 1 3/8" tabs for mounting end piece

1. Recessed channel may be suspended with the provided mounting tabs (use 4 for each 4-ft sections and 6 for each 8ft section) or with wood screws into wood furring.
2. Mounting tabs are attached to the channel by bending the tab portion at a right angle (where it joins the perforated section) and inserting the tab into the channel in each side of the housing extrusion. Attach tabs to any firm component of the ceiling system.
 - a. Wood furring: drill holes in the top of the housing extrusion and mount with #10 wood screws.
 - b. T-bar ceiling: suspend housing to permanent ceiling, making sure the bottom of the housing is level with the bottom of the T-bar. Use bottom outer edge of housing as "T-bar" for that side of the ceiling tile.
3. The recessed channel may be field cut to required lengths. A straight squared cut is necessary to insure proper fit.

	Description	J1, J2 Track	Finish
	4' Recessed Channel 8' Recessed Channel 2 3/4" W x 1 1/2" H	JRC4 JRC8	WT
	Recessed Housing for End Feed 5 1/2" L x 2 3/4" W x 1 1/2" H	JRCLE	WT
	End Feed 4 7/8" L x 1 7/8" W x 3/4" H	J1LE J2LE	BK WT
	J1 or J2 Track 4' Track 8' Track	J1TR4 J1TR8 J2TR4 J2TR8	BK WT
	End Cap for Recessed Channel 1 1/2" L x 2 3/4" W x 3/8" H	JRCEC	WT

4. The bottom edges of the channel flange should overlap the ceiling surface.
5. The 1 1/2" tabs must be inserted into the channel to create a depth adjustment.
6. When using two or more channels in a run, use the two 3" connecting tabs which slide into the slots on the side of the channel. Place the connecting tab into the slot on one channel and tighten set screw. Insert second channel into protruding connecting tab, pull flush and tighten set screws.
7. Each run, or individual channel, is complete with an end cap (JRCEC) mounted to the end of the channel with the two L-brackets provided. The short end of the bracket is inserted into the end cap, the long end is then inserted into the open end of the channel and lock in place using the set screws.

J1TR / J2TR TRACK • RECESSED CHANNEL

INSTALLATION INSTRUCTIONS

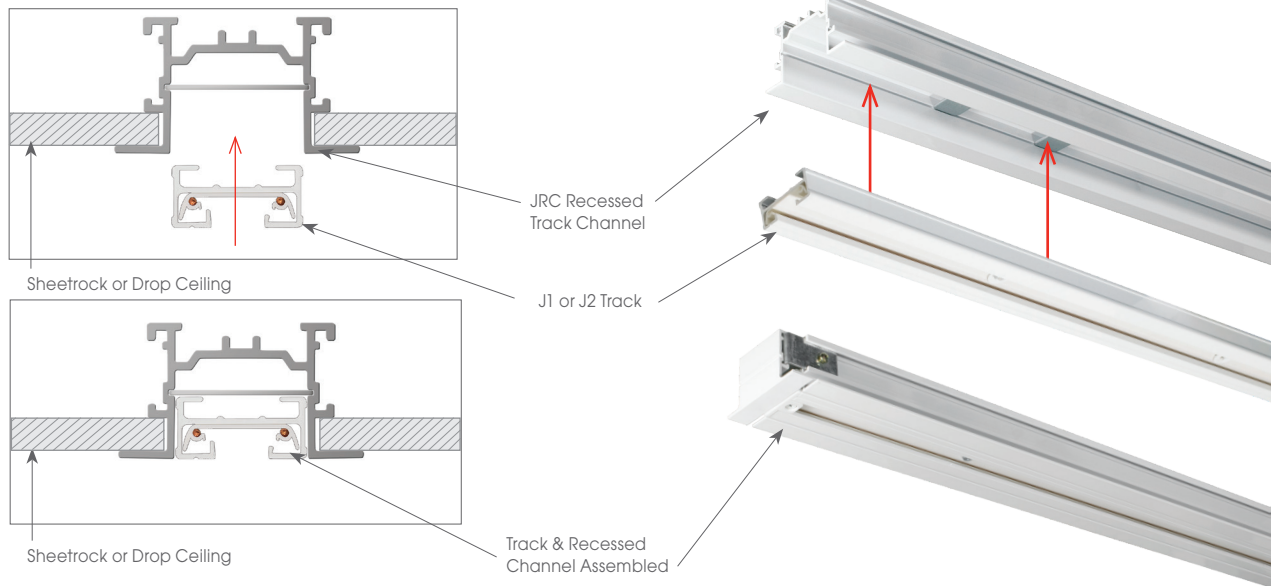


READ AND FOLLOW ALL SAFETY INSTRUCTIONS



WARNING - RISK OF FIRE AND ELECTRICAL SHOCK. FIXTURE MUST BE INSTALLED BY A QUALIFIED ELECTRICIAN ONLY. FIXTURE IS INTENDED FOR INSTALLATION IN ACCORDANCE WITH THE NATIONAL ELECTRICAL CODE, LOCAL AND FEDERAL SPECIFICATIONS. DISCONNECT POWER AT ELECTRICAL PANEL BEFORE SERVICING. RETAIN THESE INSTRUCTIONS FOR MAINTENANCE REFERENCE.

TRACK INSTALLATION



1. Firmly insert the end feed (J1LE or J2LE) into single- or two-circuit track (the small arrow on the end feed must point towards the polarity line), remove cover to access wiring connections and tighten locking screw.
2. Mounting holes are provided to install the track into the channel (2 per 4ft section and 3 per 8ft section). If other than standard length is used, align the track with the start of the recessed channel and mark hole locations to drill for mounting screws and mount track into the channel.
3. When more than one track is used in a run, the mini connector (J1D or J2U) may be used to connect track sections. No additional connector housings are required. If an additional feed is required in a straight run then use the full size straight connector (J1ILP or J2ILP) with the JRCIP connector housing.
4. Keep track end cap (provided with each track) in place when making the connection, then remove for on-going connection). The last piece of track in a run should have the end cap felt in place. It may be necessary to trim up to 3mm off the last track section and bus bar for a perfect fit.

ELECTRICAL POWER CONNECTION

1. Attach flex or conduit to the knockout in the end feed housing (JRCLE) or any of the other connector/feed housings.
2. Pull the power leads through and connect to terminal screws provided in Single- or Two-Circuit end feeds (J1LE or J2LE) or any of the feed connectors (J1ILP, J2ILP, J1TP, J2TP, J1XP or J2XP).

ELECTRICAL INSTALLATION MUST BE IN ACCORDANCE WITH LOCAL CODES