

# P22 SERIES • NEW CONSTRUCTION IC

## INSTALLATION INSTRUCTIONS



### READ AND FOLLOW ALL SAFETY INSTRUCTIONS

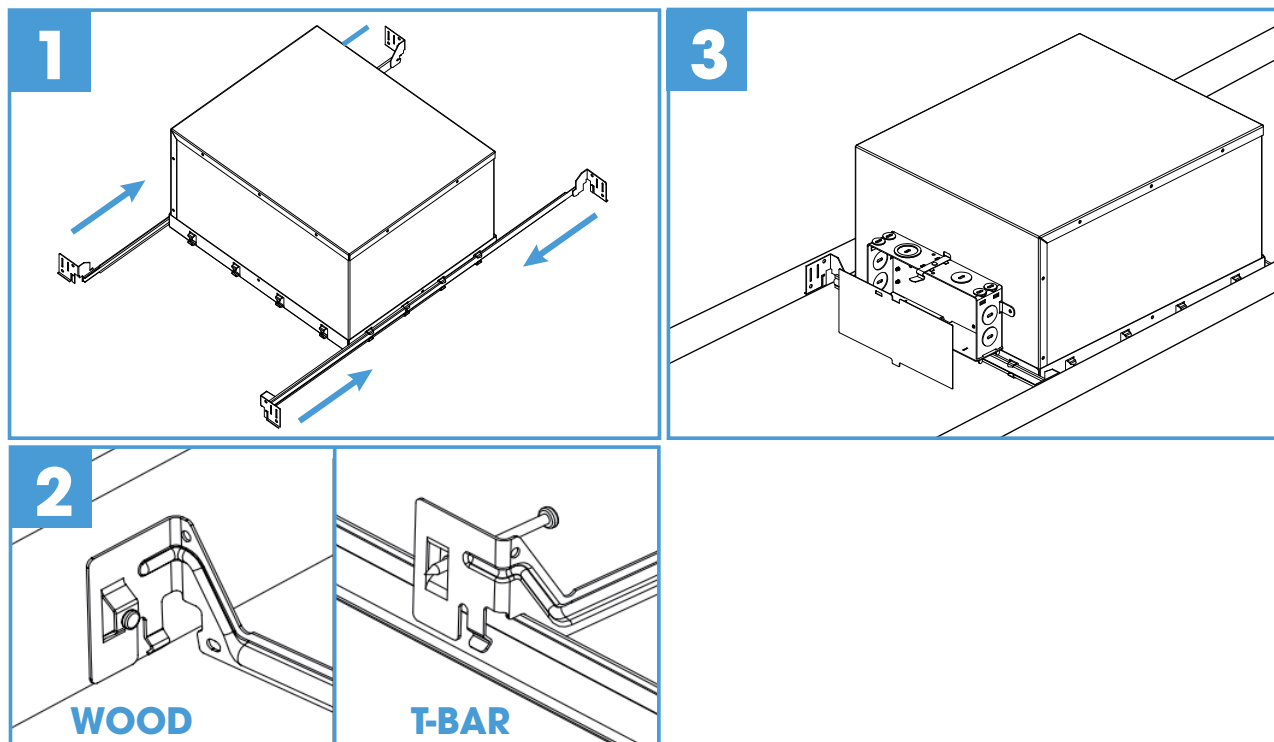
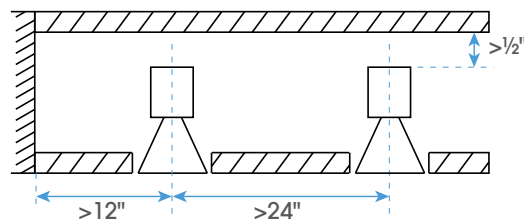


**WARNING - RISK OF FIRE AND ELECTRICAL SHOCK. FIXTURE MUST BE INSTALLED BY A QUALIFIED ELECTRICIAN ONLY. FIXTURE IS INTENDED FOR INSTALLATION IN ACCORDANCE WITH THE NATIONAL ELECTRICAL CODE, LOCAL AND FEDERAL SPECIFICATIONS. DISCONNECT POWER AT ELECTRICAL PANEL BEFORE SERVICING. RETAIN THESE INSTRUCTIONS FOR MAINTENANCE REFERENCE.**

#### ROUND CUT-OUTS

#### SQUARE CUT-OUTS

	P22-25	P22-35S P22-35P	P22-45P		P22-25	P22-35S P22-35P	P22-45P
	3 1/8" Ø (80 mm)	4" Ø (101 mm)	4 3/4" Ø (121 mm)		3 3/4" x 3 3/4" (95 x 95 mm)	4 3/4" x 4 3/4" (121 x 121 mm)	3 1/8" x 3 1/8" (80 x 80 mm)
	3 1/8" Ø (80 mm)	3 3/4" Ø (95 mm)	4 3/4" Ø (121 mm)		3 3/4" x 3 3/4" (95 x 95 mm)	4 3/4" x 4 3/4" (121 x 121 mm)	3 1/8" x 3 1/8" (80 x 80 mm)



**DO NOT EXCEED DRIVE CURRENT AS INDICATED ON LIGHT ENGINE**

# P22 SERIES • NEW CONSTRUCTION IC

## INSTALLATION INSTRUCTIONS

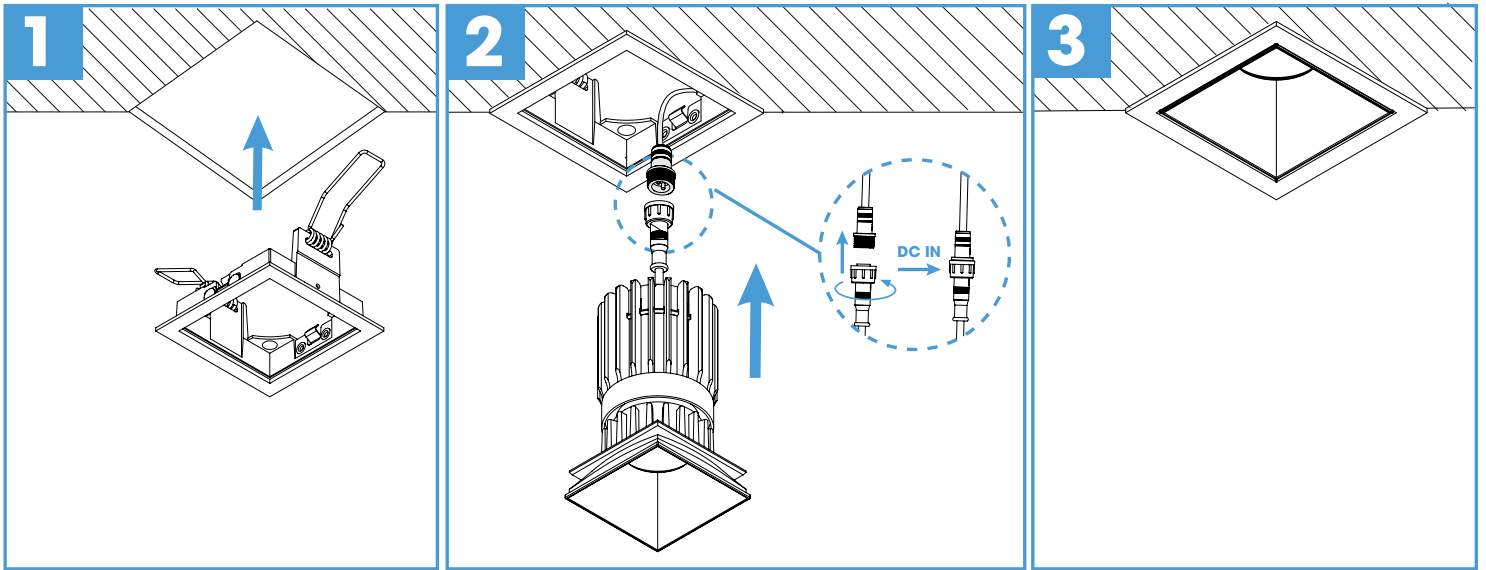


### READ AND FOLLOW ALL SAFETY INSTRUCTIONS



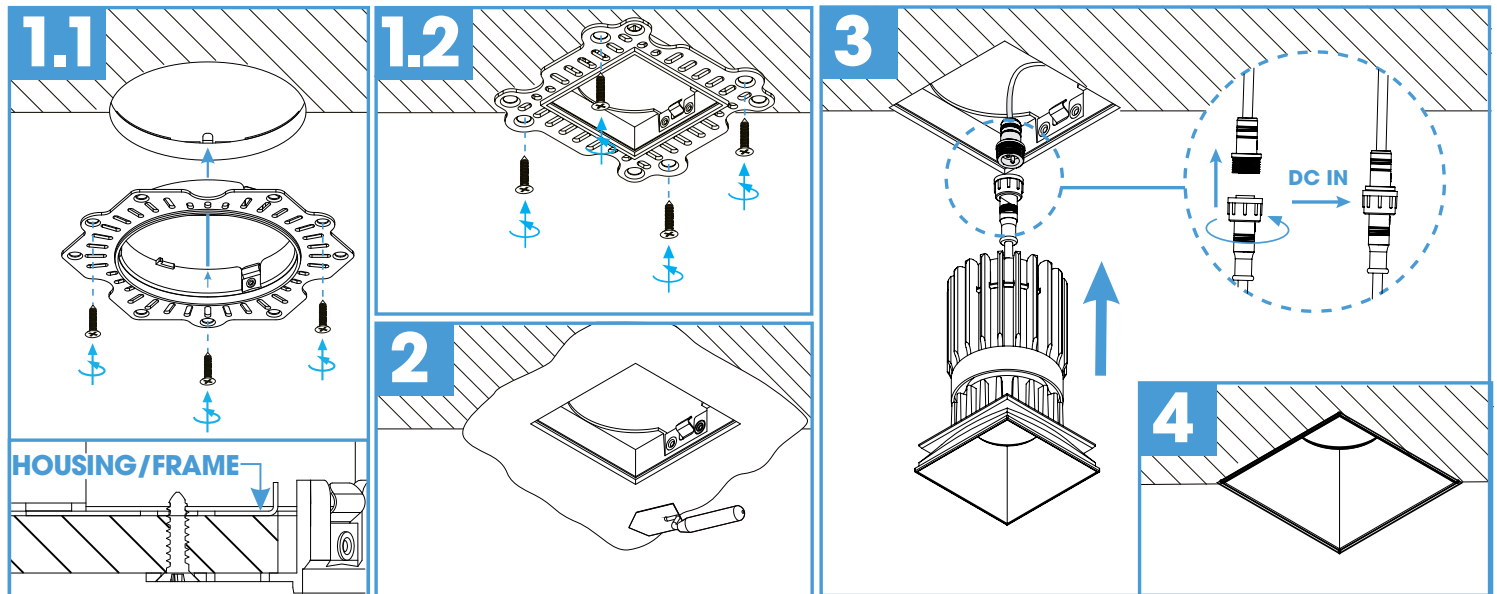
**WARNING - RISK OF FIRE AND ELECTRICAL SHOCK. FIXTURE MUST BE INSTALLED BY A QUALIFIED ELECTRICIAN ONLY. FIXTURE IS INTENDED FOR INSTALLATION IN ACCORDANCE WITH THE NATIONAL ELECTRICAL CODE, LOCAL AND FEDERAL SPECIFICATIONS. DISCONNECT POWER AT ELECTRICAL PANEL BEFORE SERVICING. RETAIN THESE INSTRUCTIONS FOR MAINTENANCE REFERENCE.**

#### TRIM



#### TRIMLESS

Align arrow on trimless flange to tab on housing/frame for proper mounting



**DO NOT EXCEED DRIVE CURRENT AS INDICATED ON LIGHT ENGINE**