

P22 SERIES • NEW CONSTRUCTION

INSTALLATION INSTRUCTIONS



READ AND FOLLOW ALL SAFETY INSTRUCTIONS

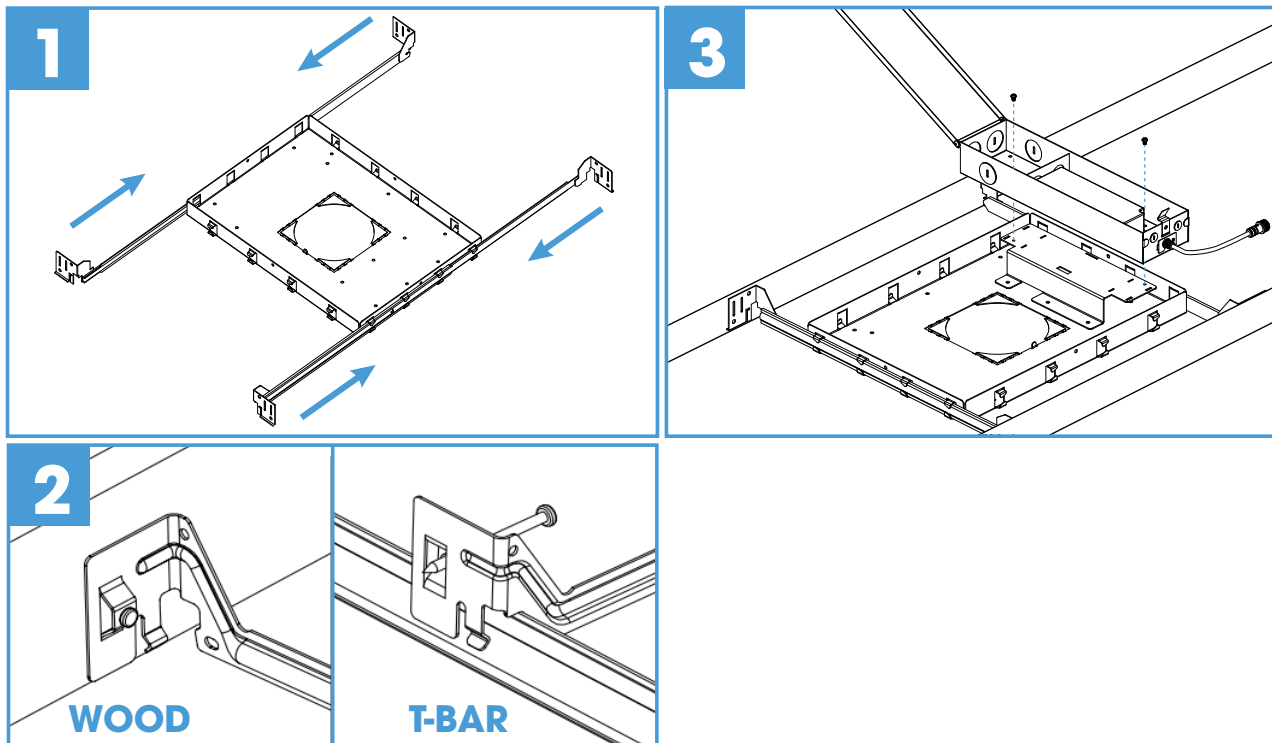
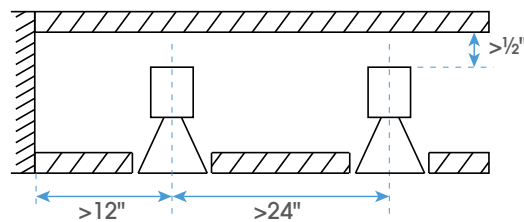


WARNING - RISK OF FIRE AND ELECTRICAL SHOCK. FIXTURE MUST BE INSTALLED BY A QUALIFIED ELECTRICIAN ONLY. FIXTURE IS INTENDED FOR INSTALLATION IN ACCORDANCE WITH THE NATIONAL ELECTRICAL CODE, LOCAL AND FEDERAL SPECIFICATIONS. DISCONNECT POWER AT ELECTRICAL PANEL BEFORE SERVICING. RETAIN THESE INSTRUCTIONS FOR MAINTENANCE REFERENCE.

ROUND CUT-OUTS

SQUARE CUT-OUTS

	P22-25	P22-35S P22-35P	P22-45P		P22-25	P22-35S P22-35P	P22-45P
	3 1/8" Ø (80 mm)	4" Ø (101 mm)	4 3/4" Ø (121 mm)		3 3/4" x 3 3/4" (95 x 95 mm)	4 3/4" x 4 3/4" (121 x 121 mm)	3 1/8" x 3 1/8" (80 x 80 mm)
	3 1/8" Ø (80 mm)	3 3/4" Ø (95 mm)	4 3/4" Ø (121 mm)		3 3/4" x 3 3/4" (95 x 95 mm)	4 3/4" x 4 3/4" (121 x 121 mm)	3 1/8" x 3 1/8" (80 x 80 mm)



DO NOT EXCEED DRIVE CURRENT AS INDICATED ON LIGHT ENGINE

P22 SERIES • NEW CONSTRUCTION

INSTALLATION INSTRUCTIONS

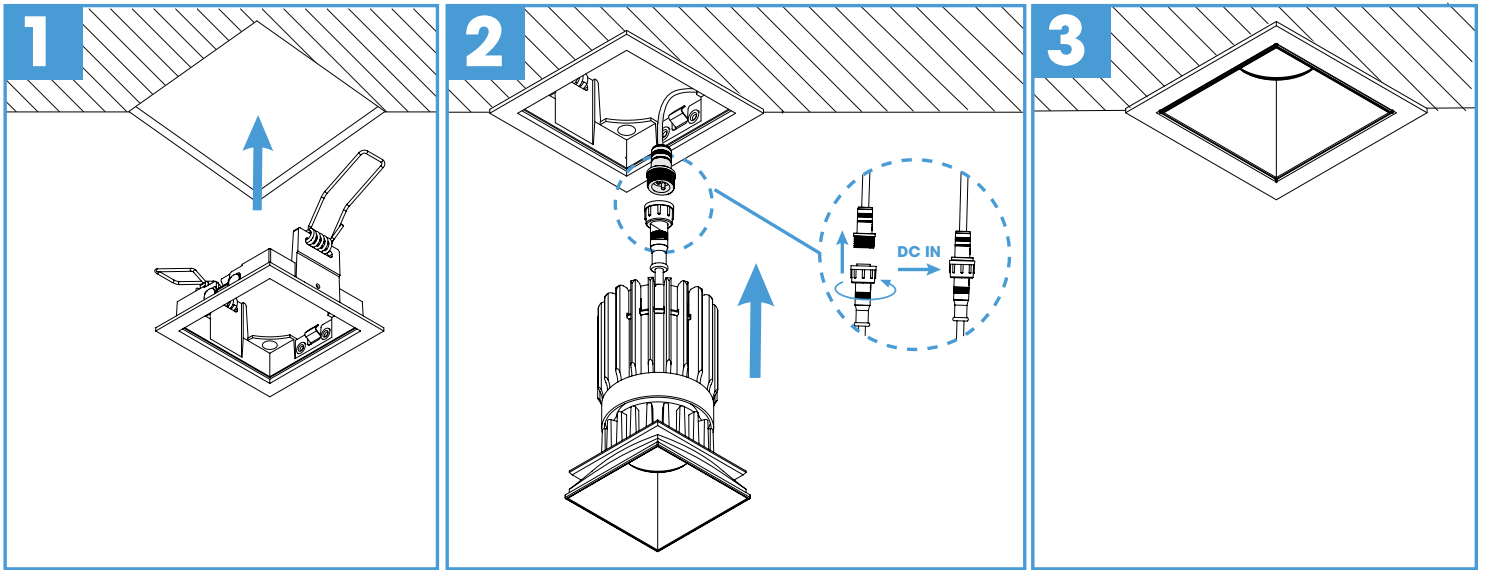


READ AND FOLLOW ALL SAFETY INSTRUCTIONS



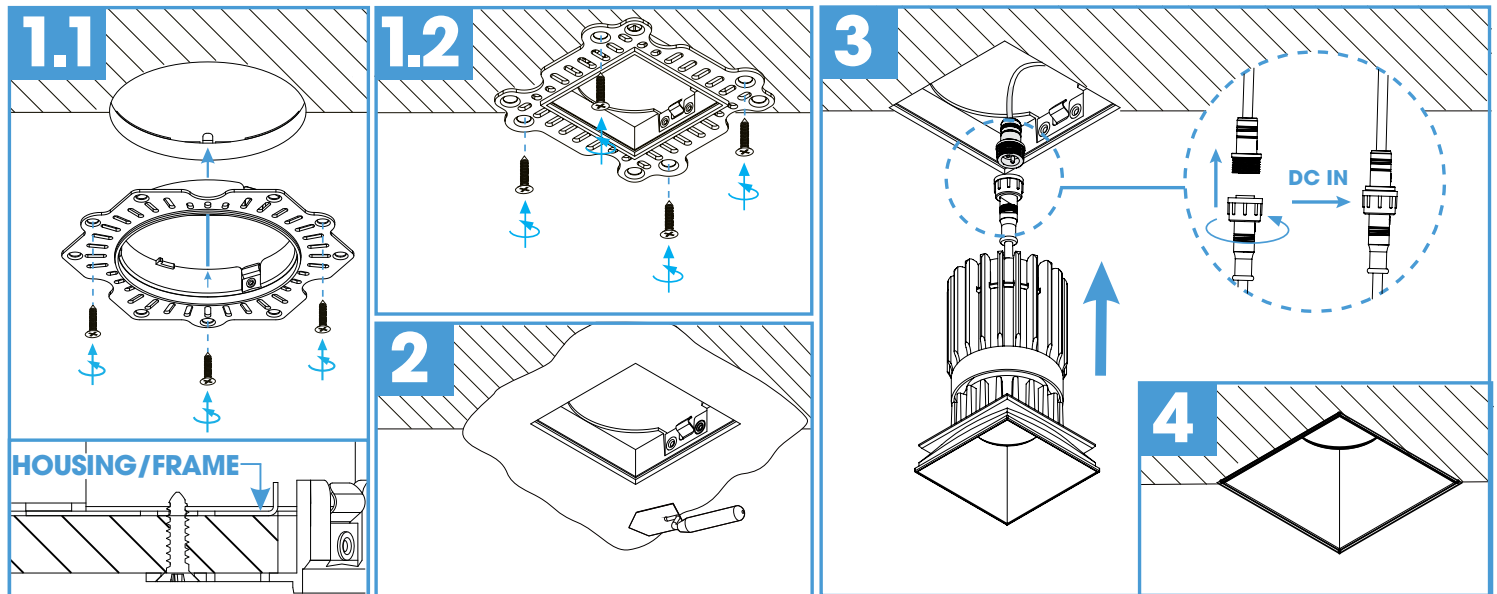
WARNING - RISK OF FIRE AND ELECTRICAL SHOCK. FIXTURE MUST BE INSTALLED BY A QUALIFIED ELECTRICIAN ONLY. FIXTURE IS INTENDED FOR INSTALLATION IN ACCORDANCE WITH THE NATIONAL ELECTRICAL CODE, LOCAL AND FEDERAL SPECIFICATIONS. DISCONNECT POWER AT ELECTRICAL PANEL BEFORE SERVICING. RETAIN THESE INSTRUCTIONS FOR MAINTENANCE REFERENCE.

TRIM



TRIMLESS

Align arrow on trimless flange to tab on housing/frame for proper mounting



DO NOT EXCEED DRIVE CURRENT AS INDICATED ON LIGHT ENGINE