

# P22 SERIES • REMODEL

## INSTALLATION INSTRUCTIONS

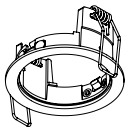


# READ AND FOLLOW ALL SAFETY INSTRUCTIONS



**WARNING** - RISK OF FIRE AND ELECTRICAL SHOCK. FIXTURE MUST BE INSTALLED BY A QUALIFIED ELECTRICIAN ONLY. FIXTURE IS INTENDED FOR INSTALLATION IN ACCORDANCE WITH THE NATIONAL ELECTRICAL CODE, LOCAL AND FEDERAL SPECIFICATIONS. DISCONNECT POWER AT ELECTRICAL PANEL BEFORE SERVICING. RETAIN THESE INSTRUCTIONS FOR MAINTENANCE REFERENCE.

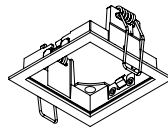
### ROUND CUT-OUTS



**P22-25**  
3 1/8" Ø  
(80 mm)

**P22-35S  
P22-35P**  
4" Ø  
(101 mm)

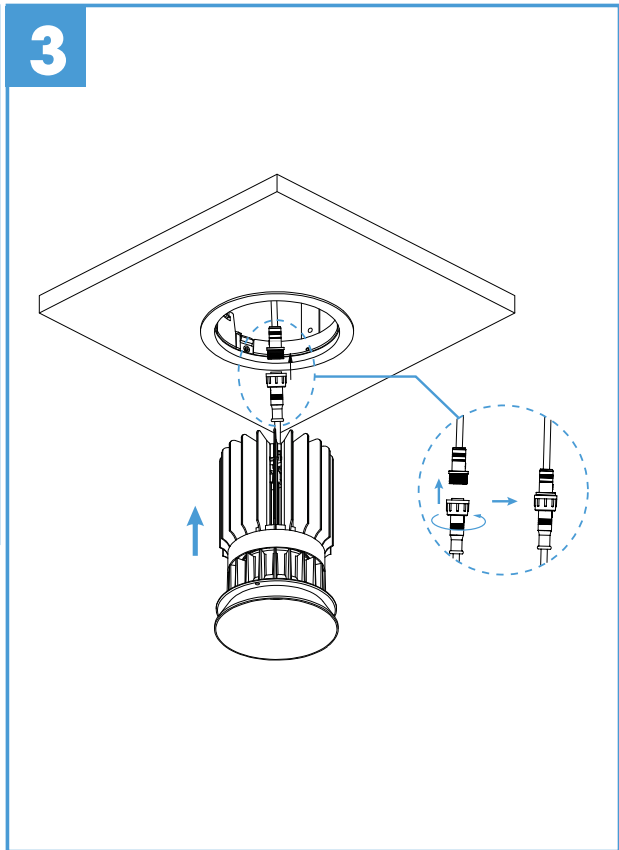
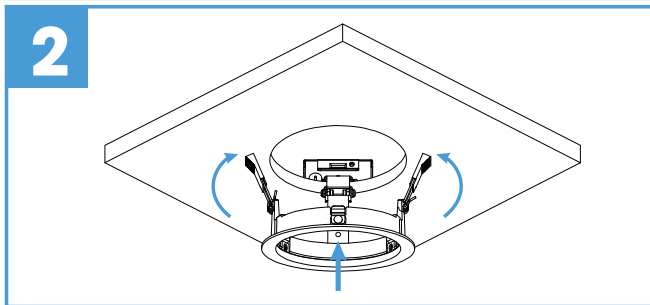
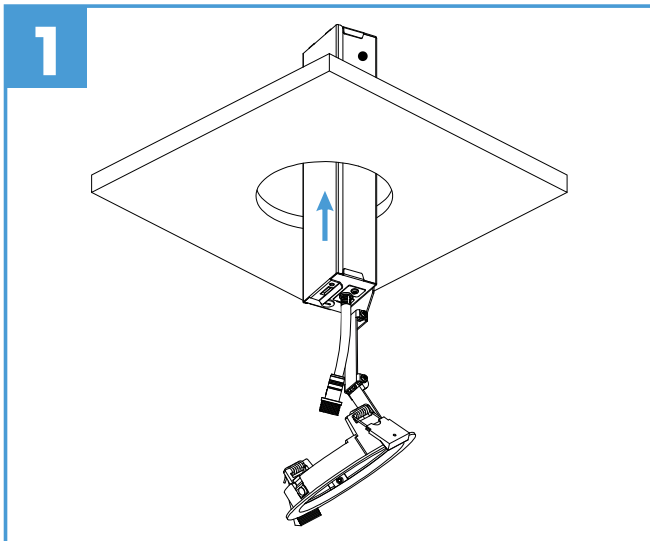
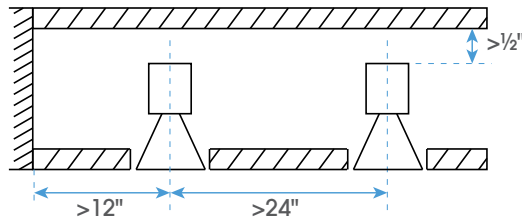
**P22-45P**  
4 3/4" Ø  
(121 mm)



**P22-25**  
3 3/4" x 3 3/4"  
(95 x 95 mm)

**P22-35S  
P22-35P**  
4 3/4" x 4 3/4"  
(121 x 121 mm)

**P22-45P**  
3 1/8" x 3 1/8"  
(80 x 80 mm)



**DO NOT EXCEED DRIVE CURRENT AS INDICATED ON LIGHT ENGINE**

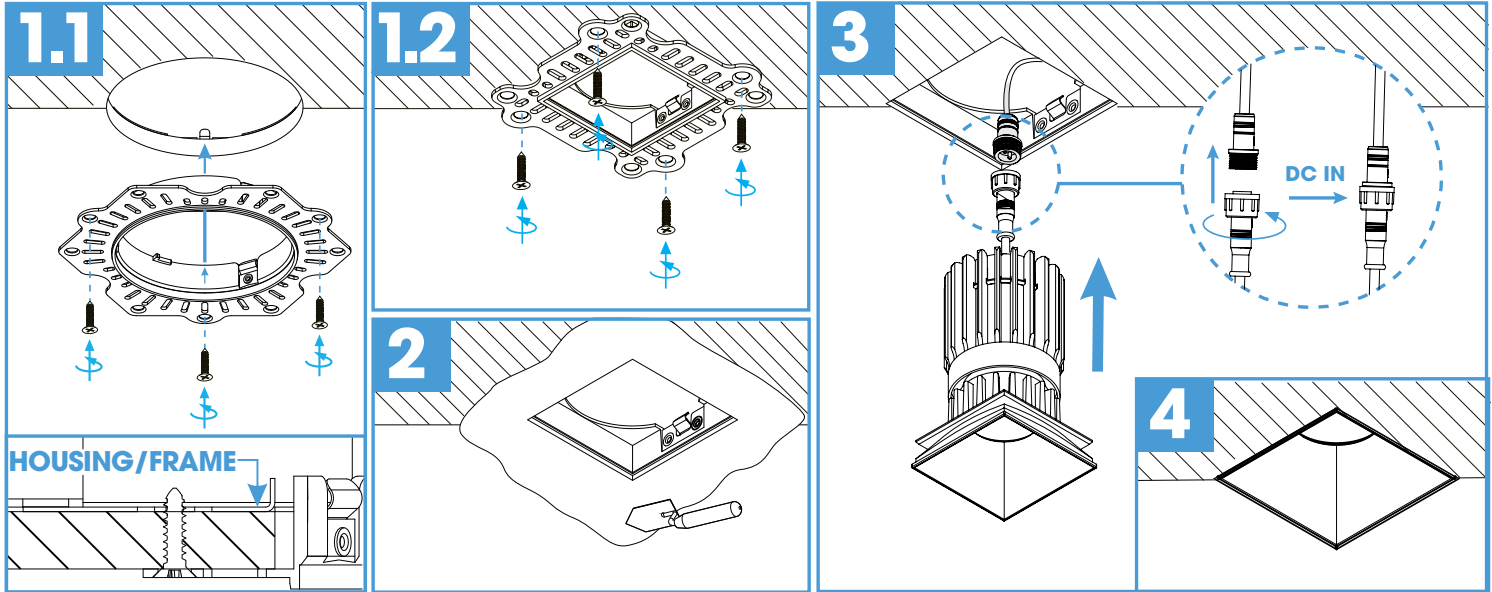


# READ AND FOLLOW ALL SAFETY INSTRUCTIONS



**WARNING** - RISK OF FIRE AND ELECTRICAL SHOCK. FIXTURE MUST BE INSTALLED BY A QUALIFIED ELECTRICIAN ONLY. FIXTURE IS INTENDED FOR INSTALLATION IN ACCORDANCE WITH THE NATIONAL ELECTRICAL CODE, LOCAL AND FEDERAL SPECIFICATIONS. DISCONNECT POWER AT ELECTRICAL PANEL BEFORE SERVICING. RETAIN THESE INSTRUCTIONS FOR MAINTENANCE REFERENCE.

**TRIMLESS** Align arrow on trimless flange to tab on housing/frame for proper mounting



**DO NOT EXCEED DRIVE CURRENT AS INDICATED ON LIGHT ENGINE**