



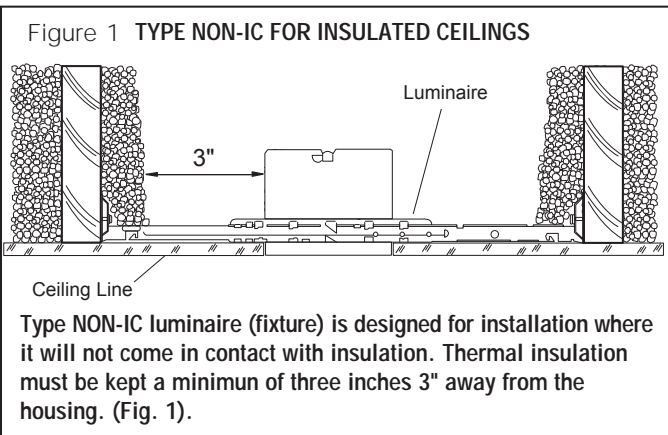
LED ROUND DOWNLIGHT HOUSING INSTALLATION INSTRUCTIONS

WARNING- Risk of fire or electric shock.

1. Risk of Fire - Supply conductors (power wires) connecting the fixture must be rated minimum 194°F. If uncertain consult an electrician.
2. Risk of Electric Shock - Disconnect power at fuse or circuit breaker before installing or servicing.
3. Risk of Fire/Electric Shock - If not qualified, consult an electrician.
4. To prevent wiring damage or abrasion, do not expose wiring to edges of sheet metal or other sharp objects.

NOTES:

1. If luminaire (fixture) is to be switched from a wall switch, make sure black power supply wire is connected to the switch. DO NOT connect the white power supply to the switch.
2. Make certain no bare wires are exposed outside the wire nut connectors.

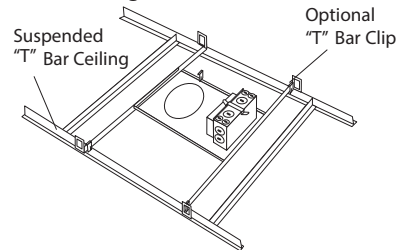


4. Connect supply wires to corresponding fixture wires. Replace J-Box cover.
5. Locate center of fixture opening in the ceiling sheetrock and cut a 5-1/8" (for 4") or 4-1/16" (for 3-1/2") round hole.

INSTALLATION IN SUSPENDED CEILINGS

1. Locate proposed fixture center in the ceiling tile and cut a 5-1/8" (for 4") or 4-1/16" (for 3-1/2") round hole.
2. Place ceiling tile in the T-bar grid.
3. Place fixture into position and snap bar hanger foot with integral T-bar clips onto T-bars (Fig. 3).

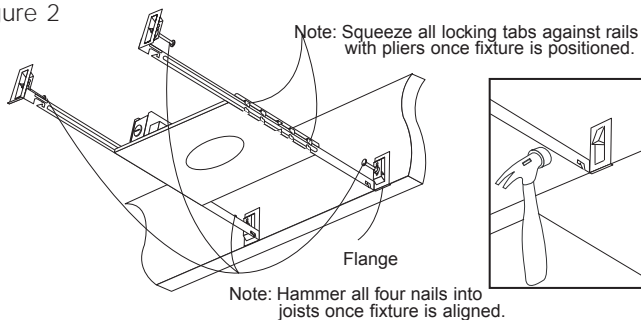
Figure 3



INSTALLATION IN NEW CONSTRUCTION

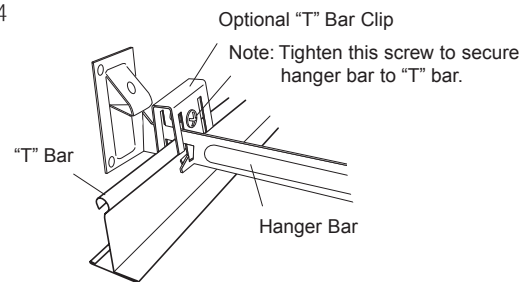
1. Extend hanger bars to fit between joists. Align the flange of the hanger bar with the underside of the joists and nail the hanger bar to the joist (Fig. 2). Level the opposite end of the hanger bar and nail it securely to the joist. Repeat the process with the other hanger bar
2. Position fixture between joists at desired location by sliding housing on hanger bars. Once the housing is in the desired location, squeeze tabs into hanger bars to lock luminaire (fixture) into place (Fig 2).

Figure 2



4. Secure hanger bars to T-bars and properly support the fixture from the building structure.
Note: Optional T-Bar Clips and screws may be used as local code authority or site conditions require (Fig. 4).
5. To secure luminaire (fixture) position in ceiling, squeeze tabs into hanger bars to lock luminaire (fixture) into place on bars.
6. Follow steps 3 through 4 under "INSTALLATION IN NEW CONSTRUCTION"

Figure 4



3. Remove Knockout from J-Box for Conduit connector. Remove J-Box cover, attach conduit to J-Box and secure.