



## LED ROUND DOWNLIGHT LIGHT ENGINE INSTALLATION INSTRUCTIONS

### Installation into Recessed Housing

1. Turn power off at fuse or circuit breaker box.
2. Align orange quick connects from Light Engine with quick connects from housing and snap them together.
3. Snap the two halves of the metal connector case together.
4. Tuck flexible conduit whip into the housing and carefully push the driver and connection box into existing housing. (Fig. 1)
5. Press clips upwards until vertical, then carefully push the light engine / reflector assembly into housing until trim is flush with the ceiling. (Fig. 2)
6. Turn power back on.

Figure 1

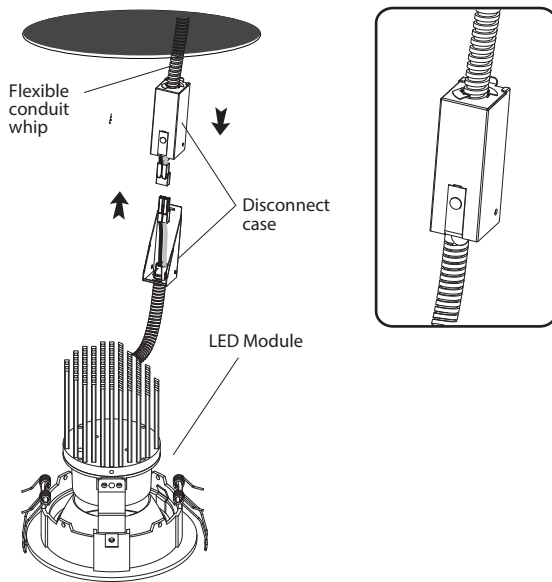


Figure 2

