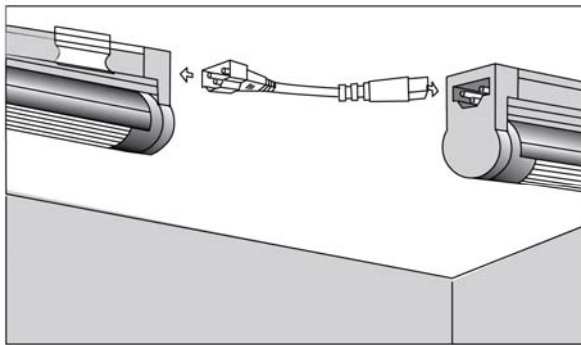
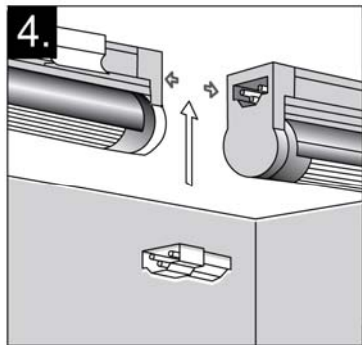
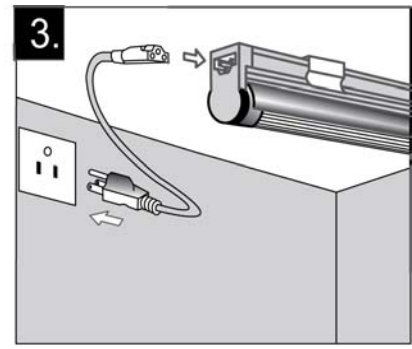
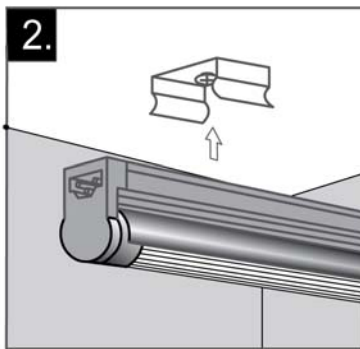
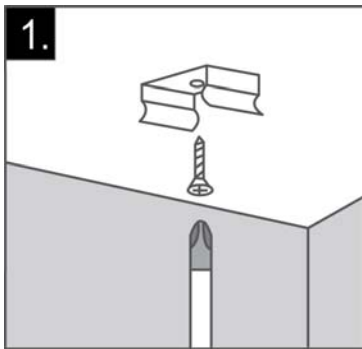


# INSTALLATION INSTRUCTIONS

## SLEEK PLUS



1. To install Sleek Plus place the fixture under the cabinet or shelf, in the desired position to provide the maximum light output on the task surface. For shelving or cabinets, the position is often mounted against the back splash, under the cabinet or under the front trim of the cabinet in order to maintain the quality of light and reduce glare.
2. With a pencil; mark both ends of the fixture and the screw holes for the metal mounting clips. Make sure you leave enough room at the end of the fixture to install the Power Cord.
3. Screw the brackets into place. Snap the Sleek Plus fixture into the bracket. Connect the power cord. Turn cord. Turn on the light.
4. Sleek Plus is furnished with an exclusive direct connector for joining fixtures together. Linkable up to 10 units Max. 350 Watts. Power cords and connecting cables sold separately.



# INSTALLATION INSTRUCTIONS

## SLEEK PLUS

---



### SAVE THESE INSTRUCTIONS

### IMPORTANT SAFETY INSTRUCTIONS

When installing or using this product, basic safety precautions should always be followed including the following:

1. Read all instructions before attempting to install this product.
2. Ensure main power is off before installing or wiring this product.
3. Ensure correct voltage is being used for this product.
4. Disconnect electrical power before adding to or changing the configuration of this product.
5. Do not install this fixture in damp or wet locations.
6. Fixtures must be installed by a qualified electrician in accordance with all national and local electrical and construction codes and regulation.