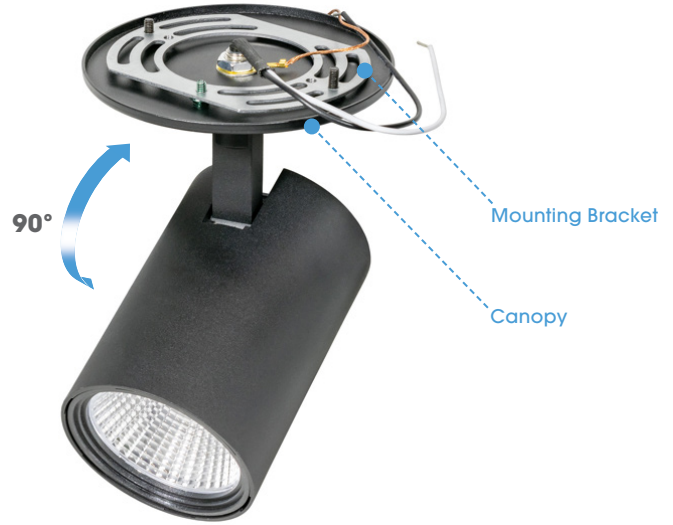


CM-L562M

120V LED CANOPY MOUNTED
TRACK LIGHTING • MEDIUM



Fixture Type
Project
Notes



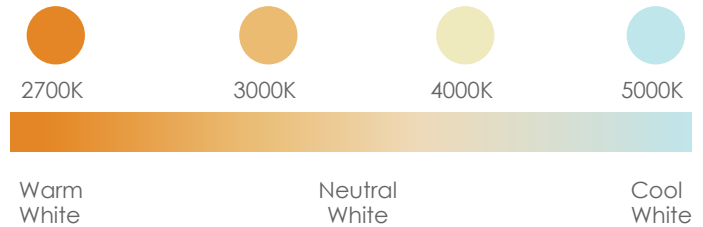
The **CM-L562** series is a high-output LED luminaire that features an adjustable head allowing the optimum positioning of light within a 90° vertical head rotation and a 360° horizontal rotation. It has a modern cylindrical design with no exposed wiring and no separate power supply housing. It is made from premium die-cast aluminum. Available in black or white finish and multiple optics for different beam angles.

120V AC	TRIAC DIMMABLE	2SDCM	360°	90°	INDOOR	L70 50,000 HOURS	5 YEAR WARRANTY	ETL LISTED US Intertek	CALIFORNIA JA8 TITLE 24 COMPLIANT
---------	----------------	-------	------	-----	--------	------------------------	-----------------------	------------------------	-----------------------------------

SPECIFICATIONS

INPUT VOLTAGE	120V AC 50/60Hz, 0.18A
WATTAGE	22 W
LUMENS	1900 Lm @4000K
CRI	90+
BEAM ANGLE	15°, 24°, 38°
DIMMING ¹	TRIAC Dimming
DIMENSIONS	3 1/4" Ø x 5 1/8" L x 7" Ext. (80 x 130 x 178 mm)
HORIZONTAL AIM	360°
VERTICAL AIM	90°
ENVIRONMENT	Indoor - Dry
CERTIFICATIONS	cETLus
LUMEN MAINTENANCE	50,000 hours
WARRANTY ²	5 years

COLOR TEMPERATURE PHOTOMETRIC DATA



¹ Effectively dim down to 10%
² See published warranty terms for detailed information

ORDERING INFO

SYSTEM	SERIES	CCT / CRI	BEAM ANGLE	FINISH
CM	L562M			
CM - Canopy Mounted	L562M - 3 1/4" Ø	2790 - 2700K / 90 CRI 3090 - 3000K / 90 CRI 3590 - 3500K / 90 CRI 4090 - 4000K / 90 CRI 5090 - 5000K / 90 CRI	15D - 15° 24D - 24° 38D - 38°	BK - Black WH - White

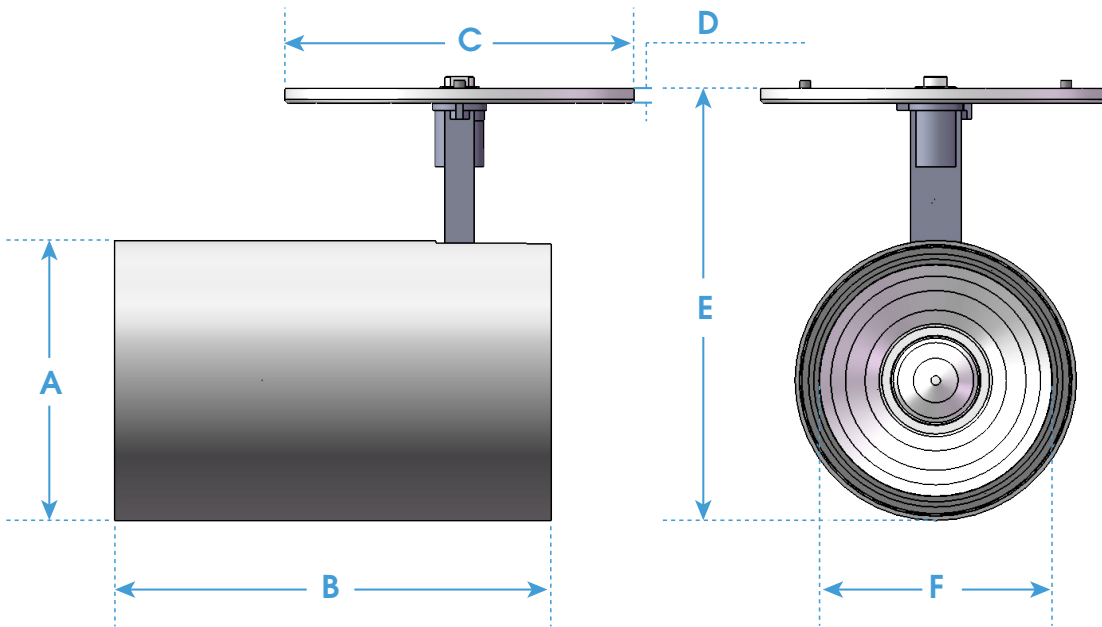
CM-L562M

120V LED CANOPY MOUNTED
TRACK LIGHTING • MEDIUM



Fixture Type
Project
Notes

TECHNICAL DRAWING



DIMENSIONS		
A	3 1/4" Ø	(80 mm)
B	5 1/8" L	(130 mm)
C	4 3/4" Ø	(120 mm) above ceiling
D	1/4"	(6.35 mm)
E	5 1/4" H	(133 mm)
F	2 1/16" Ø	(65 mm)

COMPATIBLE DIMMERS

COOPER	SAL06P
LEVITON	6672, 6674, IPL06
LUTRON	TGCL-153PH, LGCL-153PH, MACL-153M, DVCL-153P, CTCL-153P
PASS & SEYMOUR	HCL453P