



CM405R-S ULTRA THIN ROUND MINI DISK

Low Profile Ceiling Fixture, ADA Sconce or Retrofit (4" Housing) with Polycarbonate Shade
Line Voltage LED Fixture

Type	
Project	
Catalog No.	



DESCRIPTION



The CM405R series is the next generation of residential and commercial lighting incorporating JESCO's exclusive *Driverless AC LED* technology. Operating directly off of AC voltage, no secondary LED driver is required. The unique design, only 1 1/4" high, allows for ultimate flexibility, installs easily onto a standard junction box. It can also be used as a retrofit on any 4" IC or Non-IC recessed downlight housing. The fixture incorporates a 12W LED module which emits up to 670 lumens which exceeds the lumen output of a 40W incandescent lamp. It can be dimmed by most standard incandescent, electronic or magnetic low voltage, and CFL/LED dimmers. Operating at 277 VAC can be accomplished with an additional transformer.

FEATURES

- Up to 670 lumens emitted from fixture
- JESCO's exclusive *Driverless AC LED* technology eliminates the need for an in-line or secondary LED driver, incorporated with our advanced heat sink design, provides superior thermal management for true 50,000 hours of operation with 70% lumen maintenance
- Patent pending inrush current / surge protection designed to prevent damage to both LED module and dimmer
- 2700K, 3000K and 4000K
- Dimmable 10-100% with most leading or trailing edge incandescent or low voltage dimmers
- ADA compliant wall sconce
- Wet location listed
- Suitable for use in closet applications
- Eco Friendly – No mercury or hazardous material
- J-box mounted or it can be used as an LED retrofit for a 4" recessed downlight



SPECIFICATIONS

Model	CM405R-S-XXXX-XX		
Description	Small LED Ceiling Fixture, ADA Sconce or Downlight Retrofit		
Input Voltage	120 VAC		
Wattage	12W		
CCT	2700K	3000K	4000K
CRI	90		
Lumens	655Lm	620Lm	670Lm
Efficacy	53Lm/W	48Lm/W	55Lm/W
Beam Angle	108.5°		
Power Factor	>0.97		
Dimming **	10-100% Triac, ELV, MLV, CFL/LED		
Dimensions***	6"Ø x 1 1/4"		
L₇₀	50,000 hours		
Finish	White, Brushed Nickel, Chrome		
Environment	Indoor - Dry/Damp/Wet		
Certifications	 		
Warranty	5 Years – see published warranty terms for detailed information		

** Recommended:
 - Thirty fixture maximum run on one 600W dimmer
 - Fifteen fixture maximum run on one 300W dimmer
 See Page 3 for recommended list of dimmers
 *** Dimensions on Page 2

ORDERING INSTRUCTIONS

MODEL	SHAPE	SIZE	CCT CRI	FINISH
CM	405R	S		
CM – Series	405R – Round Mini Disk	S – 4"	2790 – 2700K 90CRI 3090 – 3000K 90CRI 4000 – 4000K 90CRI	WH – White BN – Brushed Nickel* CH – Chrome*

Example: **CM405R-S-3090-WH**

*Consult factory



www.jescolighting.com
 support@jescolighting.com
 Tech Support: 855.592.0029

15 Harbor Park Drive
 Port Washington, NY 11050
 Main Line: 800.527.7796
 Fax Line: 855.265.5768

219 South 6th Ave
 City of Industry, CA 91746
 Main Line: 855.654.0110
 Fax Line: 626.333.2955

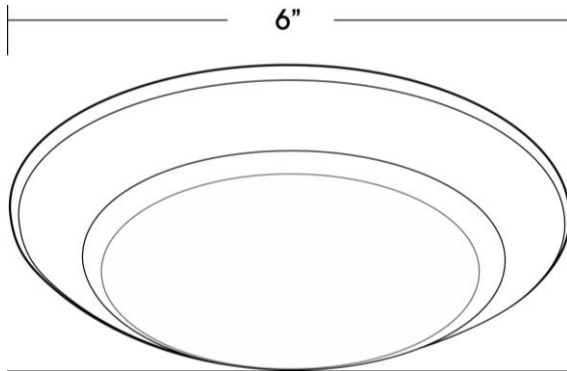
Specifications subject to change without notice.



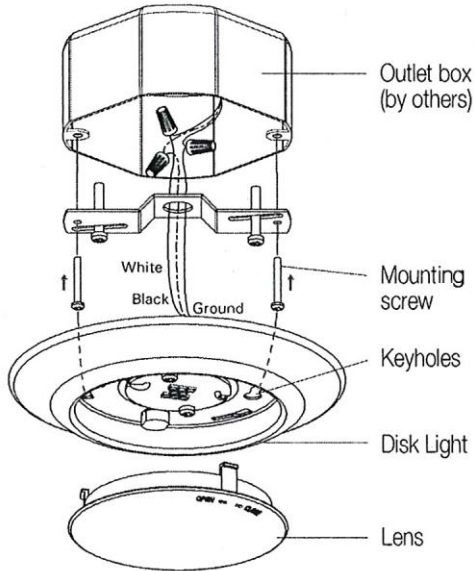
**CM405R-S ULTRA THIN
ROUND MINI DISK**
Low Profile Ceiling Fixture, ADA Sconce or
Retrofit (4" Housing) with Polycarbonate Shade
Line Voltage LED Fixture

Type	
Project	
Catalog No.	

DIMENSIONS



J-Box Mounting



4" Downlight Retrofit Mounting



OPTIONAL ACCESSORY

CM405S-MK Mounting Kit for 4" Retrofit includes:



Mounting Clip

Adapter





CM405R-S ULTRA THIN ROUND MINI DISK

Low Profile Ceiling Fixture, ADA Sconce or
Retrofit (4" Housing) with Polycarbonate Shade
Line Voltage LED Fixture

Type	
Project	
Catalog No.	

COMPATIBLE JESCO LINE VOLTAGE HOUSINGS

MODEL	DESCRIPTION	
RS2000B, RS2000BA, RS2000IC, RS2000ICA	4" Line Voltage New Construction	
RS2000R, RS2000RA	4" Line Voltage Remodel	

OTHER COMPATIBLE LINE VOLTAGE HOUSINGS

HALO H99T, H99RT, H99ICT
ALL-PRO ET400, ET400R, ET400AT
JUNO TC1, TC1R,
CAPRI R4, RR4, R4ASIC
LITHONIA L3, L3R
THOMAS PS4, PS4RM, PS4ASIC

COMPATIBLE DIMMERS

MANUFACTURER	STYLE	MODEL NUMBER	TYPE
Lutron	Diva	DVCL-153P	(CFL/LED)
	Diva	DVELV-303P	(Electronic Low Voltage)
	Diva	DVLV-600P	(Magnetic Low Voltage)
	Maestro	MACL-153M	(CFL/LED)
	Maestro	MFR2-6DN-120	(Spec Grade)
	Skylark	SELV-300P	(Electronic Low Voltage)
	Skylark	S-600	(Incandescent)
	Skylark Contour	CTCL-153P	(CFL/LED)
Leviton	Acenti	Ate06-1LW	(Electronic Low Voltage)
	Trimatron	705	(Incandescent)
Cooper	Devine	D106P	(Incandescent/Magnetic/Low Voltage)
Pass & Seymour	Harmony		(Incandescent 600W)