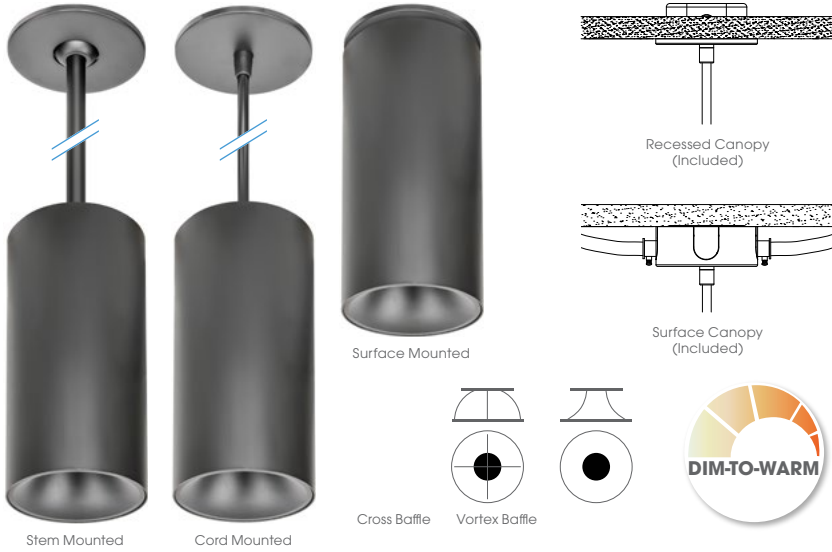


CYLINDRO

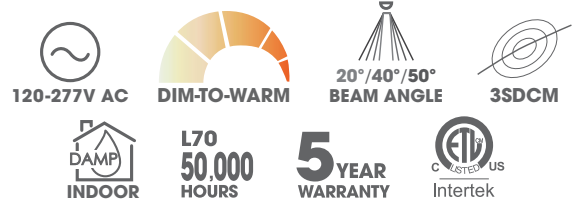
CYL40 DTW 4" DIM-TO-WARM CYLINDERS



Fixture Type
Project
Notes



CYLINDRO Collection of Specification Cylinders for Surface, Cord, and Swivel Stem Mounted applications, is designed for residential, hospitality, retail, and commercial spaces. The Vortex Baffle, with advanced optics, casts a uniform and comfortable light without harsh shadows. The Cross Baffle provides focused lighting with no glare. The Dim-To-Warm CYL40-DTW model provides 3000K at full brightness and dims to a warm 1800K with no hotspots. Fixtures are built to your exact specifications with a quick turn-around time, and ships ready to install.



SPECIFICATIONS

WATTAGE	10W	14W	18W
LUMENS	670 Lm	930 Lm	1200 Lm
EFFICACY	67 Lm/W	66 Lm/W	67 Lm/W
INPUT VOLTAGE	120-277V AC		
CRI	90+		
BEAM ANGLE	20°, 40°, 50°		
DIMMING	0-10V, CASAMBI Ready, see page 5		

ENVIRONMENT	Indoor - Damp
CERTIFICATIONS	c-ETL-us
LUMEN MAINTENANCE	50,000 hours
OPTIONAL	Emergency Battery Pack
OPERATING TEMP	-4°F ~ 104°F ambient without EM 32°F ~ 104°F ambient with EM
WARRANTY¹	5 years

¹ See published warranty terms for detailed information
Note: Lumen data based on 3000K 90CRI

PERFORMANCE DATA (Based on 3500K 90CRI Flood optic)

Luminaire Wattage	Delivered Lumens	Lumens/Watt	Emergency Power
10W	670 Lm	67	10W / 980 Lm
14W	930 Lm	66	14W / 930 Lm
18W	1200 Lm	67	15W / 1000 Lm

TECHNICAL PARAMETERS

Dimming Protocol	Dimming Range	Input Voltage	Power Factor	THD
0-10V	3%-100% dim to off	120V AC - 277V AC	>0.9	<20%
Casambi (0-10V) ¹	3%-100% dim to off	120V AC - 277V AC	>0.9	<20%

¹ Consult factory for Casambi network design

ORDERING INFO

CANOPY TYPE	POWER	DIMMING	CCT	BEAM	LENS	MOUNTING	BAFFLE FINISH	FIXTURE FINISH
CYL40			DTW					
4" Cylinder	10W - 10W 14W - 14W 18W - 18W	010 - 0-10V CAS - Casambi	3000K - 1800K	M-NF - 20° M-WF - 40° M-VW - 50°	LN - No Lens LL - Linear LH - Hexcell LS - Softening	SM - Surface Mount CM048 - Cord 48" ¹ CM144 - Cord 144" ¹ ST048 - Stem 48" ¹ ST096 - Stem 96" ¹	VB - Vortex Black VW - Vortex White VH - Vortex Haze VC - Vortex Custom ² CB - Cross Black	BK - Black WH - White CT - Custom ³

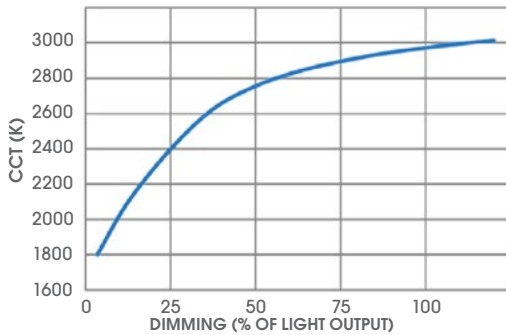
¹ Nominal Overall Length (OAL), field cuttable

² Specify RAL # for baffle, consult factory.

³ Specify RAL # for canopy, stem and fixture, Black or White Cord only, consult factory.

Fixture Type
Project
Notes

CCT DIMMING CURVE



OPTIONAL EMERGENCY BATTERY PACK

EM-LIN-08W

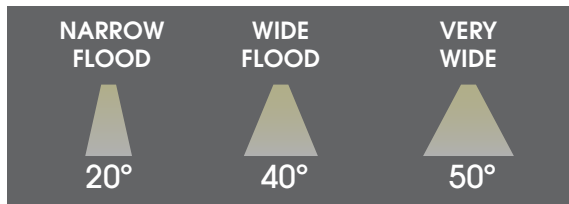
8W Remote Mounted Emergency Battery Back-Up



- Universal input 100-347V AC
- Battery protection for over-temperature, overcharge, over-discharge, and shortcircuit
- Works with AC/DC sensor
- Self-testing monthly/yearly
- Meet CEC Title 20 standards
- Includes: Charging Indicator/Test Switch
- Handheld Remote Tester

OPTICS

SELECT FROM 3 OPTIONS



Beam

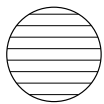
M-NF - Narrow Flood 20°

M-WL - Flood 40°

M-VW - Very Wide 50°

LENS

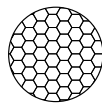
SELECT FROM **LN** - NO LENS OR 3 OPTIONS



Linear Lens

The linear spread elongates the beam for throwing light on a wall.

LL - Linear



Hexcell Lens

The hex louver can be used for further glare reduction.

LH - Hexcell



Softening Lens

The softening lens can be used for light diffusion.

LS - Softening

BAFFLES

SELECT FROM 4 OPTIONS & RAL CUSTOM FINISHES



VW - Vortex White



VB - Vortex Black



VB - Vortex Black



VC - Vortex Custom



CB - Cross Black



Vortex Baffle

Advanced optics, casts a uniform and comfortable light without harsh shadows.

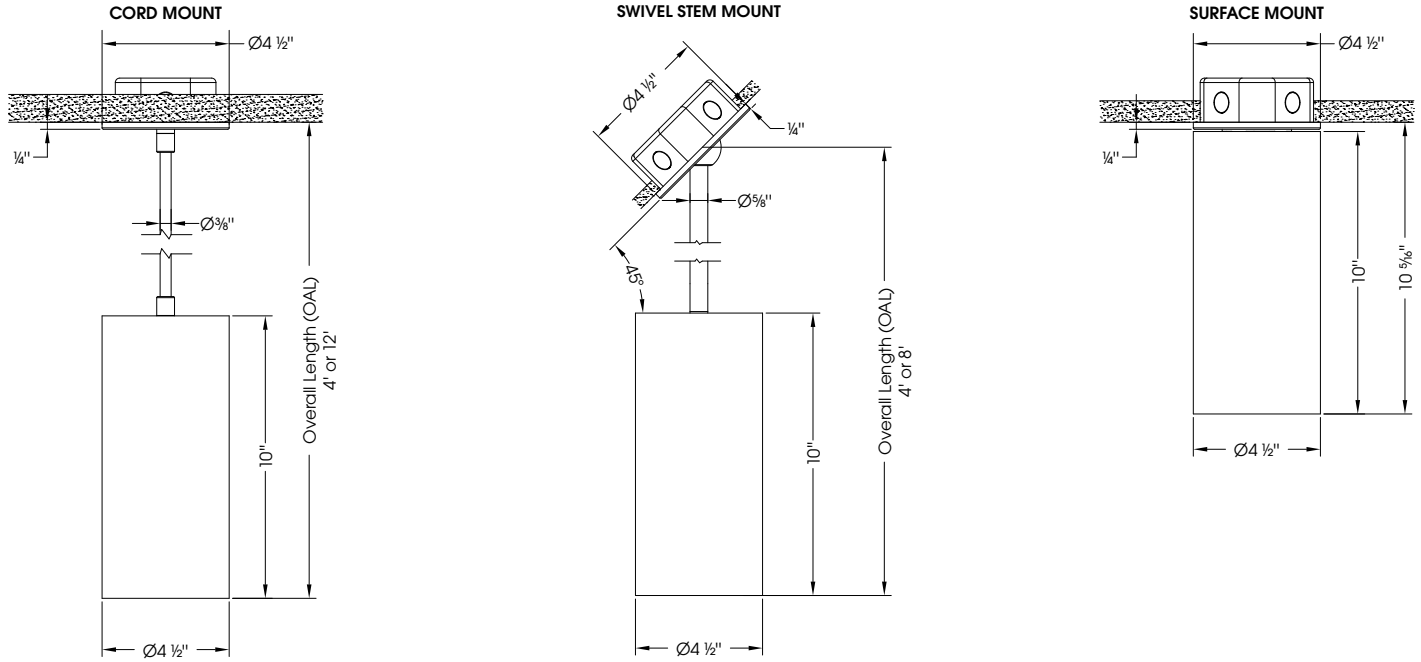


Vortex Baffle

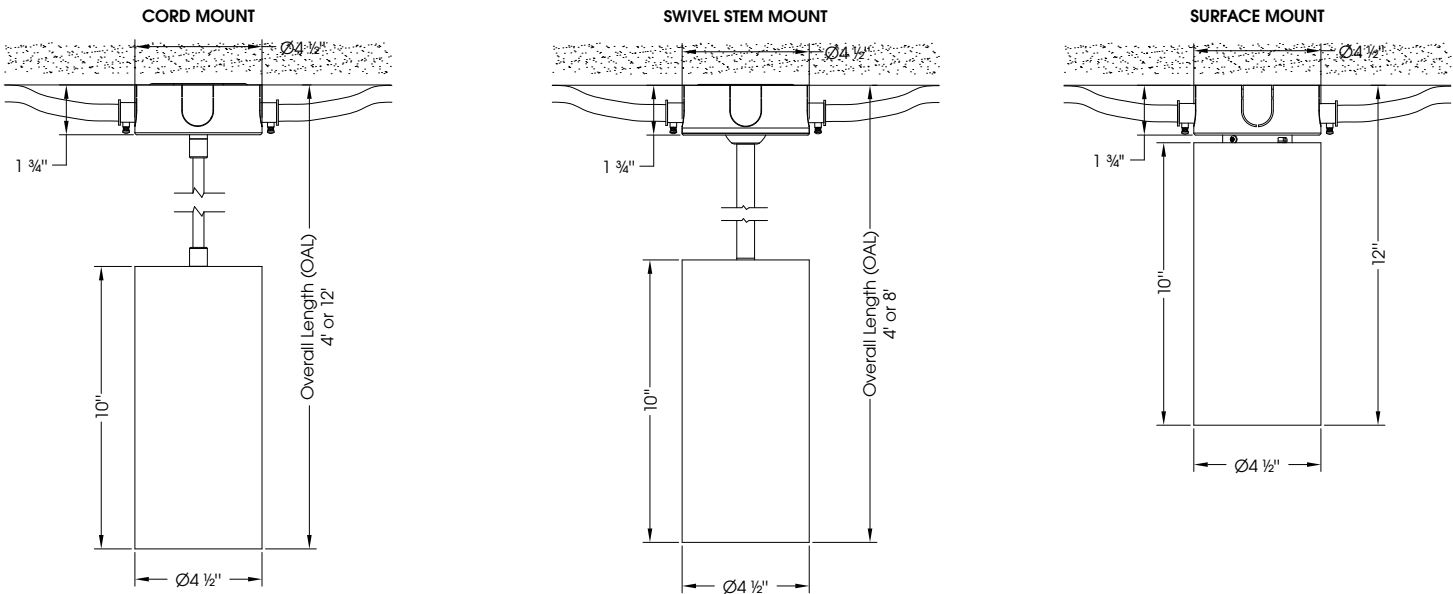
Provides focused lighting with no glare.

Fixture Type
Project
Notes

DIMENSIONS – RECESSED J-BOX



DIMENSIONS – SURFACE J-BOX



Fixture Type
Project
Notes

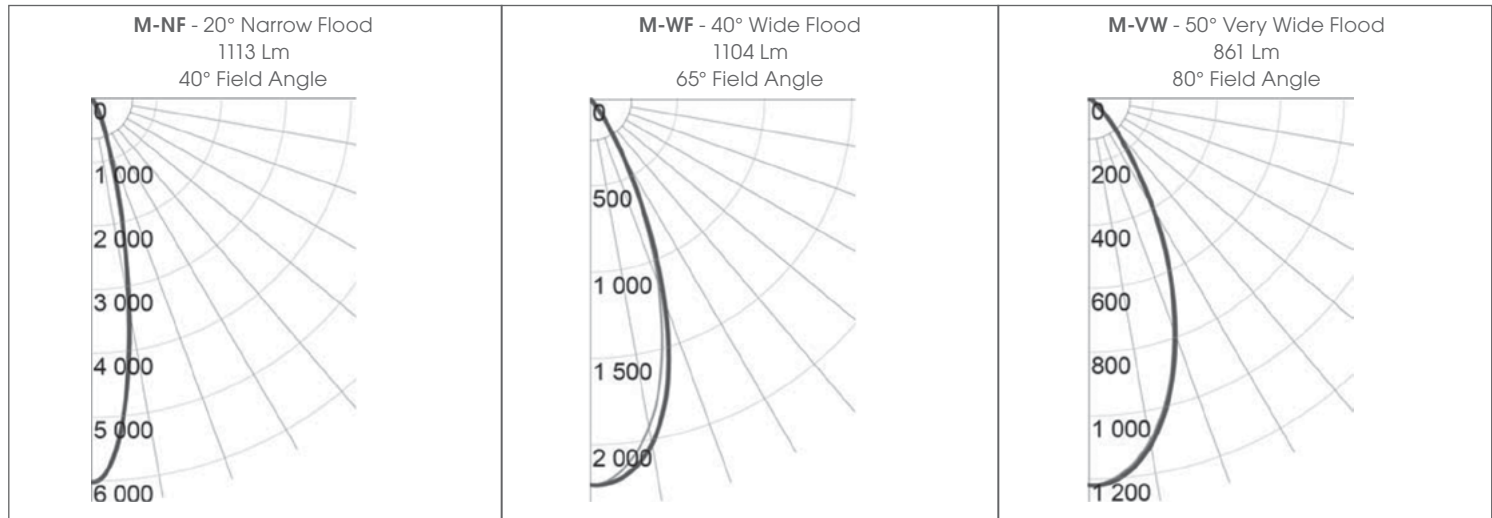
APPLICATION DATA

Vortex Baffle (18W 3000K)

Multiplying Factors

WATTAGE	10W	14W	18W
FACTOR	0.56	0.78	1.00

LENS	No Lens	Linear	Hexcell	Softening
FACTOR	1.00	0.78	0.67	0.77



Candelas at Nadir

DEGREES	CANDELA
0	6012
5	5219
15	1639
25	357
35	90
45	20

DEGREES	CANDELA
0	2233
5	2193
15	1708
25	743
35	147
45	28

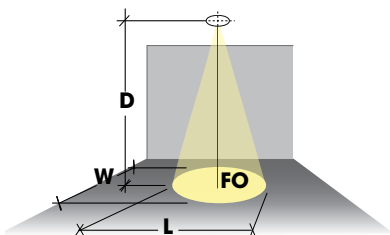
DEGREES	CANDELA
0	1219
5	1196
15	970
25	594
35	235
45	70

0° Aiming Angle Horizontal Footcandles

D	FC	L	W
5.0'	240	1.9	1.9
7.5'	107	2.9	2.9
10.0'	60	3.8	3.8
12.5'	38	4.8	4.8

D	FC	L	W
5.0'	89	3.7	3.7
7.5'	40	5.5	5.5
10.0'	22	7.3	7.3
12.5'	14	9.1	9.1

D	FC	L	W
5.0'	49	4.7	4.7
7.5'	22	7.0	7.0
10.0'	12	9.3	9.3
12.5'	8	11.7	11.7



Notes and Definitions

- Beam spread is to 50% center beam candlepower (CBCP).
- D = Distance to floor or wall.
- FC = Footcandles on floor or wall at center beam aiming location.
- L = Effective Visual Beam length in feet (50% of maximum footcandle level).
- W = Effective Visual Beam width in feet (50% of maximum footcandle level).
- CB = Distance across or down to center beam location.

Fixture Type
Project
Notes

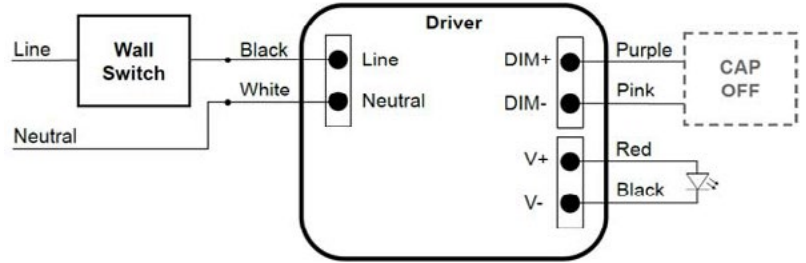
WIRING DIAGRAM

No Dimming

Input 120VAC-277VAC 50/60Hz

NOTE:

Cap off unused wires individually.
DO NOT cap together.

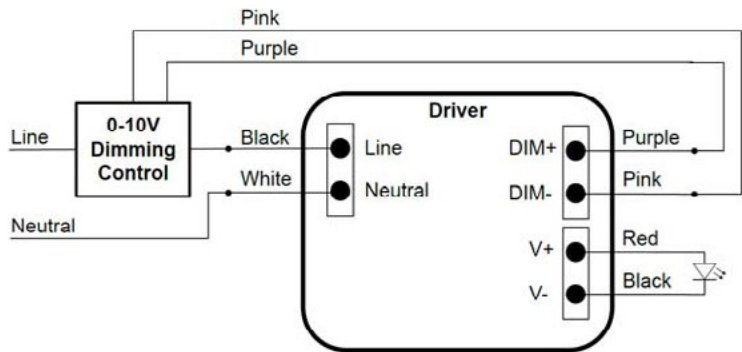


0-10V Dimming

Input 120VAC-277VAC 50/60Hz
Range 3%-100% dim to off

NOTE:

Cap off unused wires individually.
DO NOT cap together.

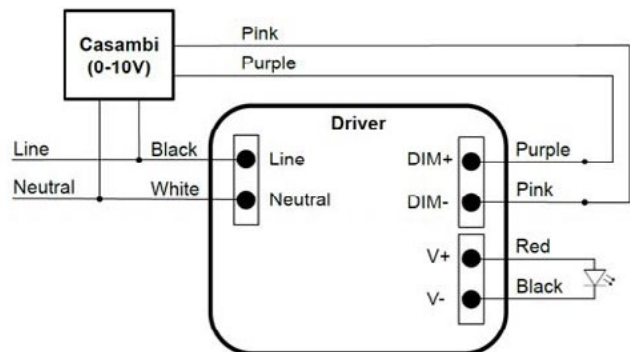


Casambi Dimming (CAS)

Input 120VAC-277VAC 50/60Hz
Range 0.1%-100% dim to off

NOTE:

Cap off unused wires individually.
DO NOT cap together.



JESCO recommends testing your unique dimming configuration as the exact full configuration (Dimmer, Fixture Quantity, Voltage, etc) may affect dimming performance. Diagrams are examples of typical installations. Refer to specific dimmer manufacturer's documentations for details.

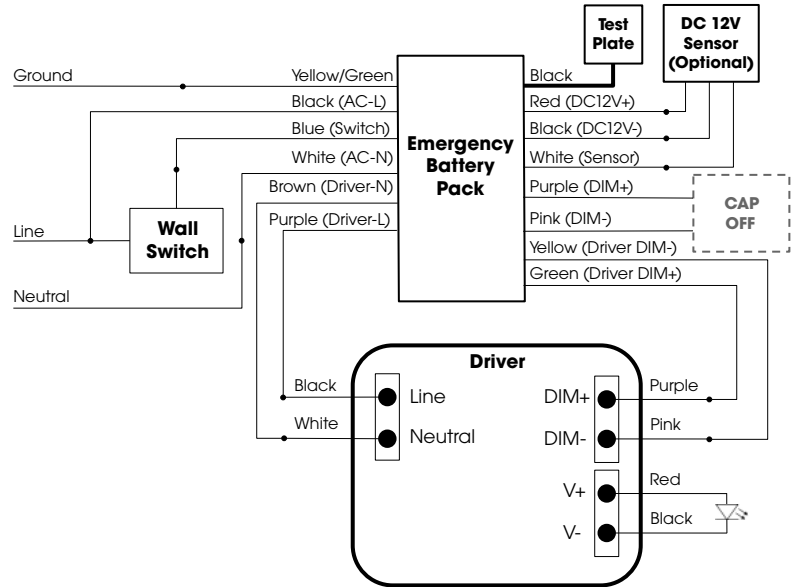
Fixture Type
Project
Notes

EMERGENCY BATTERY PACK WIRING DIAGRAM

Non-Dimming (010)

Input 120VAC-277VAC 50/60Hz

NOTE: Cap off unused wires individually.
DO NOT cap together.



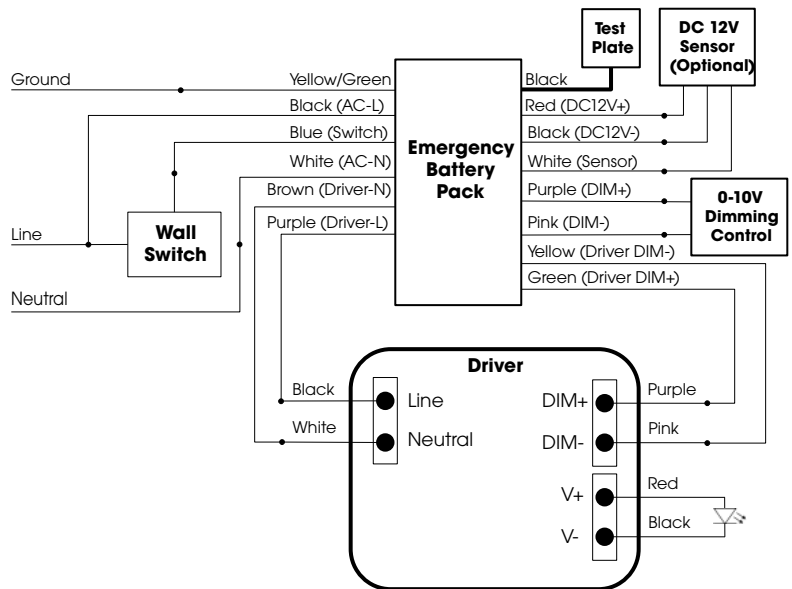
0-10V Dimming (010)

Input 120VAC-277VAC 50/60Hz

Range 0.1% - 100% dim to off

NOTE: Cap off unused wires individually.
DO NOT cap together.

Wall Switch and 0-10V dimmer may be one unit or two separate units



JESCO recommends testing your unique dimming configuration as the exact full configuration (Dimmer, Fixture Quantity, Voltage, etc) may affect dimming performance. Diagrams are examples of typical installations. Refer to specific dimmer manufacturer's documentations for details.