



DL-AC-FLEX2-FS

INFINA® FULL SPECTRUM FLEXIBLE LINEAR DRIVERLESS FLEXIBLE LINEAR STRIP

Type	
Project	
Catalog No.	



DL-AC-FLEX2-FS | 36 LEDs per foot | 12 in. increment | Max run length 164 ft.

DESCRIPTION

INFINA® 2 FS series is the next generation of specification grade, high color accuracy flexible lighting system that incorporates JESCO's exclusive, constant current, Driverless AC LED technology which operates directly off of line voltage - no additional power source required and no drivers to hide. With an increment of 12 inches to a max run length of 164 ft, the product can be dimmed with an ELV dimmer**. The product is mounted either in a channel or with snap-in mounting clips. INFINA® is designed for dry, damp and wet locations. The LEDs are imbedded within a flexible, optically clear thermoplastic jacket. For easy installation, JESCO offers a full complement of connectors, Runs can include as many sections and connections as required without any extra setup fees. Each run is made to order, sealed and tested prior to shipping in either our New York or Los Angeles warehouses.

FEATURES

- Full spectrum color output 95+ CRI with high R values
- Constant current integrated chip provide uniform intensity over the entire run
- Line voltage – No power supplies to hide
- Run length of 164 feet with 12 in increments
- 3 Step Mac Adam 1 bin LEDs for color consistency
- Multiple mounting options and accessories available

SPECIFICATIONS

Input Voltage	120V AC							
Wattage*	4W per ft.							
CRI	95+							
Color Consistency	3-Step MacAdam 1 Bin LED							
Max Run / Min Run	164 ft. / 12 in.							
LEDs / ft. LEDs / 3in.	36 LEDs / ft.							
CCT	1800K	2100K	2300K	2700K	3000K	3500K	4000K	
Lumen/ft*	185.9	204.3	205.2	233.5	249.4	244.9	268.9	
Efficacy	46.5	51.3	51.2	59.8	62.6	61.0	68.2	
TM30 Rf	92	94	95	95	94	92	93	
TM30 Rg	94	98	100	103	104	100	101	
TM30 R9	78	92	93	99	96	90	97	
Power Factor	0.94							
Beam Angle	120°							
Lumen Maintenance*	50,000 hours							
Dimming**	Electronic Low Voltage							
Dimensions*	9/16" (15mm) W x 1/4" (6.5mm) H							
Environment	Indoor/ Outdoor* – dry, damp and wet							
Ambient temperature	-4°F to 104°F							
Safety Listing	ETLus							
Warranty	5 Years*. See published warranty terms for detailed information.							

*Nominal

** Never exceed dimmer max wattage, effectively dim down to 10%

♣ Hardwire only

♦ TM21 calculation based on LM80 report

ORDERING INFORMATION

AC LED LUMINAIRE

MODEL	-	CCT-CRI
DL-AC-FLEX2-FS	-	
		3095 – 3000K 95+CRI 1895 – 1800K 95+CRI ¹
		3595 – 3500K 95+CRI 2195 – 2100K 95+CRI ¹
		2395 – 2300K 95+CRI ¹
		2795 – 2700K 95+CRI ¹
		4095 – 4000K 95+CRI ¹

¹ Non-stocking product, lead time apply, consult factory.

ENDCAP

MODEL	
DL-AC-FLEX2-FS-EC	
One required at the end of each run	

POWER FEED, CONNECTING CABLE, MOUNTING ACCESSORIES

DL-AC-FLEX2-FS	-	TERMINATIONS
		HW08 – Hardwire 8 feet cord
		HW20 – Hardwire 20 feet cord
		PC02 – Plug-in 2 foot cord ²
		PC06 – Plug-in 6 foot cord ²
		CONNECTIONS
DL-AC-FLEX2-FS-		CC03 – 3 inch connecting cable
		CC06 – 6 inch connecting cable
		CC12 – 12 inch connecting cable
		CC24 – 24 inch connecting cable
		CC06-O – 6 inch connecting output cable
		CC06-I – 6 inch connecting input cable
		DL-AC-FLEX2-CC-EXT18 – 18 inch extension cable

Custom length power feed and connecting cable available, lead time and MOQ apply, consult factory.

• A 5 YEAR LIMITED WARRANTY for applications that necessitate up to 16 consecutive operational hours per 24 hour period.

• A 2 YEAR LIMITED WARRANTY for applications that necessitate more than 16 consecutive operational hours per 24 hour period.

MOUNTING ACCESSORIES

DL-AC-FLEX2-FS-MC – Snap in mounting clip
DL-AC-FLEX2-FS-MC-HW – Hardwire mounting U clip
DL-AC-FLEX2-FS-CH6P – 6 Feet plastic mounting channel
DL-AC-FLEX2-FS-CH6M19 – 6 Feet metal channel 19mm height
DL-AC-FLEX2-FS-CH6M19-L01 – 6 Feet snap-on frosted lens 1mm height
DL-AC-FLEX2-FS-CH6M19-L11 – 6 Feet snap-on frosted lens 11mm height
DL-AC-FLEX2-FS-CH6M19-MCM – Metal mounting clip for (-CH6M19)
DL-AC-FLEX2-FS-MCMADJ – Adjustable mounting bracket for (-CH6M19)
DL-AC-FLEX2-ADJBR – Universal adjustable bracket for (-CH6M19)



© JESCO LIGHTING GROUP, LLC

www.jescolighting.com
 support@jescolighting.com
Tech Support: 855.592.0029

15 Harbor Park Drive
 Port Washington, NY 11050
Main Line: 800.527.7796
Fax Line: 855.265.5768

219 South 6th Ave
 City of Industry, CA 91746
Main Line: 855.654.0110
Fax Line: 626.333.2955

JW

11/20/2020

Specifications subject to change without notice.

Page 1 of 8



DL-AC-FLEX2-FS

INFINA® FULL SPECTRUM FLEXIBLE LINEAR DRIVERLESS FLEXIBLE LINEAR STRIP

Type	
Project	
Catalog No.	

TERMINATION OPTIONS (Factory sealed to DL-AC-FLEX2-FS flex linear)

HARDWIRED OPTIONS (Indoor & Outdoor*)



DL-AC-FLEX2-FS-HW08
8 feet cord with hardwired leads
Built-in 6 Amp fuse in connector

DL-AC-FLEX2-FS-HW20
20 feet cord with hardwired leads
Built-in 6 Amp fuse in connector

PLUG-IN OPTIONS (Indoor Use Only)



DL-AC-FLEX2-FS-PC02
2 feet cord with power plug
Built-in 8 Amp fuse in power plug, spare fuse included

DL-AC-FLEX2-FS-PC06
6 feet cord with power plug
Built-in 8 Amp fuse in power plug, spare fuse included

*All connections must be properly secured and sealed for outdoor use.

CONNECTING CABLES (Factory sealed to DL-AC-FLEX2 flex linear)

For easy installation, JESCO offers a full complement of connectors. Runs can include as many sections and connections as required without any extra setup fees. Each run is made to order, sealed and tested prior to shipping in either our New York or Los Angeles warehouses.

Every 5 Feet of connecting cable add 1 linear foot of FLEX2 strip to the overall run.

Example: 160 feet of FLEX2 strip +15 feet of connecting cables = 163 feet overall length <164 feet max

DIRECT CONNECTING CABLES



DL-AC-FLEX2-FS-FLEX-CON

1 inch flex cable

DL-AC-FLEX2-FS-CC03

3 inch connecting cable

DL-AC-FLEX2-FS-CC06

6 inch connecting cable

DL-AC-FLEX2-FS-CC12

12 inch connecting cable

DL-AC-FLEX2-FS-CC24

24 inch connecting cable

PLUG-IN CONNECTING CABLES



DL-AC-FLEX2-FS-CC06-O

6 inch connecting cable with output connection



DL-AC-FLEX2-FS-CC06-I

6 inch connecting cable with input connection



DL-AC-FLEX2-CC-EXT18 (optional)

18 inch extension cable for CC-06-O & CC06-I

ENDCAP Required 1 per each run



DL-AC-FLEX2-FS-EC

Clear plastic endcap

MOUNTING CLIP OPTIONS



DL-AC-FLEX2-FS-MC

Plastic snap in mounting clip
(3 per foot recommended)



DL-AC-FLEX2-FS-MC-HW

Hardwire mounting clip
(2 included per section for hardwire applications)



DL-AC-FLEX2-ADJBR

Universal adjustable channel mounting bracket for (-CH6M19) channel
30° increments of adjustability
2 per channel required

MOUNTING CHANNELS & ACCESSORIES



DL-AC-FLEX2-FS-CH6P

6 foot (72in) pvc mounting channel



DL-AC-FLEX2-FS-CH6M19

6 foot (72in) metal mounting channel
19mm height



DL-AC-FLEX2-FS-CH6M19-L01

6 foot (72in) snap-in frosted lens for (-CH6M19) 1mm height



DL-AC-FLEX2-FS-CH6M19-L11

6 foot (72in) frosted snap-in lens for (-CH6M19) 11mm height



DL-AC-FLEX2-FS-CH6M19-MCM

Metal mounting clip for (-CH6M19)
4 per channel required



DL-AC-FLEX2-FS-MCMAJ

Adjustable bracket with metal channel mounting clip

OUTDOOR USAGE: The aluminum channel and its anodized finish combined are impervious to most outdoor weather conditions. The plastic lens cover has a UV inhibitor molded in. While it can prevent yellowing for a period of time, long time exposure in the outdoor environment will eventually degrade the UV inhibitors, causing the lens to turn yellow and become brittle. The plastic lens cover will expand and contract due to coefficient of changes in the weather. In most extreme weather, it may crack or lose its rigidity to grab hold onto the aluminum channel. The combined usage of the aluminum channel and plastic lens can lead to undesired results, such as built up of dirt, insects, and mold. Moisture can also be trapped within the channel causing water to puddle up inside which void product's warranty.



© JESCO LIGHTING GROUP, LLC

www.jescolighting.com
support@jescolighting.com
Tech Support: 855.592.0029

15 Harbor Park Drive
Port Washington, NY 11050
Main Line: 800.527.7796
Fax Line: 855.265.5768

219 South 6th Ave
City of Industry, CA 91746
Main Line: 855.654.0110
Fax Line: 626.333.2955

JW
11/20/2020

Specifications subject to change without notice.

Page 2 of 8



DL-AC-FLEX2-FS

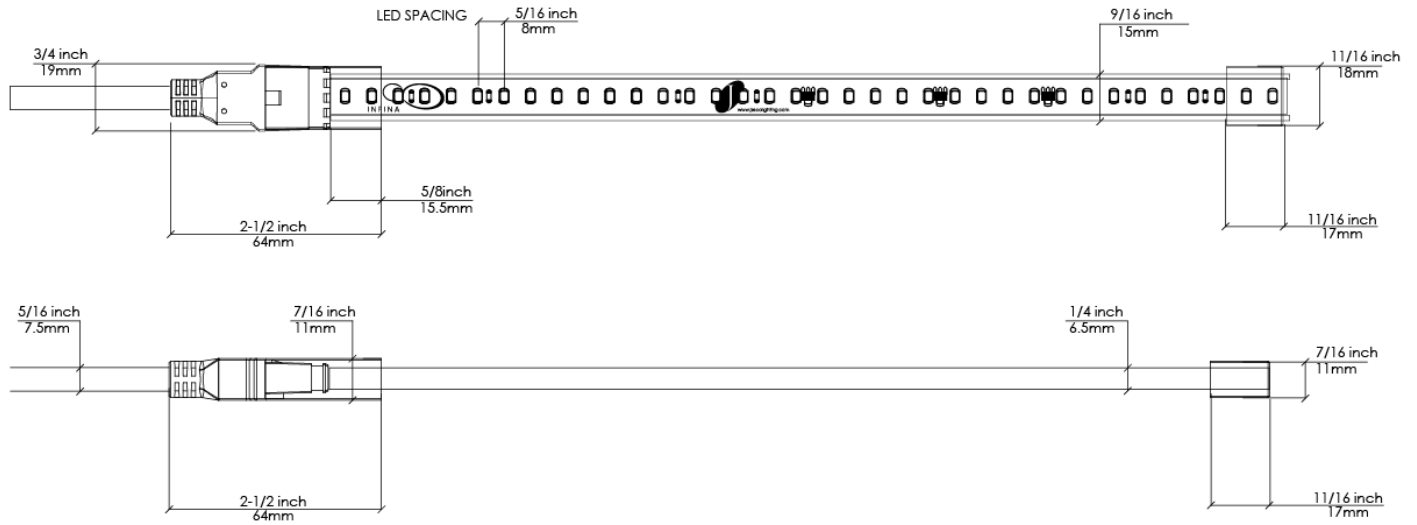
INFINA® FULL SPECTRUM FLEXIBLE LINEAR
DRIVERLESS FLEXIBLE LINEAR STRIP

Type	
Project	
Catalog No.	

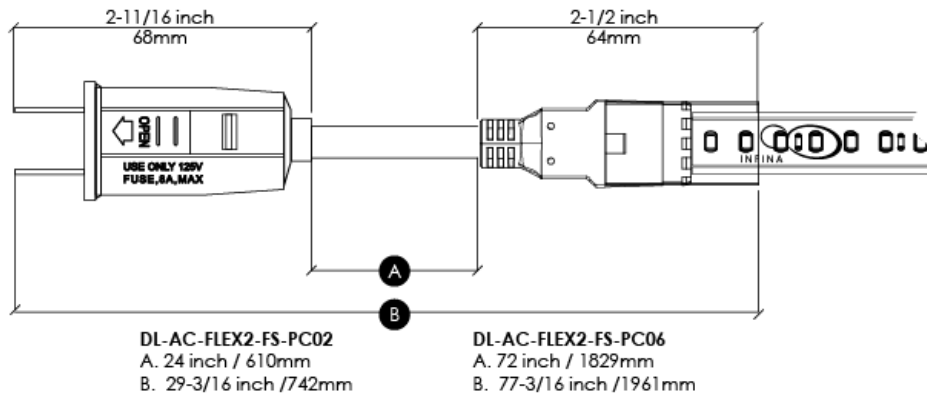
4 per channel required

TECHNICAL DRAWING

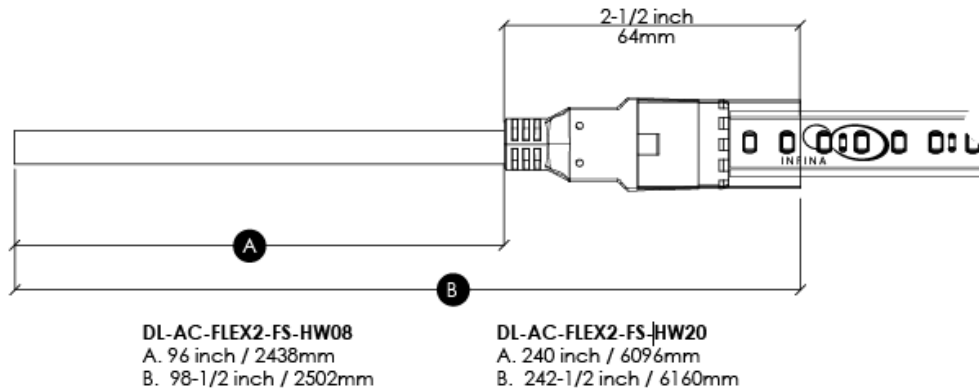
LED STRIP WITH POWER CONNECTOR AND ENDCAP



INDOOR CORD AND PLUG



INDOOR / OUTDOOR HARDWIRE CORD



© JESCO LIGHTING GROUP, LLC

www.jescolighting.com
support@jescolighting.com
Tech Support: 855.592.0029

15 Harbor Park Drive
Port Washington, NY 11050
Main Line: 800.527.7796
Fax Line: 855.265.5768

219 South 6th Ave
City of Industry, CA 91746
Main Line: 855.654.0110
Fax Line: 626.333.2955

JW
11/20/2020

Specifications subject to change without notice.

Page 3 of 8



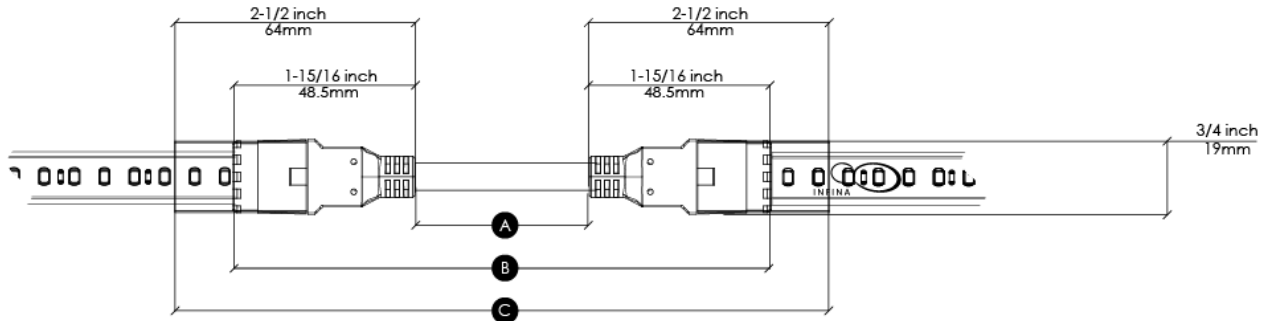
DL-AC-FLEX2-FS

INFINA® FULL SPECTRUM FLEXIBLE LINEAR
DRIVERLESS FLEXIBLE LINEAR STRIP

Type	
Project	
Catalog No.	

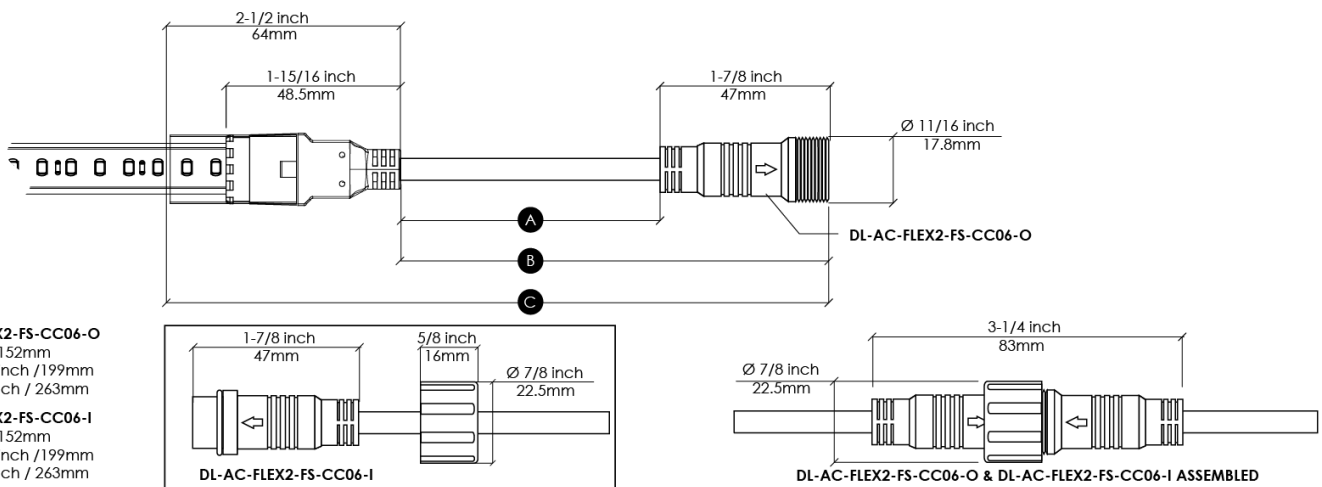
CONNECTING CABLE

Power and connecting cable rating: SJTW 300V 105°C/221°F 2x18AWG Ø 5/16inch/7.2mm
Cable length tolerance: +3/8" (10mm)/-0



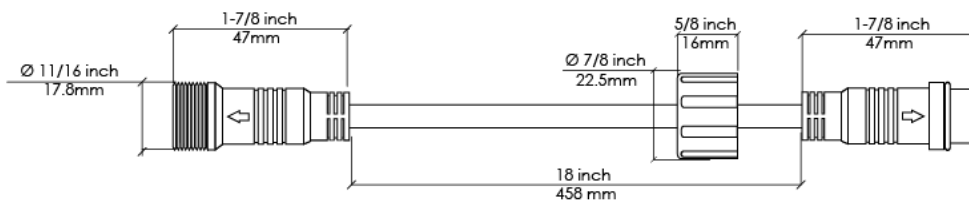
DL-AC-FLEX2-FS-FLEX-CON A. 1 inch / 25mm B. 4-13/16 inch / 122mm C. 6 inch / 153mm	DL-AC-FLEX2-FS-CC03 A. 3 inch / 76mm B. 6-13/16 inch / 173mm C. 8-1/16 inch / 204mm	DL-AC-FLEX2-FS-CC06 A. 6 inch / 152mm B. 9-13/16 inch / 249mm C. 11 inch / 280mm	DL-AC-FLEX2-FS-CC12 A. 12 inch / 305mm B. 15-13/16 inch / 402mm C. 17-1/16 inch / 433mm	DL-AC-FLEX2-FS-CC24 A. 12 inch / 610mm B. 27-13/16 inch / 707mm C. 29-1/16 inch / 738mm
--	---	--	---	---

CONNECTING CABLE WITH OUTDOOR RATED BARREL INPUT / OUTPUT CONNECTOR



- DL-AC-FLEX2-FS-CC06-O**
A. 6 inch / 152mm
B. 7-13/16 inch / 199mm
C. 10-3/8 inch / 263mm
- DL-AC-FLEX2-FS-CC06-I**
A. 6 inch / 152mm
B. 7-13/16 inch / 199mm
C. 10-3/8 inch / 263mm

EXTENSION CABLE WITH OUTDOOR RATED BARREL INPUT /OUTPUT CONNECTOR



DL-AC-FLEX2-EXT18



© JESCO LIGHTING GROUP, LLC

www.jescolighting.com
support@jescolighting.com
Tech Support: 855.592.0029

15 Harbor Park Drive
Port Washington, NY 11050
Main Line: 800.527.7796
Fax Line: 855.265.5768

219 South 6th Ave
City of Industry, CA 91746
Main Line: 855.654.0110
Fax Line: 626.333.2955

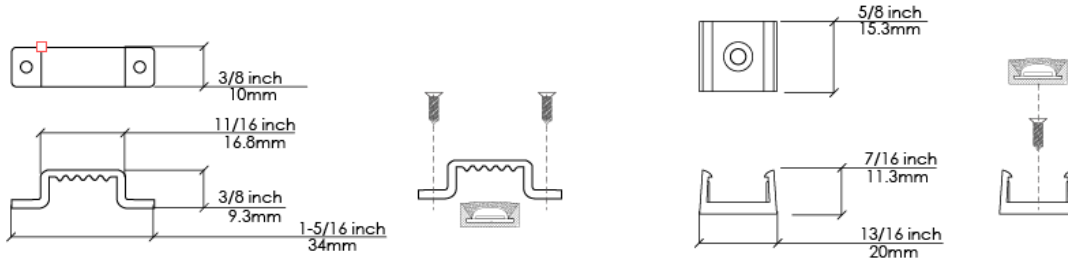


DL-AC-FLEX2-FS

INFINA® FULL SPECTRUM FLEXIBLE LINEAR
DRIVERLESS FLEXIBLE LINEAR STRIP

Type	
Project	
Catalog No.	

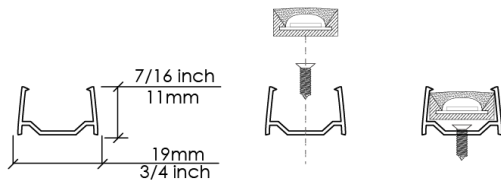
MOUNTING CLIPS



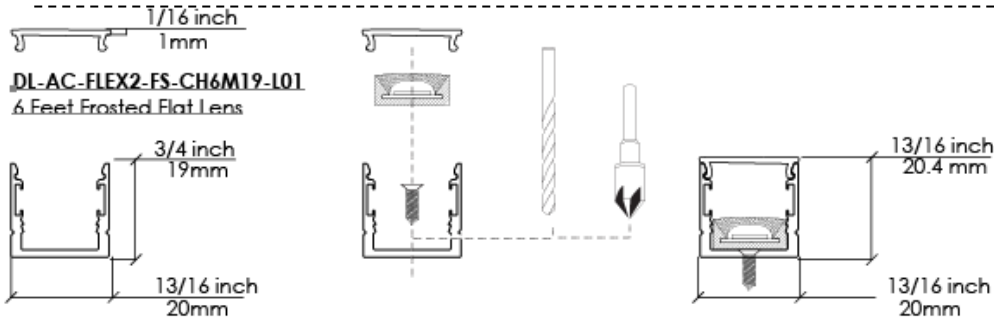
DL-AC-FLEX2-JA8-MC-HW
Hardwire Clips Required 2 Per Section

DL-AC-FLEX2-FS-MC
Plastic Mounting Clip

MOUNTING CHANNELS

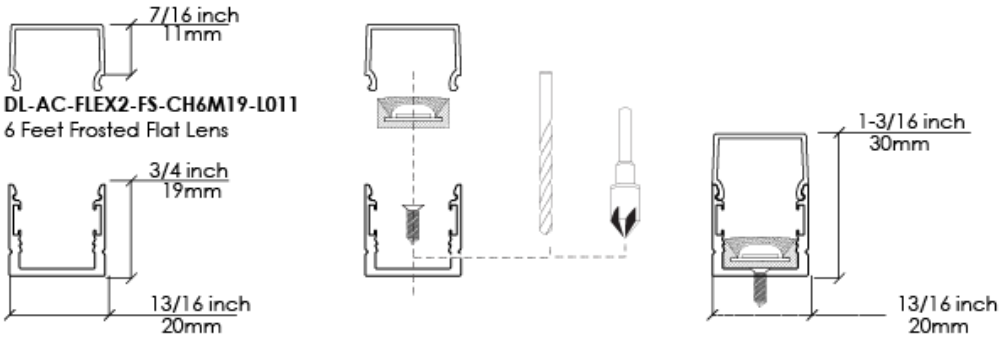


DL-AC-FLEX2-FS-CH6P
6 Feet Plastic Channel



DL-AC-FLEX2-FS-CH6M19-L01
6 Feet Frosted Flat Lens

DL-AC-FLEX2-FS-CH6M19
6 Feet Metal Channel



DL-AC-FLEX2-FS-CH6M19-L011
6 Feet Frosted Flat Lens

DL-AC-FLEX2-FS-CH6M19
6 Feet Metal Channel



© JESCO LIGHTING GROUP, LLC

www.jescolighting.com
support@jescolighting.com
Tech Support: 855.592.0029

15 Harbor Park Drive
Port Washington, NY 11050
Main Line: 800.527.7796
Fax Line: 855.265.5768

219 South 6th Ave
City of Industry, CA 91746
Main Line: 855.654.0110
Fax Line: 626.333.2955

JW
11/20/2020

Specifications subject to change without notice.

Page 5 of 8

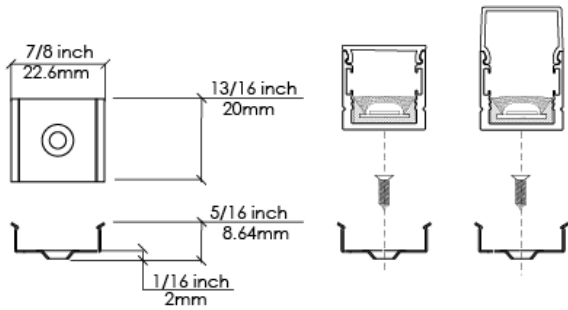


DL-AC-FLEX2-FS

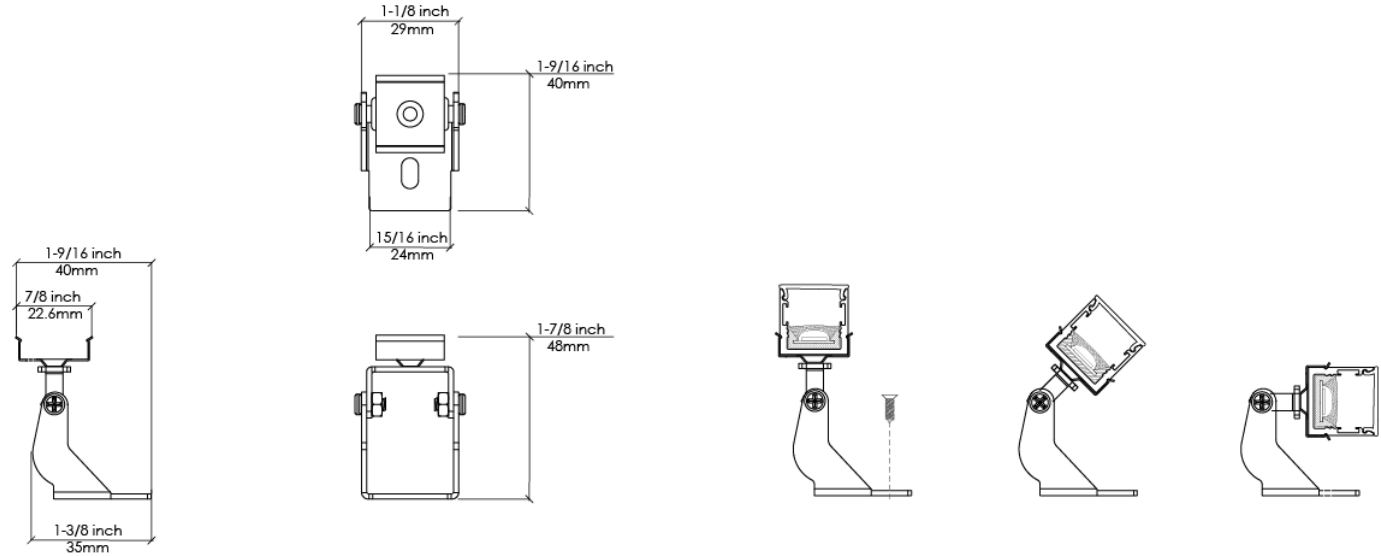
INFINA® FULL SPECTRUM FLEXIBLE LINEAR
DRIVERLESS FLEXIBLE LINEAR STRIP

Type	
Project	
Catalog No.	

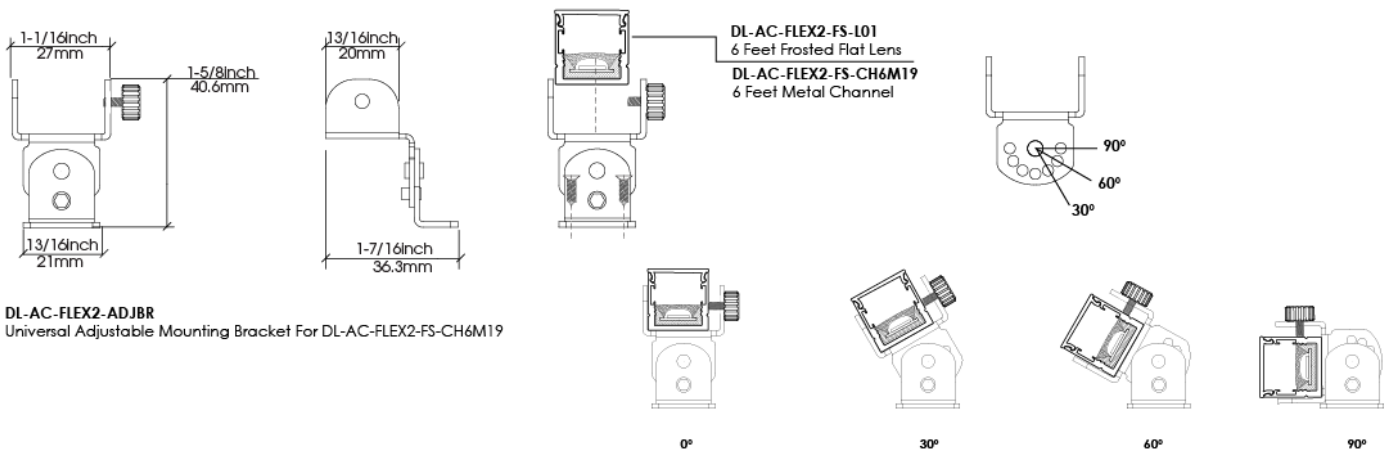
CHANNEL MOUNTING ACCESSORIES



DL-AC-FLEX2-FS-CH6M19-MCM
Metal channel mounting clip



DL-AC-FLEX2-FS-MCMADJ
Adjustable Bracket With Metal Channel Mounting Clip



DL-AC-FLEX2-ADJBR
Universal Adjustable Mounting Bracket For DL-AC-FLEX2-FS-CH6M19

DL-AC-FLEX2-FS-L01
6 Feet Frosted Flat Lens
DL-AC-FLEX2-FS-CH6M19
6 Feet Metal Channel



© JESCO LIGHTING GROUP, LLC

www.jescolighting.com
support@jescolighting.com
Tech Support: 855.592.0029

15 Harbor Park Drive
Port Washington, NY 11050
Main Line: 800.527.7796
Fax Line: 855.265.5768

219 South 6th Ave
City of Industry, CA 91746
Main Line: 855.654.0110
Fax Line: 626.333.2955

JW
11/20/2020

Specifications subject to change without notice.

Page 6 of 8



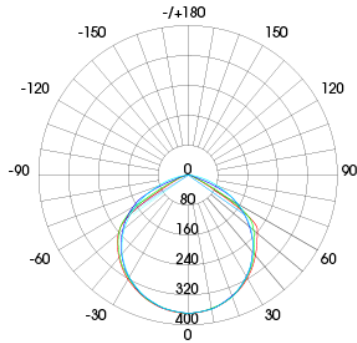
DL-AC-FLEX2-FS

INFINA® FULL SPECTRUM FLEXIBLE LINEAR
DRIVERLESS FLEXIBLE LINEAR STRIP

Type	
Project	
Catalog No.	

PHOTOMETRIC DATA

3000K PHOTOMETRIC AND TM-30-15

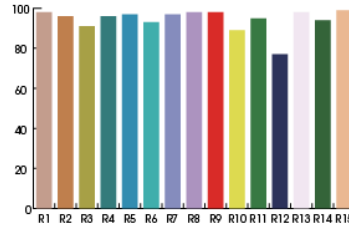


AVERAGE BEAM ANGLE(50%):103.9 DEG

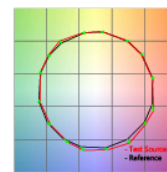
- C0/180, 112.1deg
- C30/210, 113.9deg
- C60/240, 112.8deg
- C90/270, 111.3deg

CRI (Re) (R1-R15)

R1	98	R6	93	R11	95
R2	96	R7	97	R12	77
R3	91	R8	98	R13	98
R4	96	R9	98	R14	94
R5	97	R10	89	R15	99



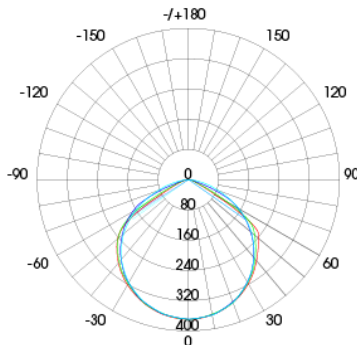
TM-30-15



IES FILES

- [DL-AC-FLEX2-FS-1895](#)
- [DL-AC-FLEX2-FS-2195](#)
- [DL-AC-FLEX2-FS-2395](#)
- [DL-AC-FLEX2-FS-2795](#)
- [DL-AC-FLEX2-FS-3095](#)
- [DL-AC-FLEX2-FS-3595](#)
- [DL-AC-FLEX2-FS-4095](#)

3500K PHOTOMETRIC AND TM-30-15

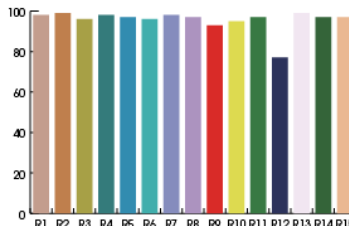


AVERAGE BEAM ANGLE(50%):103.9 DEG

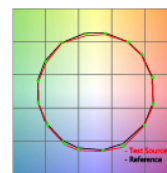
- C0/180, 112.1deg
- C30/210, 113.9deg
- C60/240, 112.8deg
- C90/270, 111.3deg

CRI (Re) (R1-R15)

R1	98	R6	96	R11	97
R2	99	R7	98	R12	77
R3	96	R8	97	R13	99
R4	98	R9	93	R14	97
R5	97	R10	95	R15	97



TM-30-15



COMPATIBLE DIMMERS*

Manufacturer: Lutron

SKYLAR SERIES

SELV-300P	300W	70 Ft Max
SELV-600P	600W	140 Ft Max

DIVA SERIES

DVELV-300P	300W	70 Ft Max
DVELV-600P	600W	140 Ft Max

NOVA T SERIES

NTELV-300P	300W	70 Ft Max
NTELV-600P	600W	140 Ft Max

NOTE: All available dimmers have not been tested with INFINA® and there may be several factors during installation that can affect performance. Prior testing of your exact application of INFINA® and your designated dimmer is highly recommended. For dimmers that are not listed, please contact factory.



© JESCO LIGHTING GROUP, LLC

www.jescolighting.com
support@jescolighting.com
Tech Support: 855.592.0029

15 Harbor Park Drive
Port Washington, NY 11050
Main Line: 800.527.7796
Fax Line: 855.265.5768

219 South 6th Ave
City of Industry, CA 91746
Main Line: 855.654.0110
Fax Line: 626.333.2955

JW
11/20/2020

Specifications subject to change without notice.

Page 7 of 8











DL-AC-FLEX2-FS

INFINA® FULL SPECTRUM FLEXIBLE LINEAR DRIVERLESS FLEXIBLE LINEAR STRIP

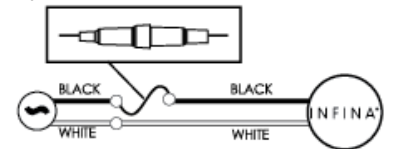
Type	
Project	
Catalog No.	

CAUTION

 DO NOT BEND ON HORIZONTAL PLANE	 DO NOT BEND 90°	 DO NOT TWIST	 DO NOT HANG	 DO NOT SUSPEND
 DO NOT INSTALL INSIDE BUILDING STRUCTURES	 DO NOT FOLD OR OVERLAP	 DO NOT CUT LED STRIP OR CONNECTING CABLE	 DO NOT PUNCTURE LED STRIP	 DO NOT STEP ON OR PUT OBJECTS ON TOP
 DO NOT COVER	 DO NOT PAINT OVER ANY PARTS	 DO NOT USE THIRD PARTY FASTENERS	 DO NOT USE ADHESIVE FOR INSTALLATION	 DO NOT POWER ON WHEN STRIP LIGHT IS IN A SPOOL

HARDWARE WIRING

FUSE HOLDER WITH 6.3A FUSE (included)
install between the positive leads of the fixture and the power



INCORRECT BRANCH CIRCUIT CONNECTION WILL VOID THE WARRANTY OF THE PRODUCT

FUSE HOLDER MUST BE INSTALLED IN THE JUNCTION BOX

HARDWARE MOUNTING



FOR HARDWARE APPLICATIONS, A PROVIDED HW CLIP MUST BE INSTALLED AT THE BEGINNING AND END OF EACH SECTION

OUTDOOR

- MAKE SURE ALL CONNECTIONS ARE SEALED AND WATER TIGHT**
- CONNECTS TO GFCI CIRCUITS ONLY
 - DO NOT SUBMERGE IN LIQUID OR IN AREAS WHERE WATER WILL PUDDLE
 - DO NOT INSTALL NEAR AREAS WITH EXPOSURE TO SALT WATER OR CHLORINATED WATER

 -4°F	 104°F	 IP65	 ≥ 3 INCH RADIUS
--	---	---	--

NOTE: Avoid installing at locations with prolonged exposure to direct sunlight to prevent extended heat buildup and to prevent irreversible damages to the LED.

WARRANTY IS VOID IF ANY OF THE ABOVE ARE VIOLATED

A 5 YEAR LIMITED WARRANTY for applications that necessitate up to 16 consecutive operational hours per 24 hour period.
A 2 YEAR LIMITED WARRANTY for applications that necessitate more than 16 consecutive operational hours per 24 hour period.