



# DL-AC-FLEX2-LT

INFINA® FLEXIBLE LINEAR DRIVERLESS FLEXIBLE LINEAR STRIP

Type	
Project	
Catalog No.	



DL-AC-FLEX2-LT | 18 LEDs per foot | 4 in. increment | Max run length 164 ft.

### DESCRIPTION

Designed for Canadian market, INFINA® 2 LT series is the next generation of specification grade, high color accuracy flexible lighting system that incorporates JESCO's exclusive, constant current, Driverless AC LED technology which operates directly off of line voltage - no additional power source required and no drivers to hide. With precise increment of 4 inches and a max run length of 164 ft. The product can be dimmed down to 10% with an ELV dimmer\*\*. The product is mounted either in a channel or with snap-in mounting clips. INFINA® is designed for dry, damp and wet locations. The LEDs are imbedded within a flexible, optically clear thermoplastic jacket. For easy installation, JESCO offers a full complement of connectors. Runs can include as many sections and connections as required without any extra setup fees. Each run is made to order, sealed and tested prior to shipping from either our New York or Los Angeles warehouses.

### FEATURES

- Constant current integrated chip provide uniform intensity over the entire run
- Line voltage – No power supplies to hide
- Run length of 164 feet with 4 inch increments
- 3-Step Mac Adam LEDs for color consistency
- Multiple mounting options and accessories available
- ETL listed for Canada and U.S.

### SPECIFICATIONS

<b>Input Voltage</b>	120V AC						
<b>Wattage*</b>	4W per ft.						
<b>CRI</b>	90+						
<b>Color Consistency</b>	3-Step MacAdam 1 Bin LED						
<b>Max Run / Min Run</b>	164 ft. / 4 in.						
<b>LEDs / ft.   LEDs / 4in.</b>	18 LEDs / ft.   6 LED / 4in.						
<b>CCT</b>	2400K	2700K	3000K	3500K	4000K	5000K	
<b>Lumen/ft*</b>	260	270	270	300	320	320	
<b>Efficacy</b>	65	67	67	75	80	80	
<b>Power Factor</b>	0.93						
<b>Beam Angle</b>	120°						
<b>Lumen Maintenance*</b>	50,000 hours						
<b>Dimming**</b>	Electronic Low Voltage						
<b>Dimensions*</b>	5/8" (16mm) W x 5/16" (7.5mm) H						
<b>Environment</b>	Indoor/ Outdoor* – dry, damp and wet						
<b>Ambient temperature</b>	-4°F to 104°F (-20°C to 40°C)						
<b>Safety Listing</b>	cETLus						
<b>Warranty</b>	5 Years*. See published warranty terms for detailed information.						

\*Nominal

\*\* Never exceed dimmer max wattage, effectively dim down to 10%

♣ Hardwire only

♦ TM21 calculation based on LM80 report

### ORDERING INFORMATION

#### AC LED LUMINAIRE

MODEL	-	CCT-CRI
<b>DL-AC-FLEX2-LT</b>	-	
		2490 – 2400K 90+CRI
		2790 – 2700K 90+ CRI
		3090 – 3000K 90+ CRI
		3590 – 3500K 90+ CRI
		4090 – 4000K 90+ CRI
		5090 – 5000K 90+ CRI

Consult factory on product availability and lead time.

#### ENDCAP

MODEL	
<b>DL-AC-FLEX2-LT-EC</b>	
One required at the end of each run	

### POWER FEED, CONNECTING CABLE, MOUNTING ACCESSORIES

MODEL	TERMINATIONS
<b>DL-AC-FLEX2-LT</b>	
	HW08 – Hardwire 8 foot cord
	HW20 – Hardwire 20 foot cord
	PC02 – Plug-in 02 foot cord <sup>2</sup>
	PC06 – Plug-in 06 foot cord <sup>2</sup>
<sup>2</sup> Plug and play cable comes with replaceable fuse.	
NOTE: HARDWARE suitable indoor/outdoor   PLUG & PLAY suitable for indoor only.	
MODEL	CONNECTIONS
<b>DL-AC-FLEX2-LT-</b>	
	CC03 – 3 inch connecting cable
	CC06 – 6 inch connecting cable
	CC12 – 12 inch connecting cable
	CC24 – 24 inch connecting cable
	CC06-O – 6 inch connecting output cable
	CC06-I – 6 inch connecting input cable
	DL-AC-FLEX2-CC-EXT18 – 18 inch connecting cable

Custom length power feed and connecting cable available, lead time and MOQ apply, consult factory.

♣ A 5 YEAR LIMITED WARRANTY for applications that necessitate up to 16 consecutive operational hours per 24 hour period.

A 2 YEAR LIMITED WARRANTY for applications that necessitate more than 16 consecutive operational hours per 24 hour period.

#### MOUNTING ACCESSORIES

<b>DL-AC-FLEX2-LT-MC</b>	– Snap in mounting clip
<b>DL-AC-FLEX2-LT-MC-HW</b>	– Hardwire mounting U clip
<b>DL-AC-FLEX2-LT-CH6M09</b>	– 6 Foot metal channel 9mm height
<b>DL-AC-FLEX2-ADJBR</b>	– Universal adjustable bracket for (-CH6M09)



© JESCO LIGHTING GROUP, LLC

www.jescolighting.com  
 support@jescolighting.com  
 Tech Support: 855.592.0029

15 Harbor Park Drive  
 Port Washington, NY 11050  
 Main Line: 800.527.7796  
 Fax Line: 855.265.5768

219 South 6<sup>th</sup> Ave  
 City of Industry, CA 91746  
 Main Line: 855.654.0110  
 Fax Line: 626.333.2955

JW  
 11/20/2020

Specifications subject to change without notice.



# DL-AC-FLEX2-LT

INFINA® FLEXIBLE LINEAR  
DRIVERLESS FLEXIBLE LINEAR STRIP

Type	
Project	
Catalog No.	

### TERMINATION OPTIONS (Factory sealed to DL-AC-FLEX2-LT flex linear)

#### HARDWIRE OPTIONS (Indoor & Outdoor\*)



**DL-AC-FLEX2-LT-HW08**  
8 feet cord with hardwired leads  
Built-in 6 Amp fuse in connector

**DL-AC-FLEX2-LT-HW20**  
20 feet cord with hardwired leads  
Built-in 6 Amp fuse in connector

#### PLUG-IN OPTIONS (Indoor Use Only)



**DL-AC-FLEX2-LT-PC02**  
2 feet cord with power plug  
Built-in 8 Amp fuse in power plug, spare fuse included

**DL-AC-FLEX2-LT-PC06**  
6 feet cord with power plug  
Built-in 8 Amp fuse in power plug, spare fuse included

\*All connections must be properly secured and sealed for outdoor use.

### CONNECTING CABLES (Factory sealed to DL-AC-FLEX2 flex linear)

For easy installation, JESCO offers a full complement of connectors. Runs can include as many sections and connections as required without any extra setup fees. Each run is made to order, sealed and tested prior to shipping in either our New York or Los Angeles warehouses.

**Every 5 Feet of connecting cable add 1 linear foot of FLEX2 strip to the overall run.**

Example: 160 feet of FLEX2 strip + 15 feet of connecting cables = 163 feet overall length < 164 feet max

#### DIRECT CONNECTING CABLES



**DL-AC-FLEX2-LT-CC03**  
3 inch connecting cable  
**DL-AC-FLEX2-LT-CC06**  
6 inch connecting cable  
**DL-AC-FLEX2-LT-CC12**  
12 inch connecting cable  
**DL-AC-FLEX2-LT-CC24**  
24 inch connecting cable

#### PLUG-IN CONNECTING CABLES



**DL-AC-FLEX2-LT-CC06-O**  
6 inch connecting cable with output connection



**DL-AC-FLEX2-LT-CC06-I**  
6 inch connecting cable with input connection



**DL-AC-FLEX2-CC-EXT18 (optional)**  
18 inch extension cable for CC-06-O & CC06-I



**DL-AC-FLEX2-LT-EC**  
Plastic endcap

### ENDCAP Required 1 per each run

### MOUNTING CLIP OPTIONS



**DL-AC-FLEX2-LT-MC**  
Plastic snap in mounting clip  
(3 per foot recommended)



**DL-AC-FLEX2-LT-MC-HW**  
Hardwire mounting clip  
(2 included per section for hardwire applications)

### MOUNTING CHANNELS & ACCESSORIES



**DL-AC-FLEX2-LT-CH6M09**  
6 foot (72in) metal mounting channel



**DL-AC-FLEX2-ADJBR**  
Universal adjustable channel mounting bracket for (-CH6M19) channel  
30° increments of adjustability  
2 per channel required

**OUTDOOR USAGE:** The aluminum channel and its anodized finish combined are impervious to most outdoor weather conditions. The plastic lens cover has a UV inhibitor molded in. While it can prevent yellowing for a period of time, long time exposure in the outdoor environment will eventually degrade the UV inhibitors, causing the lens to turn yellow and become brittle. The plastic lens cover will expand and contract due to coefficient of changes in the weather. In most extreme weather, it may crack or lose its rigidity to grab hold onto the aluminum channel. The combined usage of the aluminum channel and plastic lens can lead to undesired results, such as built up of dirt, insects, and mold. Moisture can also be trapped within the channel causing water to puddle up inside which void product's warranty.



© JESCO LIGHTING GROUP, LLC

www.jescolighting.com  
support@jescolighting.com  
**Tech Support:** 855.592.0029

15 Harbor Park Drive  
Port Washington, NY 11050  
**Main Line:** 800.527.7796  
**Fax Line:** 855.265.5768

219 South 6<sup>th</sup> Ave  
City of Industry, CA 91746  
**Main Line:** 855.654.0110  
**Fax Line:** 626.333.2955

JW  
11/20/2020

Specifications subject to change without notice.



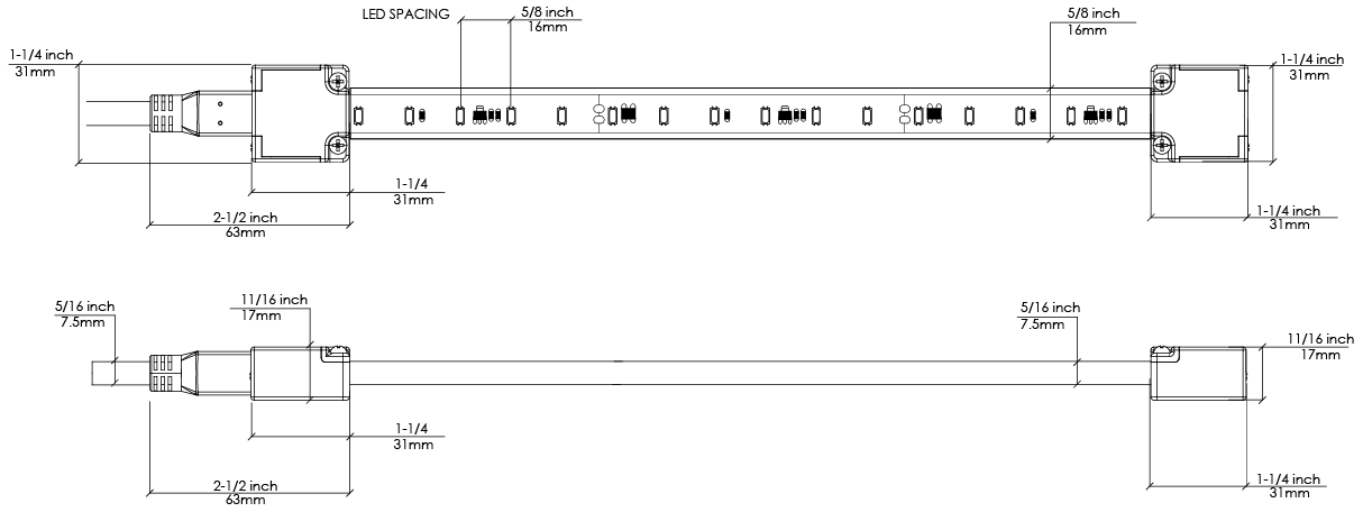
# DL-AC-FLEX2-LT

INFINA® FLEXIBLE LINEAR  
DRIVERLESS FLEXIBLE LINEAR STRIP

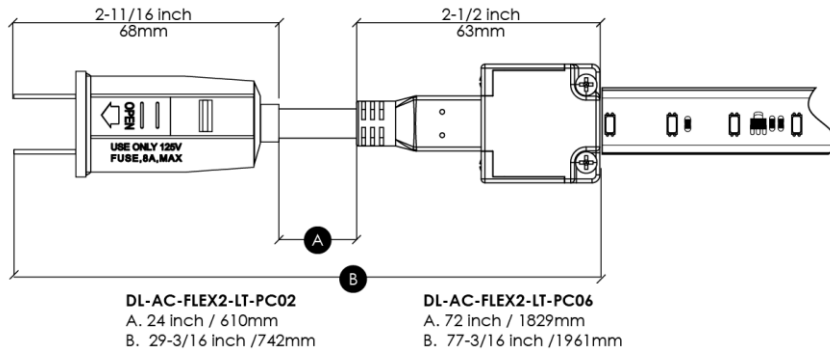
Type	
Project	
Catalog No.	

## TECHNICAL DRAWING

### LED STRIP WITH POWER CONNECTOR AND ENDCAP



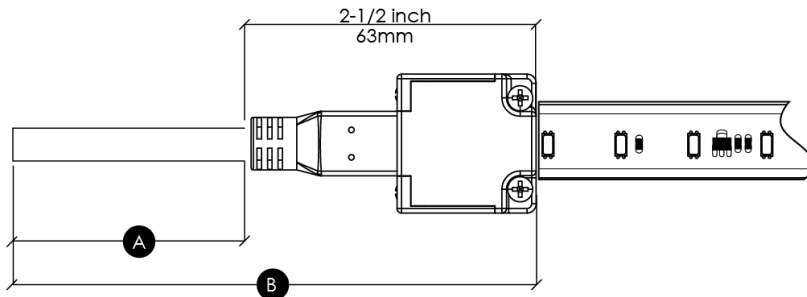
### INDOOR CORD AND PLUG



**DL-AC-FLEX2-LT-PC02**  
A. 24 inch / 610mm  
B. 29-3/16 inch / 742mm

**DL-AC-FLEX2-LT-PC06**  
A. 72 inch / 1829mm  
B. 77-3/16 inch / 1961mm

### INDOOR / OUTDOOR HARDWIRE CORD



**DL-AC-FLEX2-LT-HW08**  
A. 96 inch / 2438mm  
B. 98-1/2 inch / 2501mm

**DL-AC-FLEX2-LT-HW20**  
A. 240 inch / 6096mm  
B. 242-1/2 inch / 6159mm



© JESCO LIGHTING GROUP, LLC

www.jescolighting.com  
support@jescolighting.com  
Tech Support: 855.592.0029

15 Harbor Park Drive  
Port Washington, NY 11050  
Main Line: 800.527.7796  
Fax Line: 855.265.5768

219 South 6<sup>th</sup> Ave  
City of Industry, CA 91746  
Main Line: 855.654.0110  
Fax Line: 626.333.2955

JW  
11/20/2020

Specifications subject to change without notice.

Page 3 of 6



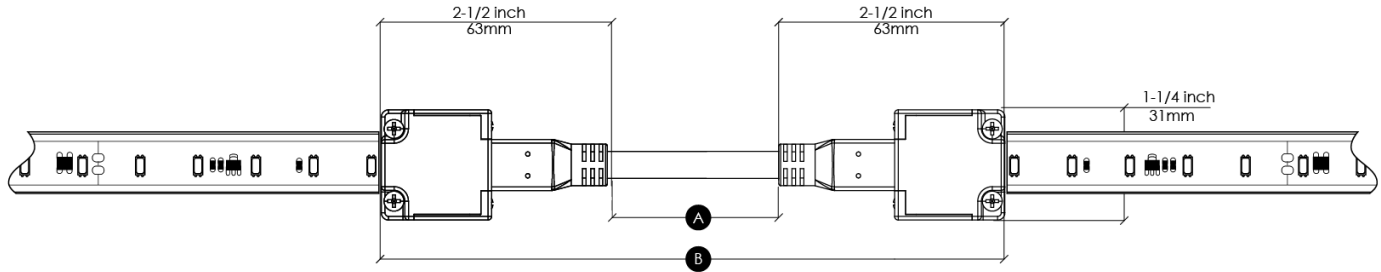
# DL-AC-FLEX2-LT

INFINA® FLEXIBLE LINEAR  
DRIVERLESS FLEXIBLE LINEAR STRIP

Type	
Project	
Catalog No.	

## CONNECTING CABLE

Power and connecting cable rating: SJTW 300V 105°C/221°F 2x18AWG Ø 5/16inch/7.2mm  
Cable length tolerance: +3/8" (10mm)/-0



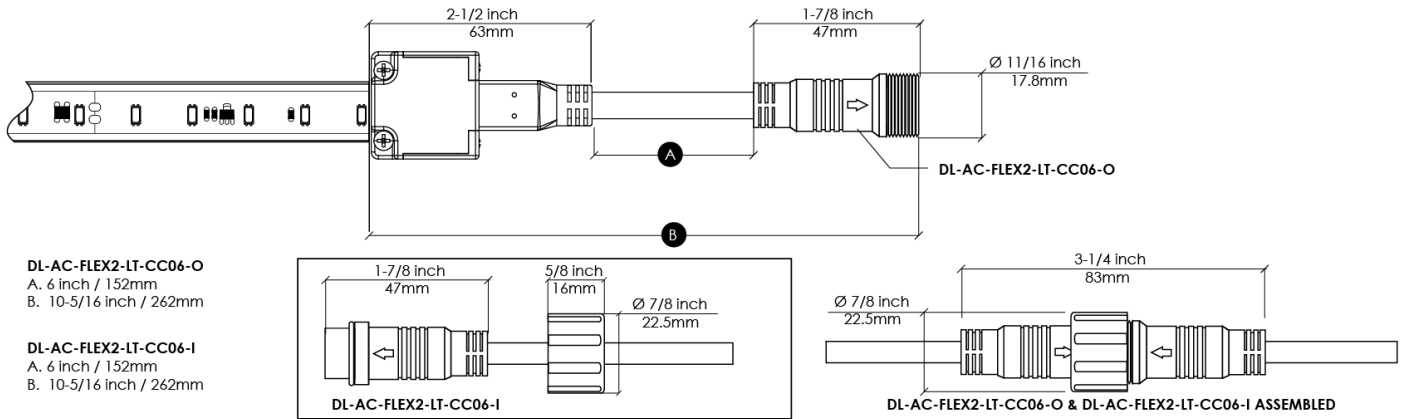
**DL-AC-FLEX2-LT-CC03**  
A. 3 inch / 76mm  
B. 7-15/16 inch / 202mm

**DL-AC-FLEX2-LT-CC06**  
A. 6 inch / 152mm  
B. 10-15/16 inch / 278mm

**DL-AC-FLEX2-LT-CC12**  
A. 12 inch / 305mm  
B. 16-15/16 inch / 431mm

**DL-AC-FLEX2-LT-CC24**  
A. 24 inch / 610mm  
B. 24-7/16 inch / 736mm

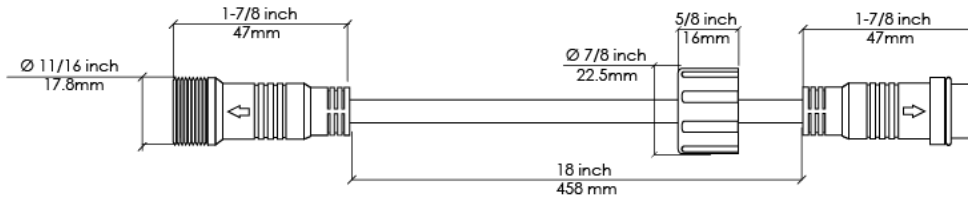
## CONNECTING CABLE WITH OUTDOOR RATED BARREL INPUT / OUTPUT CONNECTOR



**DL-AC-FLEX2-LT-CC06-O**  
A. 6 inch / 152mm  
B. 10-5/16 inch / 262mm

**DL-AC-FLEX2-LT-CC06-I**  
A. 6 inch / 152mm  
B. 10-5/16 inch / 262mm

## EXTENSION CABLE WITH OUTDOOR RATED BARREL INPUT / OUTPUT CONNECTOR



DL-AC-FLEX2-EXT18



© JESCO LIGHTING GROUP, LLC

www.jescolighting.com  
support@jescolighting.com  
**Tech Support:** 855.592.0029

15 Harbor Park Drive  
Port Washington, NY 11050  
**Main Line:** 800.527.7796  
**Fax Line:** 855.265.5768

219 South 6<sup>th</sup> Ave  
City of Industry, CA 91746  
**Main Line:** 855.654.0110  
**Fax Line:** 626.333.2955

Specifications subject to change without notice.

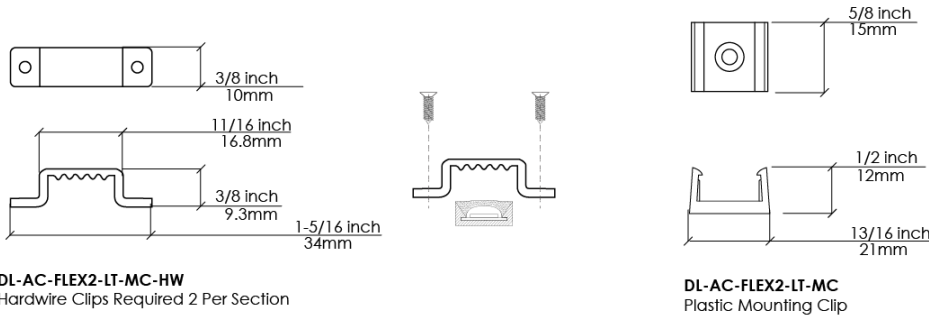


# DL-AC-FLEX2-LT

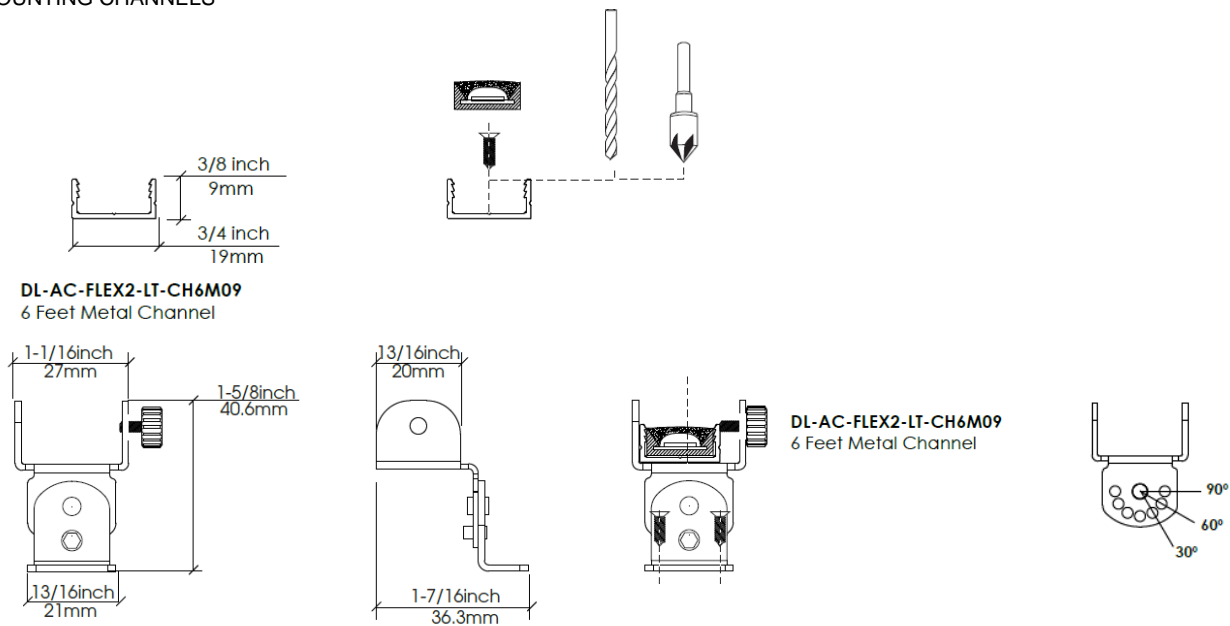
INFINA® FLEXIBLE LINEAR  
DRIVERLESS FLEXIBLE LINEAR STRIP

Type	
Project	
Catalog No.	

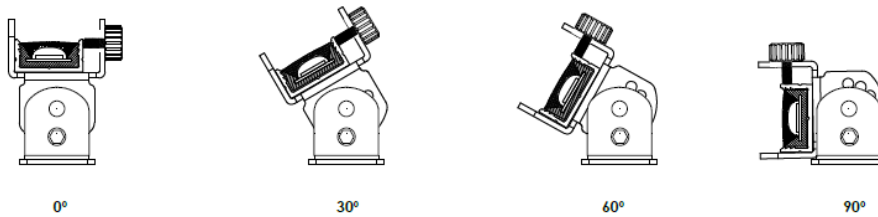
## MOUNTING CLIPS



## MOUNTING CHANNELS



**DL-AC-FLEX2-ADJBR**  
Universal Adjustable Mounting Bracket For DL-AC-FLEX2-LT-CH6M09



## COMPATIBLE DIMMERS\*

Manufacturer: Lutron

### SKYLAR SERIES

SELV-300P	300W	70 Ft Max
SELV-600P	600W	140 Ft Max

### DIVA SERIES

DVELV-300P	300W	70 Ft Max
DVELV-600P	600W	140 Ft Max

### NOVA T SERIES

NTELV-300P	300W	70 Ft Max
NTELV-600P	600W	140 Ft Max

NOTE: All available dimmers have not been tested with INFINA® and there may be several factors during installation that can affect performance.

Prior testing of your exact application of INFINA® and your designated dimmer is highly recommended. For dimmers that are not listed, please contact factory.



© JESCO LIGHTING GROUP, LLC

www.jescolighting.com  
support@jescolighting.com  
Tech Support: 855.592.0029

15 Harbor Park Drive  
Port Washington, NY 11050  
Main Line: 800.527.7796  
Fax Line: 855.265.5768

219 South 6<sup>th</sup> Ave  
City of Industry, CA 91746  
Main Line: 855.654.0110  
Fax Line: 626.333.2955

JW

11/20/2020

Specifications subject to change without notice.

Page 5 of 6








# DL-AC-FLEX2-LT

INFINA® FLEXIBLE LINEAR  
DRIVERLESS FLEXIBLE LINEAR STRIP

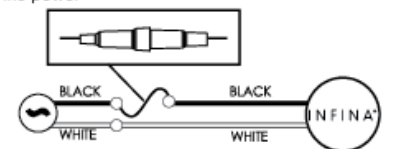
Type	
Project	
Catalog No.	

## CAUTION

 <b>DO NOT BEND ON HORIZONTAL PLANE</b>	 <b>DO NOT BEND 90°</b>	 <b>DO NOT TWIST</b>	 <b>DO NOT HANG</b>	 <b>DO NOT SUSPEND</b>
 <b>DO NOT INSTALL INSIDE BUILDING STRUCTURES</b>	 <b>DO NOT FOLD OR OVERLAP</b>	 <b>DO NOT CUT LED STRIP OR CONNECTING CABLE</b>	 <b>DO NOT PUNCTURE LED STRIP</b>	 <b>DO NOT STEP ON OR PUT OBJECTS ON TOP</b>
 <b>DO NOT COVER</b>	 <b>DO NOT PAINT OVER ANY PARTS</b>	 <b>DO NOT USE THIRD PARTY FASTENERS</b>	 <b>DO NOT USE ADHESIVE FOR INSTALLATION</b>	 <b>DO NOT POWER ON WHEN STRIP LIGHT IS IN A SPOOL</b>

### HARDWIRE WIRING

**FUSE HOLDER WITH 6.3A FUSE (included)**  
install between the positive leads of the fixture and the power



**INCORRECT BRANCH CIRCUIT CONNECTION WILL VOID THE WARRANTY OF THE PRODUCT**

FUSE HOLDER MUST BE INSTALLED IN THE JUNCTION BOX

### HARDWIRE MOUNTING



FOR HARDWARE APPLICATIONS, A PROVIDED HW CLIP MUST BE INSTALLED AT THE BEGINNING AND END OF EACH SECTION

### OUTDOOR

- MAKE SURE ALL CONNECTIONS ARE SEALED AND WATER TIGHT**
- CONNECTS TO GFCI CIRCUITS ONLY
  - DO NOT SUBMERGE IN LIQUID OR IN AREAS WHERE WATER WILL PUDDLE
  - DO NOT INSTALL NEAR AREAS WITH EXPOSURE TO SALT WATER OR CHLORINATED WATER

		
--	---	---

**NOTE:** Avoid installing at locations with prolonged exposure to direct sunlight to prevent extended heat buildup and to prevent irreversible damages to the LED.

## WARRANTY IS VOID IF ANY OF THE ABOVE ARE VIOLATED

A 5 YEAR LIMITED WARRANTY for applications that necessitate up to 16 consecutive operational hours per 24 hour period.  
A 2 YEAR LIMITED WARRANTY for applications that necessitate more than 16 consecutive operational hours per 24 hour period.



© JESCO LIGHTING GROUP, LLC

www.jescolighting.com  
support@jescolighting.com  
Tech Support: 855.592.0029

15 Harbor Park Drive  
Port Washington, NY 11050  
Main Line: 800.527.7796  
Fax Line: 855.265.5768

219 South 6<sup>th</sup> Ave  
City of Industry, CA 91746  
Main Line: 855.654.0110  
Fax Line: 626.333.2955

JW  
11/20/2020

Specifications subject to change without notice.