



DL-FLEX-WETCC & DL-FLEX-WETCC-HO

LED FLEXIBLE LINEAR WET LOCATION
DL-FLEX-WETCC STATIC SERIES

Type	
Project	
Catalog No.	



DL-FLEX-WETCC



DL-FLEX-WETCC-HO

DESCRIPTION

DL-FLEX-WETCC & DL-FLEX-WETCC-HO are flexible, outdoor LED tapes providing energy-efficient lighting for both indoor and outdoor applications. Constant current IC chips ensure consistent lumen output from the start of the run all the way to the end, and 3- Step MacAdam binning ensures color consistency. Both LED tapes are IP66 rated for outdoor applications with connectors having waterproof threaded cover to make the whole run weatherproof. Uniquely molded endcaps with strain relief increases durability. Not field-cutttable.

Dimmable with a variety of dimming options. 3M™ VHB adhesive tape backing. For additional support, mounting clips or aluminum outdoor channel options available. (2) DL-PS-OD-CLIP mounting clips included with every run, recommended for use at the start and end of then run. For best results, make bends on center between the LEDs with a bend angle no less than 45 degrees.

SPECIFICATIONS

Input Voltage	24V DC
Beam Angle	120°
Lamp Life	50,000 hours
CRI	80+
Dimensions (per section)	1/2"W x 1/4"H See Ordering Information for exact lengths.
LEDs (per ft)	18
LED spacing	5/8"
Operating Temperature *	-22°F - 140°F
Max Run †	DL-FLEX-WETCC : 30 ft DL-FLEX-WETCC-HO : 20 ft
Cut Length †	~ 3-15/16"
Mounting	Double Sided 3M™ VHB tape (Optional: Clips or Channel)
Environment ‡	Dry, Damp, and Wet location IP66
Certifications	
Warranty	5 Years – see published warranty terms for detailed information.

* Exceeding the operating temperature values may damage the LEDs by reducing the lifespan, lumen output, and adversely impact color consistency. It is recommended adequate airflow and heatsinking be taken into consideration in the installation and application of this product. Improper thermal management may lead to premature product failure.

† Single runs cannot exceed max run values. Cut length indicates minimum increments.

‡ This product cannot be submersed in water.

LUMEN DATA

Part Number	Color Temp *	Watts (per ft)	Lumens (per ft)	Efficacy (lm/W)
DL-FLEX-WETCC	Warm White	1.3	108.6	83
	Neutral White	1.3	115.9	89
DL-FLEX-WETCC-HO	Warm White	3.25	266.5	82
	Neutral White	3.25	281.5	86.5

* Warm White: 2800-3200K, Neutral White: 3800-4200K

Contact factory for other color options.

APPLICATIONS

- Outdoor gardens
- Path and contour marking
- Outdoor display lighting
- Bathroom lighting
- Signage
- Accent and edge lighting
- Backlighting

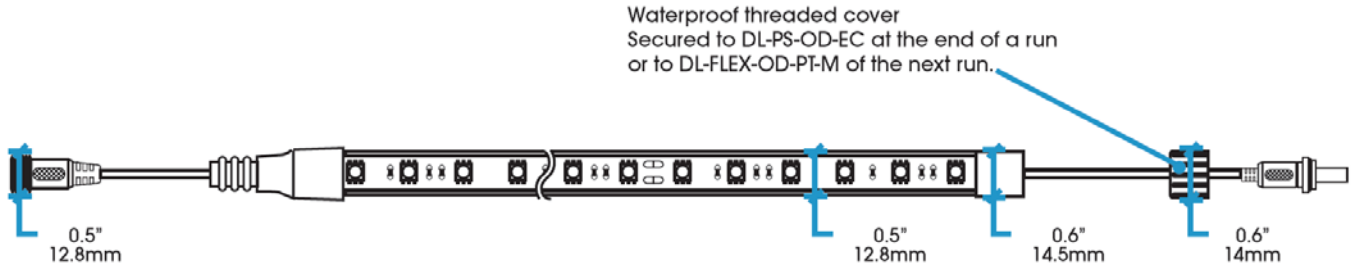


DL-FLEX-WETCC & DL-FLEX-WETCC-HO

LED FLEXIBLE LINEAR WET LOCATION
DL-FLEX-WETCC STATIC SERIES

Type	
Project	
Catalog No.	

DIMENSIONS



ORDERING INFORMATION - Note: Specify the length. DL-FLEX-WETCC is cut-to-length and, therefore, considered custom and non-returnable.

MODEL	CCT
DL-FLEX-WETCC DL-FLEX-WETCC-HO	WW – Warm White (2800K-3200K) NW – Neutral White (3800K-4200K)

Example: DL-FLEX-WETCC-WW

Note: Termination options for both input and output must be purchased with the fixture

Note: Specify the length. DL-FLEX-WETCC is cut-to-length and, therefore, considered custom and non-returnable.

Note: (2) DL-PS-OD-CLIP mounting clips included with every run, recommended for use at the start and end of then run.

TERMINATION OPTIONS (Must select one for input and one for output)

	Part Number	Description
	DL-FLEX-OD-PT-M	FLEX-WETCC Outdoor input power connector, clear wire Pre-assembled at the beginning of FLEX-WETCC tape. Length: 6 inches*
	DL-FLEX-OD-PT-F	FLEX-WETCC Outdoor output power connector, clear wire Pre-assembled at the end of FLEX-WETCC tape. Length: 6 inches, Lock Nut Diameter: 11/16 inch* Requires DL-PS-OD-EC to seal connector if not connecting to another run.
	DL-FLEX-OD-PC-HW	FLEX-WETCC bare wire power lead wires, clear wire Pre-assembled at the beginning or end of FLEX-WETCC tape. Length: 6 inches*
	DL-FLEX-OD-EC	FLEX-WETCC end cap

* All dimensions are nominal



DL-FLEX-WETCC & DL-FLEX-WETCC-HO

LED FLEXIBLE LINEAR WET LOCATION
DL-FLEX-WETCC STATIC SERIES

Type	
Project	
Catalog No.	

LENGTH CHART

Note: DL-FLEX-WETCC is cut-to-length and, therefore, considered custom and non-returnable.

Length Chart

Order Length (feet)	Actual Length (+/- 1/2")
1	11-13/16"
2	1' 11-5/8"
3	2' 11-7/16"
4	3' 11-1/4"
5	4' 11-1/16"
6	5' 10-7/8"
7	6' 10-11/16"
8	7' 10-1/2"
9	8' 10-5/16"
10	9' 10-1/8"

Order Length (feet)	Actual Length (+/- 1/2")
11	10' 9-15/16"
12	11' 9-3/4"
13	12' 9-9/16"
14	13' 9-3/8"
15	14' 9-3/16"
16	15' 9"
17	16' 8-13/16"
18	17' 8-5/8"
19	18' 8-7/16"
20	19' 8-1/4"

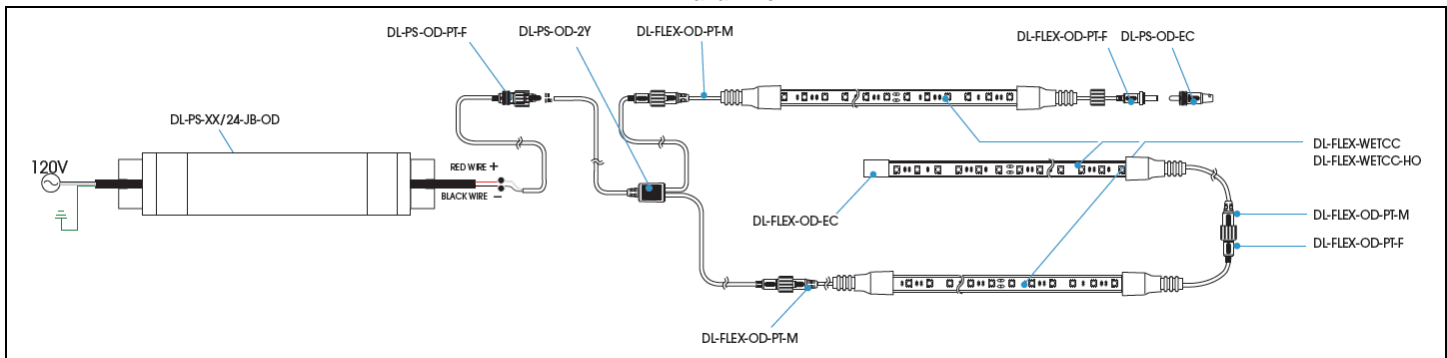
Order Length (feet)	Actual Length (+/- 1/2")
21	20' 11-15/16"
22	21' 11-3/4"
23	22' 11-9/16"
24	23' 11-3/8"
25	24' 11-3/16"
26	25' 11"
27	26' 10-13/16"
28	27' 10-5/8"
29	28' 10-7/16"
30	29' 6-5/16"

Notes :

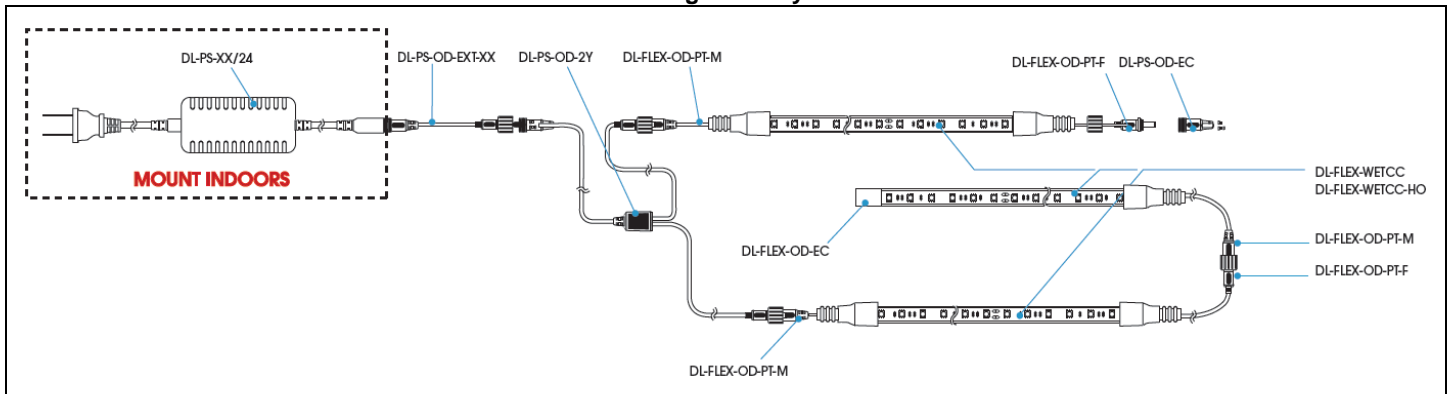
1. Add up to 1 to 1-1/4 inches to the specified length for the input and output connection options.
2. Specified lengths in white color temperatures can be cut down by increments of 3-15/16 inches.
Example: Desired length 20' 6". Order 21'. 21' = 20' 11-15/16".
20' 11-15/16" - 3-15/16" = 20' 8"
or
20' 11-15/16" - 7-1/16" = 20' 4-7/8"

WIRING DIAGRAMS – For reference purposes only. Not for installation. Not to scale.

Hardwire



Plug and Play



www.jescolighting.com
support@jescolighting.com
Tech Support: 855.592.0029

15 Harbor Park Drive
Port Washington, NY 11050
Main Line: 800.527.7796
Fax Line: 855.265.5768

219 South 6th Ave
City of Industry, CA 91746
Main Line: 855.654.0110
Fax Line: 626.333.2955

Rev 6
8/8/2019

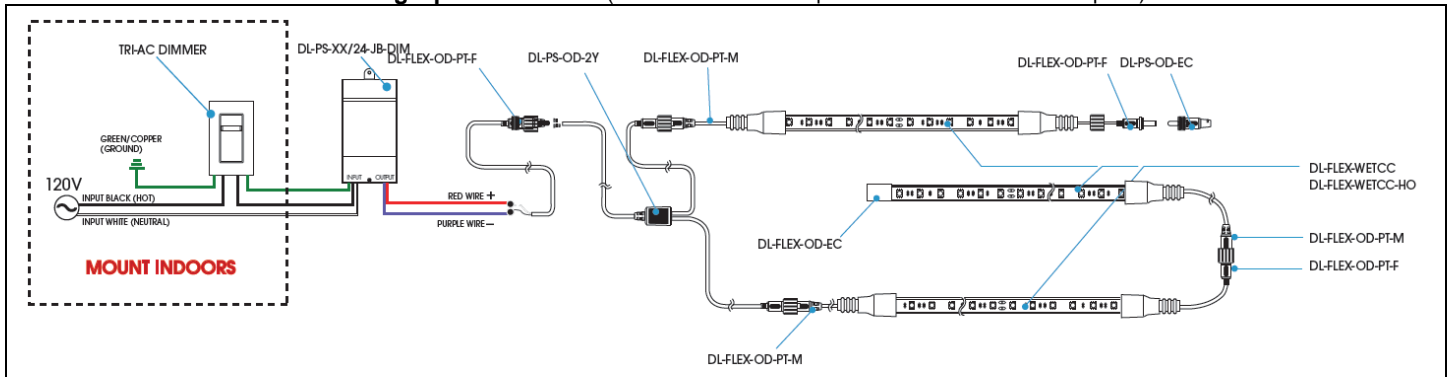


DL-FLEX-WETCC & DL-FLEX-WETCC-HO

LED FLEXIBLE LINEAR WET LOCATION
DL-FLEX-WETCC STATIC SERIES

Type	
Project	
Catalog No.	

Dimming Option – TRI-AC (See LC-DIM5A-HW specification sheet for 0-10V option)





DL-FLEX-WETCC & DL-FLEX-WETCC-HO

LED FLEXIBLE LINEAR WET LOCATION
DL-FLEX-WETCC STATIC SERIES

Type	
Project	
Catalog No.	

POWER SUPPLY– See Specification Sheets for more information.

If the Max Load of a power supply exceeds the fixture's Max Run, then you may install multiple runs per given power supply.
 Wattage = Max power capacity of power supply. May need to be de-rated if operating at max temperature.
 Max Load = Fixture quantity a power supply can power.
 Max Run = Maximum length of a single run.

Hard-Wire Dimmable Power Supplies* Dry and Wet Location (IP67) UL Listed (with Junction Box)		DL-FLEX-WETCC	DL-FLEX-WETCC-HO
		Max Run : 30 ft 1.3 W/ft	Max Run : 20 ft 3.25 W/ft
Model Number	Wattage	Max Load (ft) 8W min. load	Max Load (ft) 8W min. load
DL-PS-40/24-JB-DIM*	40	7-27	3-11
DL-PS-60/24-JB-DIM*	60	7-41	3-16
DL-PS-100/24-JB-DIM*	100	7-69	3-27

Hard-Wire Dimmable Power Supplies* Dry and Wet Location (IP67) UL Recognized		DL-FLEX-WETCC	DL-FLEX-WETCC-HO
		Max Run : 30 ft 1.3 W/ft	Max Run : 20 ft 3.25 W/ft
Model Number	Wattage	Max Load (ft) 8W min. load	Max Load (ft) 8W min. load
DL-PS-40/24-HW-DIM**	40	7-27	3-11
DL-PS-60/24-HW-DIM**	60	7-41	3-16
DL-PS-100/24-HW-DIM**	100	7-69	3-27

Hard-Wire Power Supplies Wet, Damp, or Dry Location UL Listed (with Junction Box)		DL-FLEX-WETCC	DL-FLEX-WETCC-HO
		Max Run : 30 ft 1.3 W/ft	Max Run : 20 ft 3.25 W/ft
Model Number	Wattage	Max Load (ft)	Max Load (ft)
DL-PS-80/24-JB-OD	80	55	22
DL-PS-96/24-JB-OD	96	66	26

Plug & Play Power Supplies Dry Location UL Listed		DL-FLEX-WETCC	DL-FLEX-WETCC-HO
		Max Run : 30 ft 1.3 W/ft	Max Run : 20 ft 3.25 W/ft
Model Number	Wattage	Max Load (ft)	Max Load (ft)
DL-PS-WP24/24	24	16	6
DL-PS-24/24	24	16	6
DL-PS-48/24	48	33	13
DL-PS-60/24	60	41	16
DL-PS-100/24	90	62	24
DL-PS-100/24-CL2 *	96	66	26

Hard-Wire Power Supplies Dry Location UL Listed (with Junction Box)		DL-FLEX-WETCC	DL-FLEX-WETCC-HO
		Max Run : 30 ft 1.3 W/ft	Max Run : 20 ft 3.25 W/ft
Model Number	Wattage	Max Load (ft)	Max Load (ft)
DL-PS-20/24-JBA	20	13	5
DL-PS-60/24-JBA	60	41	16
DL-PS-96/24-JBA	96	66	26

* UL listed Class 2 power supply.
 ** UL Recognized Class 2 power supply.
 † Dimmable with TRIAC dimmer, requires a minimum 8W of load

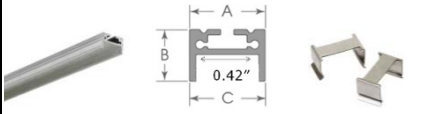



DL-FLEX-WETCC & DL-FLEX-WETCC-HO

LED FLEXIBLE LINEAR WET LOCATION
DL-FLEX-WETCC STATIC SERIES

Type	
Project	
Catalog No.	




MOUNTING OPTIONS

	Part Number	Description
	DL-FLEX-OD-CH6 A- 11/16" B - 7/16" C - 11/16"	6' aluminum outdoor channel. Field cuttable. Comes with 12 Snap-on clasps (2 per ft) to have the option to completely secure tape to channel
	DL-FLEX2-MC-12	Mounting clip for DL-FLEX-WETCC, recommended 3 per foot. (2 clips included with every run, recommended for use at the start and end of then run)


* All dimensions are nominal

** To insure a proper installation, internal solder joint found in the tape cannot be mounted directly over the point at which 2 extrusions meet.

OUTDOOR CONNECTION CABLES

	Part Number	Description
	DL-PS-OD-2Y	2-Way power splitter, clear wire * Overall Length: 13 inches Length of Split Lead: 6 inches Lock Nut Diameter: 11/16 inch
	DL-PS-OD-3Y	3-Way power splitter, clear wire * Overall Length: 13 inches Length of Split Lead: 6 inches Lock Nut Diameter: 11/16 inch
	DL-PS-OD-EC	Outdoor DC output power connector end cap. Must be attached to the end of any open run.

* All dimensions are nominal

	Part Number	Description
	DL-PS-OD-EXT18	Extension cable, clear wire * Length: 18 inches Lock Nut Diameter: 11/16 inch
	DL-PS-OD-EXT48	Extension cable, clear wire * Length: 48 inches Lock Nut Diameter: 11/16 inch
	DL-PS-OD-EXT96	Extension cable, clear wire * Length: 96 inches Lock Nut Diameter: 11/16 inch

DIMMING OPTIONS

See our complete line of remote, wall mounted and hand-held [DIMMING OPTIONS](#) online for more information.



MOUNTING ACCESSORIES

See Channel Feature Matrix below.

See our complete line of rough-in, recessed and surface mount [FLEXIBLE LINEAR MOUNTING CHANNELS](#) online for more information.





DL-FLEX-WETCC & DL-FLEX-WETCC-HO

LED FLEXIBLE LINEAR WET LOCATION
DL-FLEX-WETCC STATIC SERIES

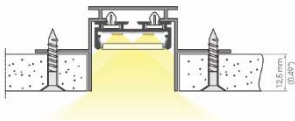
Type	
Project	
Catalog No.	

CHANNEL FEATURE MATRIX

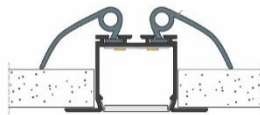
	ROUGH-IN				BASIC
	CH-RI-11	CH-RI-12	CH-RI-13	CH-RI-14	DL-FLEX-OD-CH6
DL-FLEX-UP	•	•	•	•	•
DL-FLEX-HO	•	•	•	•	•
DL-FLEX-UP-ULTRA	•	•	•	•	•
DL-FLEX-HD	•	•	•	•	•
DL-FLEX-UP-RGB	•	•	•	•	•
DL-FLEX-UP-CTA	•	•	•	•	•
DL-FLEX-WETCC	•	•	•	•	•
Surface Mounting			C	C/E	D
45° Mounting					
Recessed – For Miter Grooves					
Rough-in – For Walls & Ceilings	A/B	A	A	A	
Adjustable Mounting					
Outdoor Mounting					•
Flangeless			•	•	•
Flanged	•	•			
Lens Included					
Lensless					•
Lens – UV and Fire Rated up to 240F option	•	•	•		
Small Profile Depth – Diffused Light					•
Medium Profile Depth – More Diffused Light					
Large Profile Depth – Best Diffused Light	•	•	•	•	
Aluminum – Anodized	•	•	•	•	•
MDF (easy paintable)					
6 Ft. Length					•
6-1/2 Ft. Length (2 meters)	•	•	•	•	

SUGGESTED MOUNTING TECHNIQUES

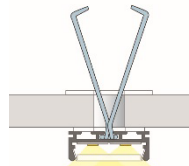
A Drywall Recessed Rough-In Mounting with Channel Housing



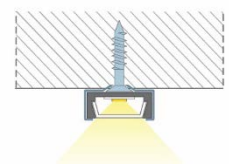
B Drywall Recessed Rough-In Mounting with Spring Clip



C Surface Mounting onto Drywall or Drop Ceilings



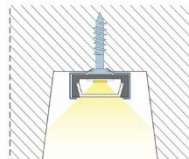
D Surface Mounting with Bracket



E Surface mounting by Sliding onto Flat Head Screws



F Recessed Mounting into Mitered Groove with Bracket



G Recessed Mounting into a Mitered Groove using a flanged Channel

