



DL-FLEX2-LR62

LED FLEXIBLE LINEAR
24VDC LONG MAX. RUN LED FLEXIBLE STRIP

Type	
Project	
Catalog No.	



DESCRIPTION

JESCO Lighting's DL-FLEX2-LR62 is a low power LED strip with a long max run. One driver and on-board voltage regulators throughout the run allow for a max run of 62' 4" without significant voltage drop that is simple to install. The strip is field-cutable every 3-1/4" for shorter runs. Cut ends can be linked with connectors (sold separately). Easy installation to most surfaces categorized as having high surface energy using pre-attached 3M® double sided tape. The tape is dimmable using JESCO's various dimming options.

SPECIFICATIONS

Input Voltage	24V DC
CRI	90+
LED Density	18 LEDs/ft
Ambient Temperature *	-4° to 122°F (-20° to 50°C)
Dimensions	7/16"W x 1/8"H
Max Run†	62' 4"
Min Run †	3-1/4"
Beam Angle	120°
Environment	Indoor – Dry
Certifications	US LISTED
Warranty□	5 Years – see published warranty terms for detailed information.

* Exceeding the ambient or operating temperature values may damage the LEDs by reducing the lifespan, lumen output, and/or adversely impact color consistency. It is recommended adequate airflow and heatsinking be taken into consideration in the installation and application of this product. Improper thermal management may lead to premature product failure and void the warranty.

† Single runs can not exceed max run length. Cuts can only be made on the cutting mark.

PHOTOMETRIC DATA

PART NUMBER	CCT	POWER (+/- 10%)	LUMEN (+/- 10%)	EFFICACY
DL-FLEX2-LR62-3090	3000K	1.5 W/ft	105.2 lm/ft	70 lm/W
DL-FLEX2-LR62-4090	4000K	1.5 W/ft	112.1 lm/ft	74 lm/W

FEATURES

- Very long max. run – 62' 4"
- 3-Step MacAdam LED binning for uniformity in both color and intensity
- 2oz. PCB thickness for optimal thermal management
- Field-cutable
- Cut ends can be linked with connectors. No soldering required.
- Easy installation with 3M® adhesive tape
- Low profile and flexible
- Large variety of channel and lens options available
- Plug and Play and Hardwire options available
- No ultra violet (UV/IR) radiation, no mercury
- Dimmable

APPLICATIONS

- Under-shelf and under-cabinet lighting
- Cove and soffit lighting
- Path and contour marking
- Display lighting
- Accent and edge lighting
- Backlighting
- Signage

ORDERING INFORMATION

Ordered by the Foot:

SERIES	MODEL	COLOR
DL-FLEX2	LR62	
		3090 – 3000K / 90CRI
		4090 – 4000K / 90CRI

Specify required amount of 1 ft lengths before the ordering number.
Example: 10 x DL-FLEX2-LR62-3090

Ordered by the Reel:

SERIES	MODEL	COLOR	REEL LENGTH
DL-FLEX2	LR62		62FT
		3090 – 3000K / 90CRI	62FT – 62' 4" (19m)
		4090 – 4000K / 90CRI	

DL-FLEX2-LR62 is packaged in 62' 4" (19m) reel lengths.
Each reel comes with input plug and play power connectors pre-assembled to each end of the reel.
Example: DL-FLEX2-LR62-3090-62FT



www.jescolighting.com
support@jescolighting.com
Tech Support: 855.592.0029

15 Harbor Park Drive
Port Washington, NY 11050
Main Line: 800.527.7796
Fax Line: 855.265.5768

219 South 6th Ave
City of Industry, CA 91746
Main Line: 855.654.0110
Fax Line: 626.333.2955

4/26/2021



DL-FLEX2-LR62

LED FLEXIBLE LINEAR
24VDC LONG MAX. RUN LED FLEXIBLE STRIP

Type	
Project	
Catalog No.	

WIRING ACCESSORIES WITH TERMINAL BLOCKS

	DL-FLEX2-TB10-PC-PP Plug and Play power cord. Connects Plug and Play equipment to LED strip. <i>Can only be connected to ends cut along the cutting mark*</i> 12" cable length.		DL-FLEX2-TB10-PC-HW Hardwire power cord. Connects hard-wire equipment to LED strip. <i>Can only be connected to ends cut along the cutting mark*</i> 12" cable length.
	DL-FLEX2-TB10-CC12 Connecting cable with 12" wire. Connects cut ends of 2 LED strips. Check for correct polarity before closing connector. <i>Can only be connected to ends cut along the cutting mark*</i>		DL-FLEX2-TB10-ICONN Linearly connects two pieces of LED strip. Check for correct polarity before closing connector. <i>Can only be connected to ends cut along the cutting mark*</i>
	DL-FLEX2-TB10-LCONN Connects two pieces of LED strip at a 90° angle. Check for correct polarity before closing connector. <i>Can only be connected to ends cut along the cutting mark*</i>		

WIRING ACCESSORIES WITH CLAMPS

	DL-FLEX2-CLAMP-PC-10B Plug and play power cord. Connects plug and play equipment to DL-FLEX2. <i>Can only be connected to ends cut along the cutting mark*</i> 12" cable		DL-FLEX2-CLAMP-PC-HW-10B Hardwire power cord. Connects hard-wire equipment to LED strip. Check for correct polarity before closing connector. <i>Can only be connected to ends cut along the cutting mark*</i> 12" cable length.
	DL-FLEX2-CLAMP-CC3-10B DL-FLEX2-CLAMP-CC6-10B DL-FLEX2-CLAMP-CC12-10B Connecting cable with 3"/6"/12" wire. Connects cut ends of 2 LED strips. Check for correct polarity before closing connector. <i>Can only be connected to ends cut along the cutting mark*</i>		

CLAMP CONNECTORS

	DL-FLEX2-CLAMP-WT10B Wire to Tape Connector for 10mm wide PCB Quick Splice action, insert unstripped wire (wire not provided). <i>Can only be connected to ends cut along the cutting mark.</i> Use 18-22AWG cable with outer diameter of \varnothing 1.5mm to \varnothing 2.1mm Max. operating current: 5A Ambient temp. range: 68°F to 122°F Dims: 5/8"(14.6mm) W x 1"(24.5mm) L x 3/8"(8mm) H		DL-FLEX2-CLAMP-TT10B Tape to Tape Connector for 10mm wide PCB Connects cut ends where indicated by a cutting mark of LED strip. Max. operating current: 5A Ambient temp. range: 68°F to 122°F Dims: 5/8"(14.6mm) W x 7/8"(19.5mm) L x 3/8"(8mm) H
--	--	--	---

*Avoid cutting on soldered joints. Segments starting with solder joint will not work with connector.

NOTE: All dimensions are nominal



www.jescolighting.com
support@jescolighting.com
Tech Support: 855.592.0029

15 Harbor Park Drive
Port Washington, NY 11050
Main Line: 800.527.7796
Fax Line: 855.265.5768

219 South 6th Ave
City of Industry, CA 91746
Main Line: 855.654.0110
Fax Line: 626.333.2955

4/26/2021

Specifications subject to change without notice.

Page 2 of 8



DL-FLEX2-LR62

LED FLEXIBLE LINEAR
24VDC LONG MAX. RUN LED FLEXIBLE STRIP

Type	
Project	
Catalog No.	

POWER SUPPLIES

24V Plug and Play Power Supplies UL Listed	
Model Number	Wattage
DL-PS-WP24/24	24
DL-PS-24/24	24
DL-PS-48/24	48
DL-PS-60/24	60
DL-PS-60/24-CL2*	60
DL-PS-90/24-CL2*	90
DL-PS-100/24-CL2*	96

* Class 2

24V Hardwire Power Supplies in Junction Box UL Listed. Class 2	
Model Number	Wattage
DL-PS-20/24-JBA	20
DL-PS-60/24-JBA	60
DL-PS-96/24-JBA	96

24V Hardwire Power Supplies UL Recognized. Class 2	
Model Number	Wattage
DL-PS-20/24-HWA	20
DL-PS-60/24-HWA	60
DL-PS-96/24-HWA	96

24V Hardwire 0-10V Dimmable Power Supplies in Junction Box UL Listed. Class 2	
Model Number	Wattage
DL-PS-30/24-JB-OD-DIM	30W
DL-PS-60/24-JB-OD-DIM	60W
DL-PS-96/24-JB-OD-DIM	96W

24V Hardwire TRIAC Dimmable Power Supplies in Junction Box UL Listed. Class 2	
Model Number	Wattage
DL-PS-40/24-JB-DIM*	40
DL-PS-60/24-JB-DIM*	60
DL-PS-100/24-JB-DIM*	96

*Min. 8W load required for proper dimming

24V Hardwire TRIAC Dimmable Power Supplies UL Recognized. Class 2	
Model Number	Wattage
DL-PS-40/24-HW-DIM*	40
DL-PS-60/24-HW-DIM*	60
DL-PS-100/24-HW-DIM*	96

*Min. 8W load required for proper dimming

NOTE: UL Recognized drivers must be installed in a UL Listed junction box

COMPATIBLE DIMMERS FOR DL-PS-XX/24-JB-OD-DIM POWER SUPPLIES

LUTRON:
Lutron Diva - DVTV
Lutron Diva - NFTV
Lutron Nova T - NTFTV

LEVITON:
Leviton Illumatech - IP7

WATT STOPPER:
Watt Stopper DCLV1

Lightolier Controls:
Lightolier Controls ZP600FAM120

Philips:
Philips Sunrise - SR1200ZTUNV

COMPATIBLE DIMMERS FOR DL-PS-XX/24-JB-DIM AND DL-PS-XX/24-HW-DIM POWER SUPPLIES

LUTRON:
Lutron Ariadni AYLV-600P
Lutron Caseta PD-WCL
Lutron Caseta PD-10NXD
Lutron Diva DV-600P
Lutron Diva DVLV-600P
Lutron Maestro MA-1000
Lutron Maestro MA-600
Lutron Nova N-1000
Lutron Nova N-600
Lutron Nova NTLV-600
Lutron Rotary D-600
Lutron RaidoRA2 RRD-6ND
Lutron SkyLark CTCL-153PD
Lutron SkyLark S-600
Lutron SkyLark SLV-600P
Lutron Toggler TGCL-153PH
Lutron Vareo V-600

LEVITON:
Leviton SureSlide 6633-PLW
Leviton Vizia VPM06-1LZ

LEGRANDE:
Legrand Adorne ADWR700MMTUW2



www.jescolighting.com
support@jescolighting.com
Tech Support: 855.592.0029

15 Harbor Park Drive
Port Washington, NY 11050
Main Line: 800.527.7796
Fax Line: 855.265.5768

219 South 6th Ave
City of Industry, CA 91746
Main Line: 855.654.0110
Fax Line: 626.333.2955

4/26/2021

Specifications subject to change without notice.

Page 3 of 8



DL-FLEX2-LR62

LED FLEXIBLE LINEAR
24VDC LONG MAX. RUN LED FLEXIBLE STRIP

Type	
Project	
Catalog No.	


LUTRON™ POWER SUPPLIES

Lutron 24V Dimmable PowerSupplies UL Listed (with Junction Box)			
Model Number		Dim Range	Wattage
DL-PS-L3DAE	Hi-lume 1% EcoSystem 24V LED Driver	100% – 1%	40
DL-PS-L3DA3W	Hi-lume 1% 3-wire 24V LED Driver	100% – 1%	40
DL-PS-LTEA2W	Hi-lume 1% 2-wire 24V LED driver (120 V forward phase only)	100% – 1%	40
DL-PS-L3D0E	Hi-lume Premier 0.1% EcoSystem 24V constant voltage LED driver with Soft-on, Fade-to-Black dimming technology	100% – 0.1%	96
DL-PS-L3D03W	Hi-lume Premier 0.1% 3-wire 24V constant voltage LED driver	100% – 0.1%	96

DIMMING OPTIONS

DS-DV-TV-WH	Wall-Plate Dimmer
LC-DIM5A	0-10V Plug & Play Dimmer
LC-DIM5A-HW	0-10V Hardwire Dimmer
LC-DIM100-RF	Plug & Play Remote Step Dimmer
LC-DIM100-RF-HW	Hardwire Remote Step Dimmer
LC-200-RPT	Power Repeater
LC-DIM200-RF-HW	Simple Hand-held Radio Frequency Dimmer Controller
LC-RF-400H-DIM	Hand-held Radio Frequency Dimmer Controller
LC-RF-400W-DIM	Wall Mounted Radio Frequency Dimmer Controller
LC-RF-402W-DIM	Wall Mounted Dual Radio Frequency Dimmer Controller
LC-RF-400-RCV	Radio Frequency Receiver

LED DRIVER + IN-WALL DIMMER SWITCH



DL-PS-100/24-DIM-WS

LED Driver + In-Wall Dimmer Switch

Dims: 4.1" L x 2.1" W x 1.4" H
Max Output: 100W
Rated Load Current: 4.2A

- LED Driver + In-Wall Dimmer Switch in one unit
- Simplifies LED installation by eliminating compatibility issues between driver and dimmer
- Fits in a standard recessed electrical box
- 100% - 1% smooth dimming. No minimum load
- Single Pole preset dimmer with on/off push switch
- Adjustable voltage output dial to address voltage drop
- Includes voltage barrier partition to install high and low voltage circuit in same switch box
- No derating required when ganging units
- Power failure memory: If power is interrupted, the dimmer will return to setting prior to interruption
- Three faceplates included: Glossy White, Glossy Light Almond, and Glossy Dark Brown (trim plates not included)

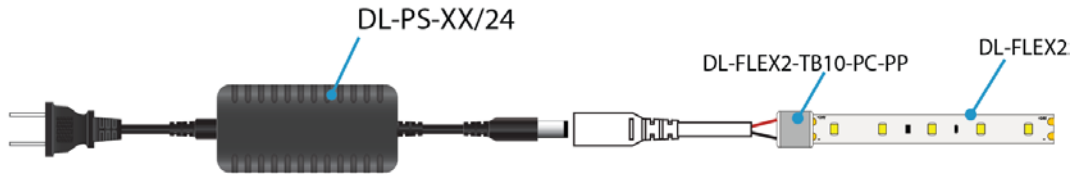


DL-FLEX2-LR62
LED FLEXIBLE LINEAR
 24VDC LONG MAX. RUN LED FLEXIBLE STRIP

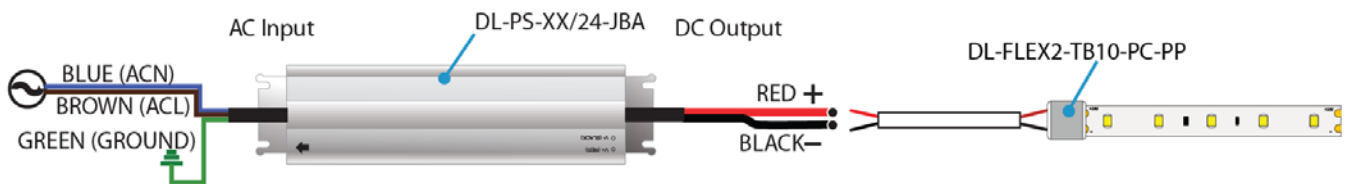
Type	
Project	
Catalog No.	

WIRING DIAGRAMS

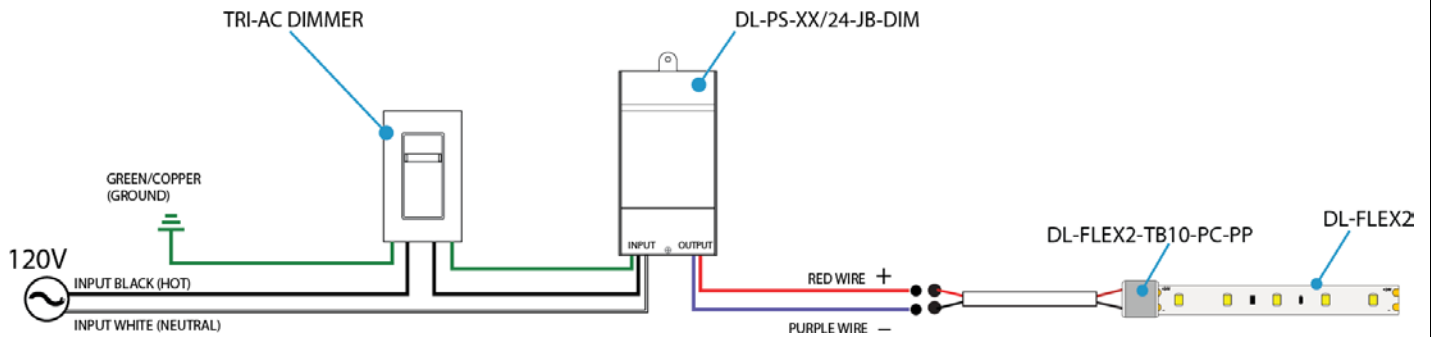
PLUG AND PLAY



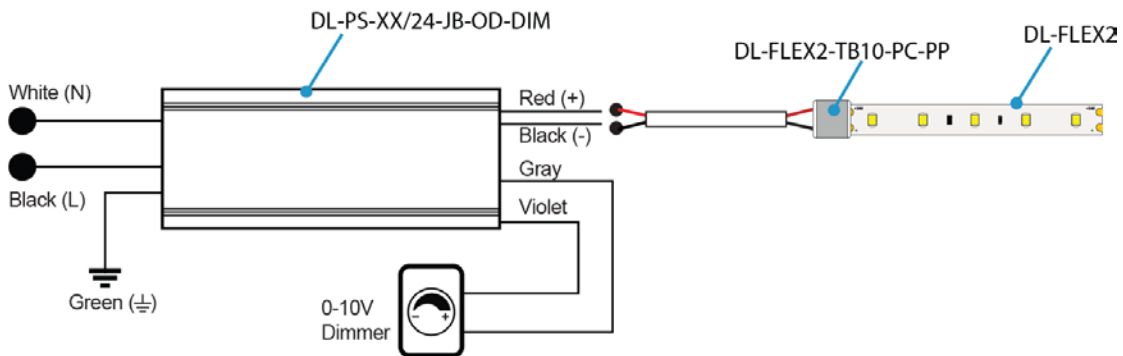
HARDWIRE



Dimming Option – TRI-AC (Using our DL-PS-XX/24-JB-DIM or DL-PS-XX/24-HW-DIM drivers). Minimum 8W load is required



Dimming Option – 0-10V (Using our DL-PS-XX/24-JB-OD-DIM drivers)



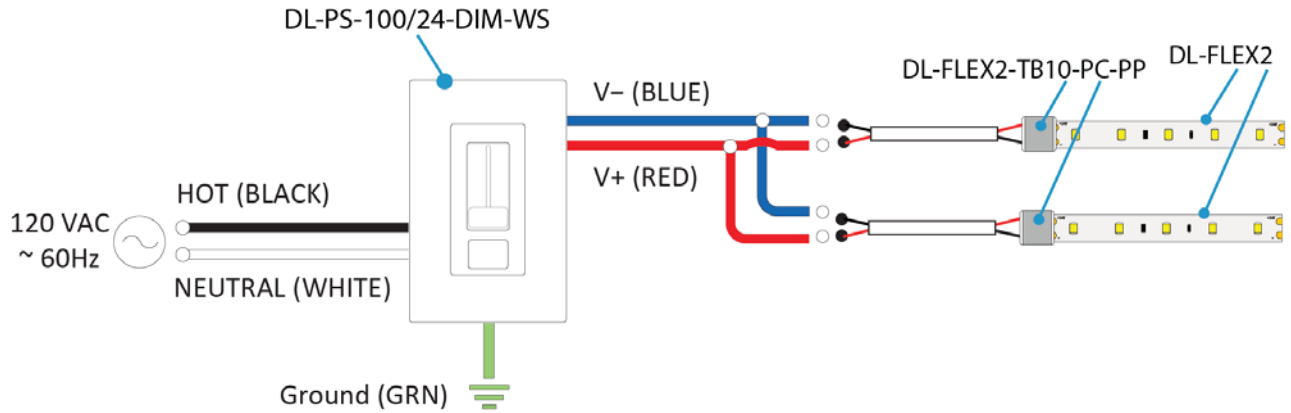


DL-FLEX2-LR62

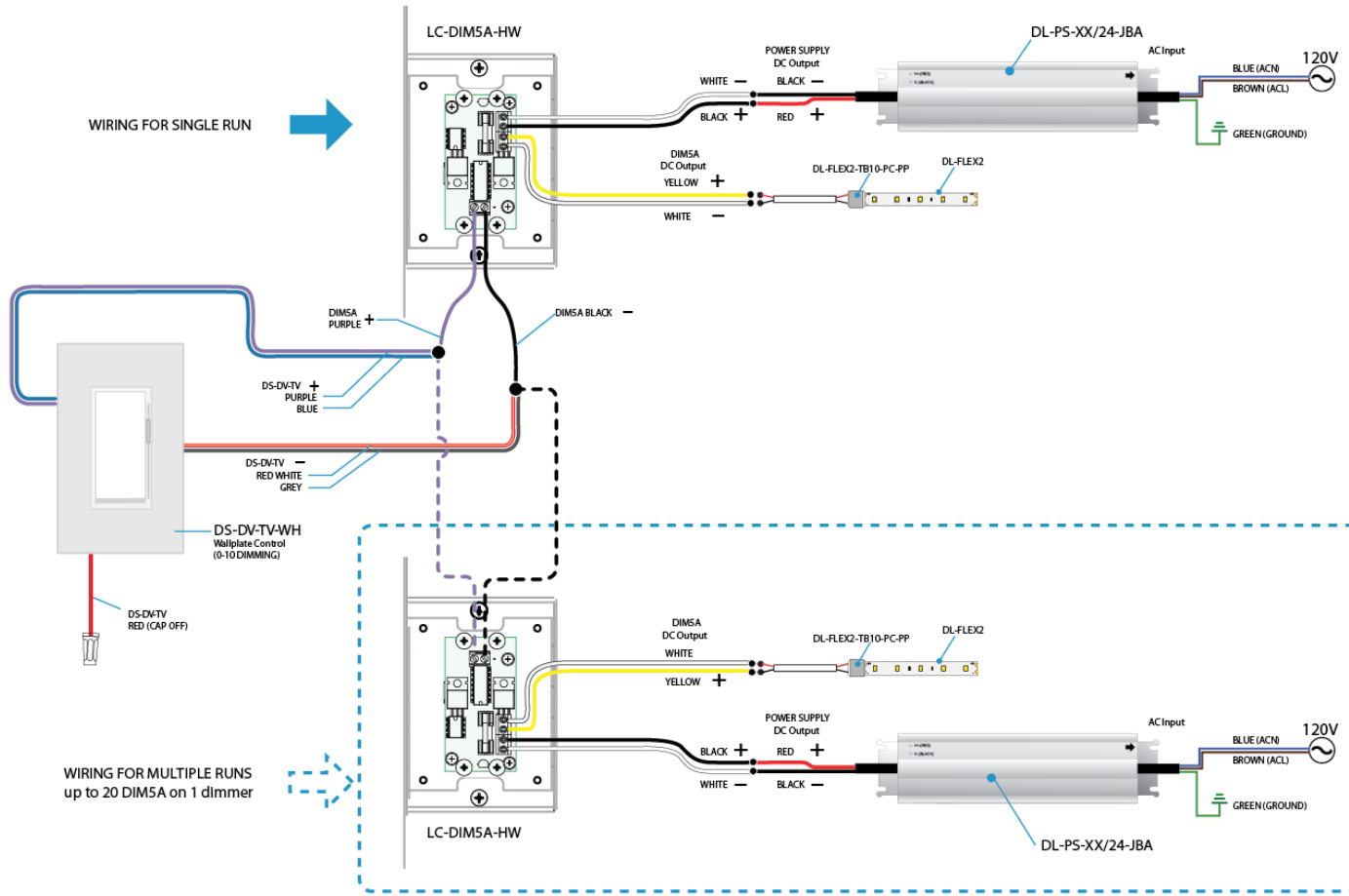
LED FLEXIBLE LINEAR
24VDC LONG MAX. RUN LED FLEXIBLE STRIP

Type	
Project	
Catalog No.	

Dimming Option – Using our DL-PS-100/24-DIM-WS Dimmer+Driver



Dimming Option – 0-10V (Using our LC-DIM-5A-HW Dimming Module)



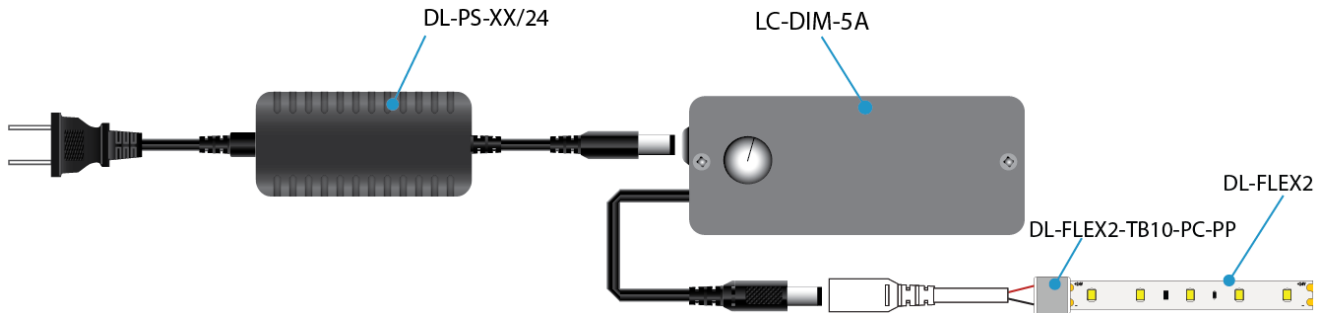


DL-FLEX2-LR62

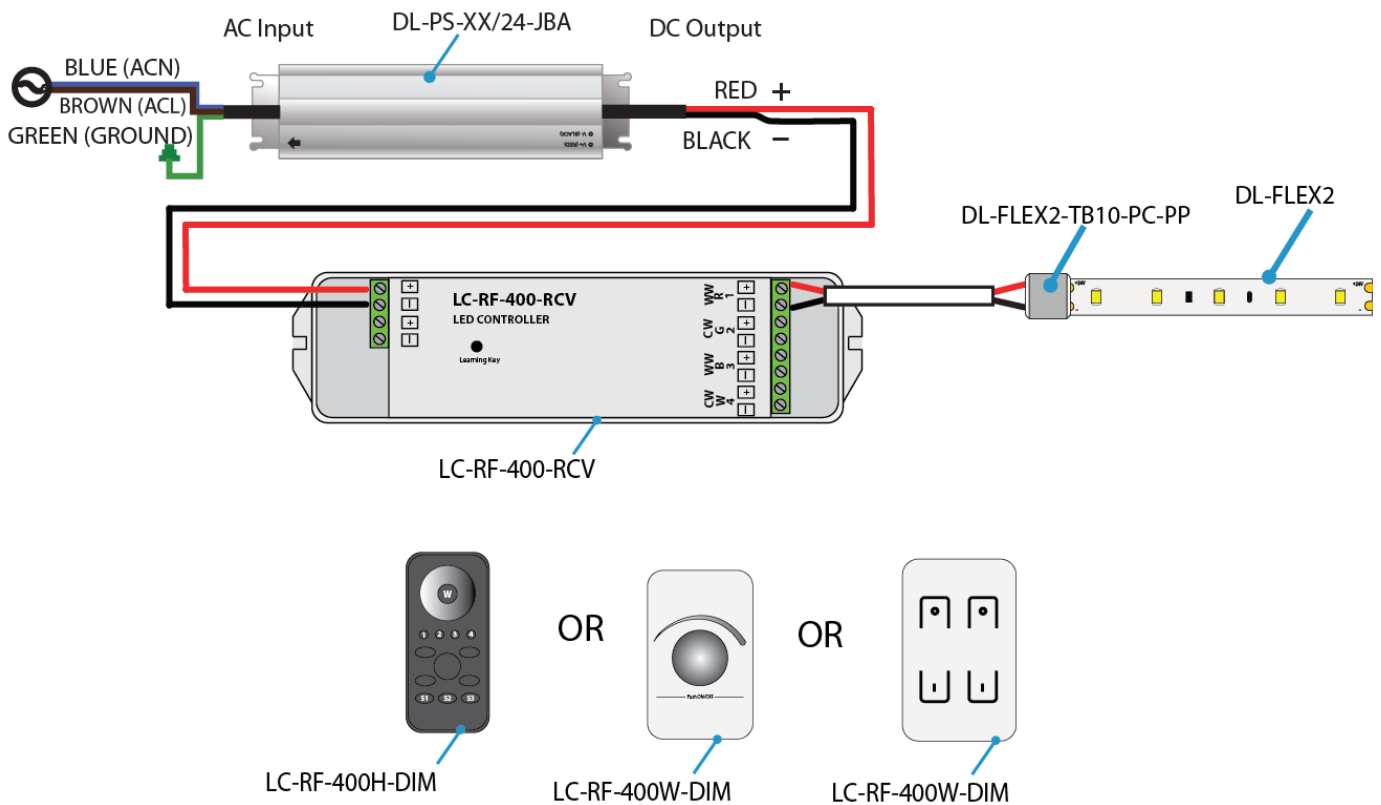
LED FLEXIBLE LINEAR
24VDC LONG MAX. RUN LED FLEXIBLE STRIP

Type	
Project	
Catalog No.	

Dimming Option – 0-10V (Using our LC-DIM-5A Dimming Module)



Dimming Option – PWM (Using LC-RF-400-RCV receivers and Radio Frequency controllers)





DL-FLEX2-LR62

LED FLEXIBLE LINEAR
24VDC LONG MAX. RUN LED FLEXIBLE STRIP

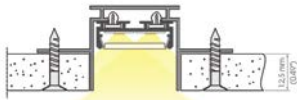
Type	
Project	
Catalog No.	

CHANNEL FEATURE MATRIX

	ROUGH-IN				MEDIUM DEPTH PROFILE				SMALL DEPTH PROFILE					BASIC		
	CH-RI-11	CH-RI-12	CH-RI-13	CH-RI-15	CH-ME-21	CH-ME-22	CH-ME-24	CH-ME-25	CH-SM-31	CH-SM-32	CH-SM-33	CH-SM-34	CH-SM-35	DL-FLEX-CH6	DL-FLEX-CH6-B	DL-FLEX-OD-CH6
DL-FLEX2-LR62	●	●	●	●	●	●	●	●	●	●	●	●	●		●	●
DL-FLEX2-LR62 w/ connectors	●	●	●	●												
Surface Mounting			C	C/E	D		D	D	D		D		D	D	D	D
45° Mounting							●						●			
Recessed – For Miter Grooves					F	G			F	G	F	G				
Rough-in – For Walls & Ceilings	A/B	A	A	A												
Adjustable Mounting									●						●	
Outdoor Mounting																●
Flangeless			●	●	●		●	●	●		●		●	●	●	●
Flanged	●	●				●				●		●				
Lens Included									●	●	●	●	●			
Lensless														●	●	●
Lens – UV and Fire Rated up to 240F option	●	●	●		●	●	●	●								
Small Profile Depth – Diffused Light									●	●	●	●	●	●	●	●
Medium Profile Depth – More Diffused Light					●	●	●	●								
Large Profile Depth – Best Diffused Light	●	●	●	●												
Aluminum – Anodized	●	●	●	●	●	●	●	●	●	●	●	●	●	●	●	●
6 Ft. Length									●	●	●	●	●	●	●	●
6-1/2 Ft. Length (2 meters)	●	●	●	●	●	●	●	●								

SUGGESTED MOUNTING TECHNIQUES

A Drywall Recessed Rough-In Mounting with Channel Housing



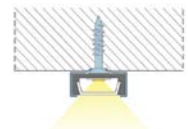
B Drywall Recessed Rough-In Mounting with Spring Clip



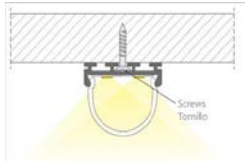
C Surface Mounting onto Drywall or Drop Ceilings



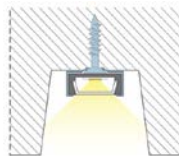
D Surface Mounting with Bracket



E Surface mounting by Sliding onto Flat Head Screws



F Recessed Mounting into Mitered Groove with Bracket



G Recessed Mounting into a Mitered Groove using a flanged Channel

