



# DL-FLEX2-RGBWW

LED FLEXIBLE LINEAR  
LED RGBWW SERIES

Type	
Project	
Catalog No.	



## DESCRIPTION

DL-FLEX2-RGBWW is JESCO Lighting's RGBWW tape utilizing the new 3535 RGB LEDs and two tiny 2216 LEDs. The warm white LED has a CCT of 3000K while the cool white LED has a CCT of 6500K. The smaller LEDs allow a high LED density per foot to be achieved. 54 LEDs per foot results in a uniform light output allowing designers unparalleled freedom to achieve their desired look. Sold by the reel. The tape is controllable with JESCO's new RGBWW controllers. Standard mounting with hi-bond adhesive tape. Also can be mounted using channels or mounting clips.

## FEATURES

- Tiny 2216 LEDs and 3535 RGB LEDs
- High LED density of 54 LEDs/ft results in uniform light output
- Low power consumption, low heat output.
- Even, 120° light distribution
- Mounts with 3M hi-bond adhesive
- Low profile and flexible (for bends 90 degrees or tighter do so at the cutting mark)
- Suitable for use in closet applications when installed with channel and lens in accordance to NEC code

## SPECIFICATIONS

Beam Angle	120°
Input Voltage	24V DC
Wattage/ft	4.69W
Lumens/ft	289 lm
Efficacy	61.6 lm/W
Lamp Life	50,000 hours
Dimensions	1/2"W x 3/16"H (12mm W x 3.5mm H)
LEDs/ft	54
Operating Temperature *	-4°F to 104°F
Max Run †	16.4 ft
Min Run †	3-15/16"
Environment	Indoor-Dry
Certifications	
Warranty	5 Years – see published warranty terms for detailed information.

## APPLICATIONS

- Cove, soffit, and accent lighting
- Path, contour, and edge lighting
- Display, and back lighting
- Under-shelf and under-cabinet lighting

\* Exceeding the operating temperature values may damage the LEDs by reducing the lifespan, lumen output, adversely impact color consistency, and void the warranty. It is recommended adequate airflow and heat sinking be taken into consideration in the installation and application of this product. Improper thermal management may lead to premature product failure.

† Single runs can not exceed max run lengths. Cuts can only be made on the cutting mark. Cut pieces cannot be joined.

## DIMENSIONS



www.jescolighting.com  
support@jescolighting.com  
Tech Support: 855.592.0029

15 Harbor Park Drive  
Port Washington, NY 11050  
Main Line: 800.527.7796  
Fax Line: 855.265.5768

219 South 6<sup>th</sup> Ave  
City of Industry, CA 91746  
Main Line: 855.654.0110  
Fax Line: 626.333.2955

9/20/2018

Specifications subject to change without notice.



# DL-FLEX2-RGBWW

LED FLEXIBLE LINEAR  
LED RGBWW SERIES

Type	
Project	
Catalog No.	

## ORDERING INFORMATION

### Ordered by the Reel:


SERIES - MODEL - REEL

DL-FLEX2 - RGBWW - 16FT

16FT : 16.4 Ft. Roll

Each 16.4ft reel includes 2 input Hardwire power connectors pre-assembled to both ends of the roll.

## MOUNTING ACCESSORIES

	<b>DL-FLEX2-MC-12</b> Mounting Clips for the 12mm wide PCB
---	---

## POWER SUPPLIES – See Specification Sheets for more information.

24V Hard-Wire Power Supplies UL Listed	
Model Number	Wattage
DL-PS-20/24-HWA	20
DL-PS-60/24-HWA	60
DL-PS-96/24-HWA	96

24V Hard-Wire Power Supplies in Junction Box UL Listed (with Junction Box)	
Model Number	Wattage
DL-PS-20/24-JBA	20
DL-PS-60/24-JBA	60
DL-PS-96/24-JBA	96

24V Hard-Wire Outdoor Power Supplies UL Listed (with Junction Box)	
Model Number	Wattage
DL-PS-80/24-JB-OD	80
DL-PS-96/24-JB-OD	96

24V Plug and Play Power Supplies UL Listed	
Model Number	Wattage
DL-PS-WP24/24	24
DL-PS-24/24	24
DL-PS-48/24	48
DL-PS-60/24	60
DL-PS-100/24	90
DL-PS-100/24-CL2 *	96

\* Class 2






# DL-FLEX2-RGBWW

LED FLEXIBLE LINEAR  
LED RGBWW SERIES

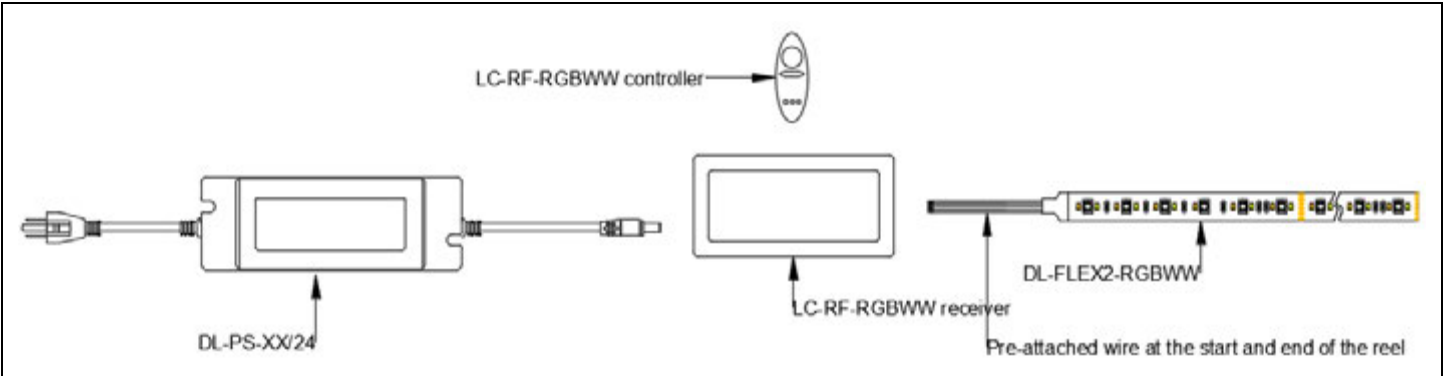
Type	
Project	
Catalog No.	

## CONTROLLERS

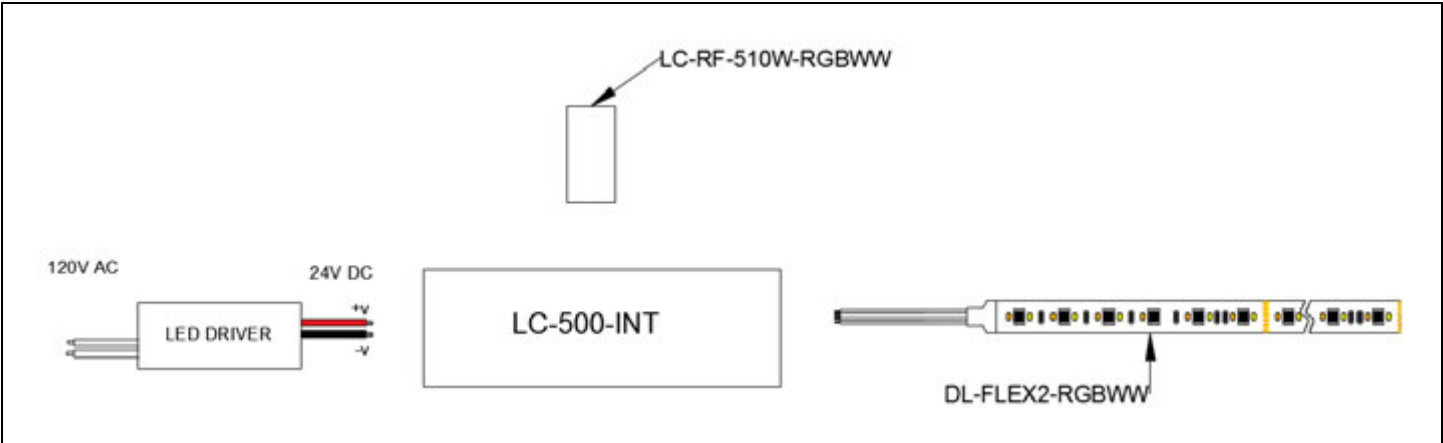
	<p><b>LC-RF-RGBWW</b> Receiver Dims: 3 5/16" L x 1 3/4" W x 7/8" H Input: 12-24V DC Working Frequency: 2.4 GHz Max Output: 240 Watts max 144W max per channel 6A max per channel 10A max total Remote Distance: 98.4' max</p>		<p><b>LC-RF-510W-RGBWW</b> Dims: 4 11/16" L x 2 15/16" W Operating Voltage: 12-24V DC Working Frequency: 916.5 MHz Remote Distance: 100ft. max</p>
	<p><b>LC-500-INT</b> Receiver Dims: 6 11/16" L x 2 5/16" W x 1 1/8" H Input: 12-24V DC Channels: 5 Output: 960 Watts max 60W-180W per channel 5A max per channel</p>		

## WIRING DIAGRAMS

### Basic RGBWW controller



### Advanced RGBWW controller





# DL-FLEX2-RGBWW

LED FLEXIBLE LINEAR  
LED RGBWW SERIES

Type	
Project	
Catalog No.	

## CHANNEL FEATURE MATRIX

	ROUGH-IN				MEDIUM DEPTH PROFILE					SMALL DEPTH PROFILE					BASIC		
	CH-RI-11	CH-RI-12	CH-RI-13	CH-RI-14	CH-ME-21	CH-ME-22	CH-ME-23	CH-ME-24	CH-ME-25	CH-SM-31	CH-SM-32	CH-SM-33	CH-SM-34	CH-SM-35	DL-FLEX-CH6	DL-FLEX-CH6-B	DL-FLEX-OD-CH6
DL-FLEX2-FS	●	●	●	●	●	●	●	●	●	●	●	●	●	●		●	●
DL-FLEX2-FS w/ connectors	●	●	●	●	●	●	●	●	●	●	●	●	●	●		●	●
DL-FLEX2-SC	●	●	●	●	●	●	●	●	●	●	●	●	●	●		●	●
DL-FLEX2-SC w/ connectors	●	●	●	●	●	●	●	●	●	●	●	●	●	●		●	●
DL-FLEX2-SHD	●	●	●	●	●	●	●	●	●	●	●	●	●	●		●	●
DL-FLEX2-SHD w/ connectors	●	●	●	●	●	●	●	●	●	●	●	●	●	●		●	●
DL-FLEX2-SHO	●	●	●	●	●	●	●	●	●	●	●	●	●	●		●	●
DL-FLEX2-SHO w/ connectors	●	●	●	●	●	●	●	●	●	●	●	●	●	●		●	●
DL-FLEX2-RGB-HD	●	●	●	●	●	●	●	●	●	●	●	●	●	●		●	●
DL-FLEX2-RGB-HD w/ connectors	●	●	●	●	●	●	●	●	●	●	●	●	●	●		●	●
DL-FLEX2-RGBWW	●	●	●	●						●	●	●	●	●		●	●
DL-FLEX2-RGBWW w/ connectors	●	●	●	●						●	●	●	●	●		●	●
DL-FLEX2-RGBWW	●	●	●	●						●	●	●	●	●		●	●
Surface Mounting			C	C/E	D		D	D	D	D		D		D	D	D	D
45° Mounting								●						●			
Recessed – For Miter Grooves					F	G				F	G	F	G				
Rough-in – For Walls & Ceilings	A/B	A	A	A													
Adjustable Mounting										●						●	
Outdoor Mounting																	●
Flangeless			●	●	●		●	●	●	●		●		●	●	●	●
Flanged	●	●				●					●	●	●				
Lens Included										●	●	●	●	●			
Lensless															●	●	●
Lens – UV and Fire Rated up to 240F option	●	●	●		●	●	●	●	●								
Small Profile Depth – Diffused Light										●	●	●	●	●	●	●	●
Medium Profile Depth – More Diffused Light					●	●	●	●	●								
Large Profile Depth – Best Diffused Light	●	●	●	●													
Aluminum – Anodized	●	●	●	●	●	●		●	●	●	●	●	●	●	●	●	●
MDF (easy paintable)								●									
6 Ft. Length										●	●	●	●	●	●	●	●
6-1/2 Ft. Length (2 meters)	●	●	●	●	●	●	●	●	●								

## SUGGESTED MOUNTING TECHNIQUES

**A** Drywall Recessed Rough-In Mounting with Channel Housing

**B** Drywall Recessed Rough-In Mounting with Spring Clip

**C** Surface Mounting onto Drywall or Drop Ceilings

**D** Surface Mounting with Bracket

**E** Surface mounting by Sliding onto Flat Head Screws

**F** Recessed Mounting into Mitered Groove with Bracket

**G** Recessed Mounting into a Mitered Groove using a flanged Channel



www.jescolighting.com  
support@jescolighting.com  
Tech Support: 855.592.0029

15 Harbor Park Drive  
Port Washington, NY 11050  
Main Line: 800.527.7796  
Fax Line: 855.265.5768

219 South 6<sup>th</sup> Ave  
City of Industry, CA 91746  
Main Line: 855.654.0110  
Fax Line: 626.333.2955

9/20/2018

Specifications subject to change without notice.