



DL-FLEX2-TILE-2412-60W-RGB

FLEXTILE™
24" X 12" RGB Flexible LED Sheet

Type	
Project	
Catalog No.	



DESCRIPTION

JESCO Lighting's RGB FLEXTILE™ is a fully modular color changing flexible LED sheet to backlight displays, light boxes, showcases, billboards, letters, logos; translucent materials such as acrylic, stone, and glass; or used as a photographic light. High LED density with 288 LEDs per 24" L x 12" W sheet allows for very close placement of translucent materials thereby saving space and eliminating concerns of hotspots.

The RGB FLEXTILE™ can be cut into 6" x 2" blocks of 12 LEDs. Using a JESCO RGB or DMX controller, the Red, Green and Blue LEDs can be blended and mixed together to achieve millions of colors.

3M® double sided adhesive tape at the back allows for easy installation on straight or curved surfaces. The sheet can also be mounted with nails or a staple gun through the marked circular areas between the cuttable sections. Hardwire power cords and connecting cables are available. Simply insert into one of the 12 on-board connectors for power or for board-to-board linking. Wires can also be soldered onto the the 4 directional solder pads found on each cuttable section.

SPECIFICATIONS

Voltage	24V DC
LED Pitch	1" x 1"
LEDs / Sheet	288
Ambient Operating Temperature*	-4°F to 113°F
Beam Angle	120°
Lamp Life	50,000 hours
Dimensions	24"L x 12"W x 3/8"H**
IP Rating**	Indoor - Dry***
Certifications	
Warranty	5 Years – see published warranty terms for detailed information.

* Exceeding the ambient operating temperature values may damage the LEDs by reducing the lifespan, lumen output, and adversely impact color consistency. It is recommended adequate airflow and heatsinking be taken into consideration in the installation and application of this product. Improper thermal management may lead to premature product failure and void the warranty

**LED height is 1/16", connector height is 3/8"

***Damp and wet location options available. Contact factory for details.

LUMEN DATA

Wattage/Sheet	Colors	Lumen Output/Sheet
60W	White	2244 lm
	Red (615-625nm)	693 lm
	Green (515-525nm)	1281 lm
	Blue (460-470nm)	324 lm

FEATURES

- Controllable with a JESCO Lighting's wide variety of RGB controllers
- Cuttable into 6" x 2" blocks of 12 LEDs
- A very high LED density - 288 LEDs per 24"x12" sheet (LED pitch of 1") - allowing for very close placement behind translucent materials thereby saving space and eliminating hotspots
- 2oz. PCB thickness for optimal thermal management
- Low-profile and flexible
- Easy installation with 3M™ adhesive tape or using nails or staples at the designated areas on the sheet
- No ultra violet (UV/IR) radiation, no mercury

APPLICATIONS

- Backlighting
- Lightboxes
- Showcases
- Billboards
- Letters and logos
- Translucent materials such as acrylic, stone, and glass
- Photographic light
- Architectural entrance facade
- Luminous ceilings and walls
- Curved applications
- Retail Application
- Architectural lighting



www.jescolighting.com
support@jescolighting.com
Tech Support: 855.592.0029

15 Harbor Park Drive
Port Washington, NY 11050
Main Line: 800.527.7796
Fax Line: 855.265.5768

219 South 6th Ave
City of Industry, CA 91746
Main Line: 855.654.0110
Fax Line: 626.333.2955

1/30/2020

Specifications subject to change without notice.

Page 1 of 8



DL-FLEX2-TILE-2412-60W-RGB

FLEXITILE™
24" X 12" RGB Flexible LED Sheet

Type	
Project	
Catalog No.	

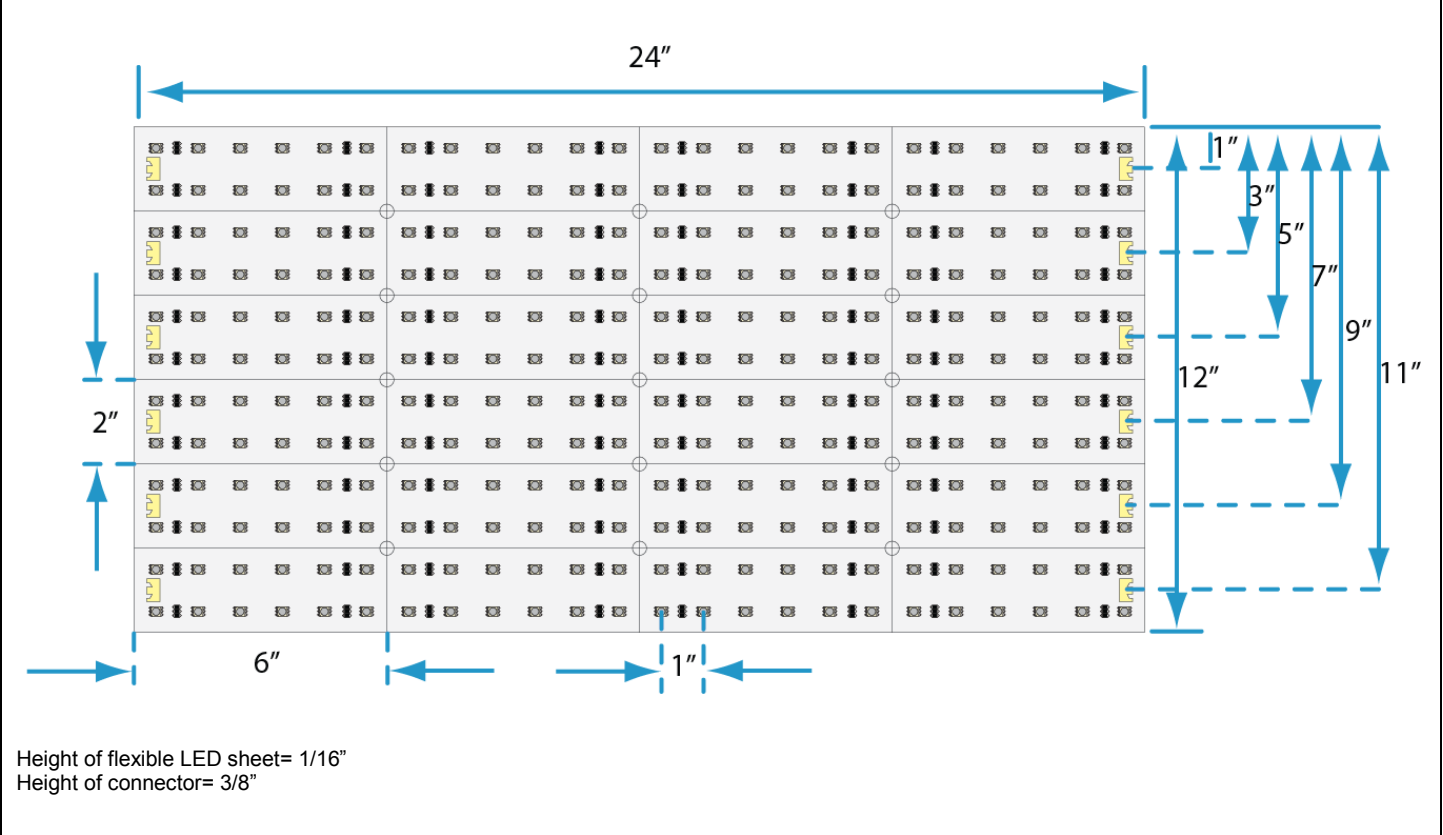
ORDERING INFORMATION

MODEL DL-FLEX2-TILE	-	SIZE 2412 2412 – 24"L x 12"W	-	WATTAGE 60W 60W – 60W	-	COLOR RGB RGB – RGB
-------------------------------	---	---	---	------------------------------------	---	----------------------------------

Example : DL-FLEX2-TILE-2412-60W-RGB

NOTE: Damp and wet location options also available. Contact factory for details.

DIMENSIONS



WIRING ACCESSORIES

	DL-FLEX2-TILE-RGB-PC-HW-12 Hardwire power cord. 12" cable length.		DL-FLEX2-TILE-RGB-CC03 Connecting cable with 3" wire. Can be used to daisy-chain multiple FLEXITILE sheets
	DL-FLEX2-TILE-RGB-CC12 Connecting cable with 12" wire. Can be used to daisy-chain multiple FLEXITILE sheets		

Wires may also be directly soldered onto the four-directional solder pads found around each LED



www.jescolighting.com
support@jescolighting.com
Tech Support: 855.592.0029

15 Harbor Park Drive
Port Washington, NY 11050
Main Line: 800.527.7796
Fax Line: 855.265.5768

219 South 6th Ave
City of Industry, CA 91746
Main Line: 855.654.0110
Fax Line: 626.333.2955

1/30/2020

Specifications subject to change without notice.



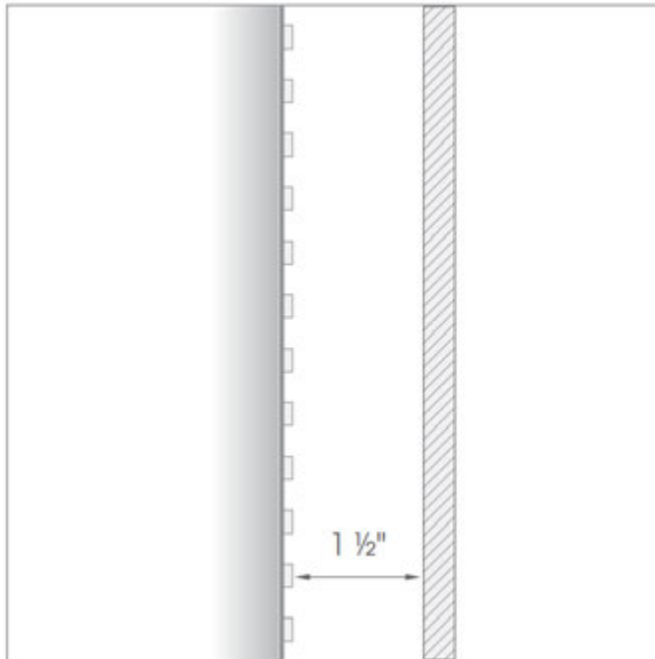
DL-FLEX2-TILE-2412-60W-RGB

FLEXIBLE™
24" X 12" RGB Flexible LED Sheet

Type	
Project	
Catalog No.	

UNIFORM ILLUMINATION

To ensure that the light appears uniform when transmitted through the illuminated material, a minimum spacing between the FLEXIBLE LED sheet and the illuminated material is required.



The RGB FLEXIBLE's 1" pitch of LEDs allows you to save space. For reference, a 1/8" 2447 acrylic lens may be backlit with a very tight 1 1/2" spacing between the LED sheet and the translucent acrylic in front with no hotspots.

NOTE: The minimum distance is dependent upon the light transmission properties of the illuminated material and the thickness of the material.



DL-FLEX2-TILE-2412-60W-RGB

FLEXITILE™
24" X 12" RGB Flexible LED Sheet

Type	
Project	
Catalog No.	

POWER SUPPLIES

24V Plug and Play Power Supplies UL Listed	
Model Number	Wattage
DL-PS-WP24/24	24
DL-PS-24/24	24
DL-PS-48/24	48
DL-PS-60/24	60
DL-PS-60/24-CL2*	60
DL-PS-90/24-CL2*	90
DL-PS-100/24-CL2*	96

* Class 2

24V Hard-Wire Power Supplies in Junction Box UL Listed. Class 2	
Model Number	Wattage
DL-PS-20/24-JBA	20
DL-PS-60/24-JBA	60
DL-PS-96/24-JBA	96

24V Hard-Wire Power Supplies UL Recognized. Class 2	
Model Number	Wattage
DL-PS-20/24-HWA	20
DL-PS-60/24-HWA	60
DL-PS-96/24-HWA	96

NOTE: UL Recognized drivers must be installed in a UL Listed junction box

RADIO FREQUENCY CONTROLLERS

	<p>LC-RF-400-RCV RF Receiver (Needs separate controller) Dims: 7 1/16" L x 1 13/16" W x 3/4" H Input: 12-24V DC Channels: 4 Output: 384 Watts max 96W max per channel 5A max per channel</p>		<p>LC-RF-400H-RGB Handheld RF Controller (Works with LC-RF-400-RCV) Remote Dims: 4 3/4" L x 2 3/16" W x 1 1/16" H Operating Voltage: 3 x AAA batteries Working Frequency: 434 MHz Remote Distance: 100ft. max (Batteries not included)</p>
	<p>LC-RF-410W-RGB Wall-mount RF Controller (Works with LC-RF-400-RCV) Dims: 4 3/4" L x 2 15/16" W Operating Voltage: 12-24V DC Working Frequency: 434 MHz Remote Distance: 100ft. max (Power supply not included)</p>		<p>LC-RF-300 RF receiver with handheld RF Controller Receiver Dims: 4-1/2"L x 2-1/4"W x 3/4"H Receiver Input: 12-24V DC Controller Input: 3 x AAA batteries Max Output of receiver: 432 Watts max Remote Distance: 30ft. max 6A max per channel (Batteries not included for controller)</p>

INFRARED CONTROLLERS

	<p>LC-RF-400-RCV IR receiver with handheld IR Controller Dims: 7 1/16" L x 1 13/16" W x 3/4" H Input: 12-24V DC Channels: 4 Output: 384 Watts max 96W max per channel 5A max per channel</p>
--	---

DMX CONTROLLERS AND ACCESSORIES

PART NUMBER	DESCRIPTION
LC-PC-100	Simple DMX Controller
LC-PC-400	Advanced DMX Controller
LC-PC-500	Advanced DMX Controller
LC-200-RPT	Power Repeater
LC-200-INT	DMX Interface
LC-300-INT	Addressable DMX Interface for RGBW, RGB and CTA
LC-DMX-AMP1	1-Port DMX Distributor Amplifier
LC-DMX-AMP2	2-Port DMX Distributor Amplifier



www.jescolighting.com
support@jescolighting.com
Tech Support: 855.592.0029

15 Harbor Park Drive
Port Washington, NY 11050
Main Line: 800.527.7796
Fax Line: 855.265.5768

219 South 6th Ave
City of Industry, CA 91746
Main Line: 855.654.0110
Fax Line: 626.333.2955

1/30/2020

Specifications subject to change without notice.



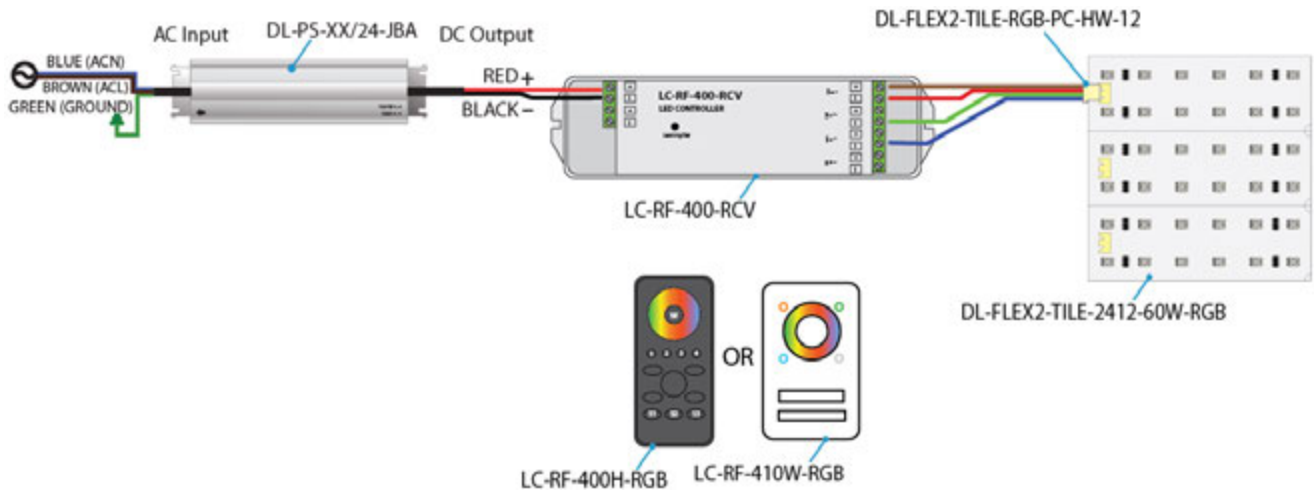
DL-FLEX2-TILE-2412-60W-RGB

FLEXITILE™
24" X 12" RGB Flexible LED Sheet

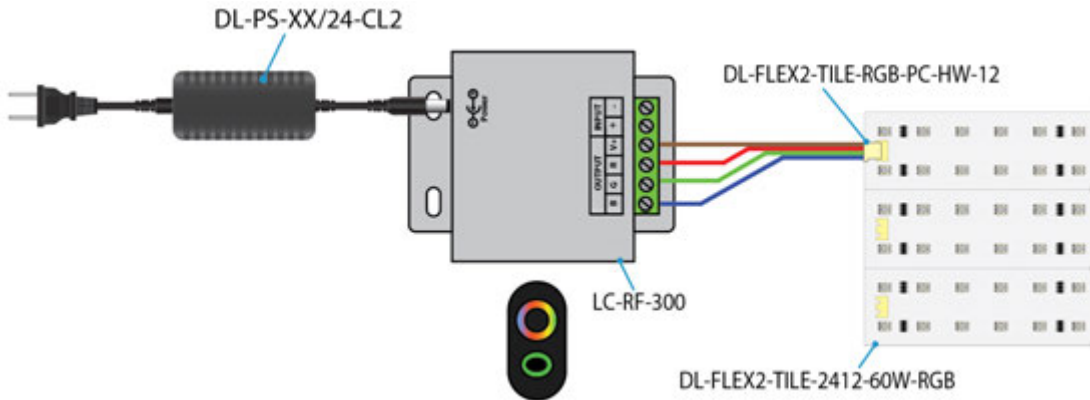
Type	
Project	
Catalog No.	

WIRING DIAGRAMS

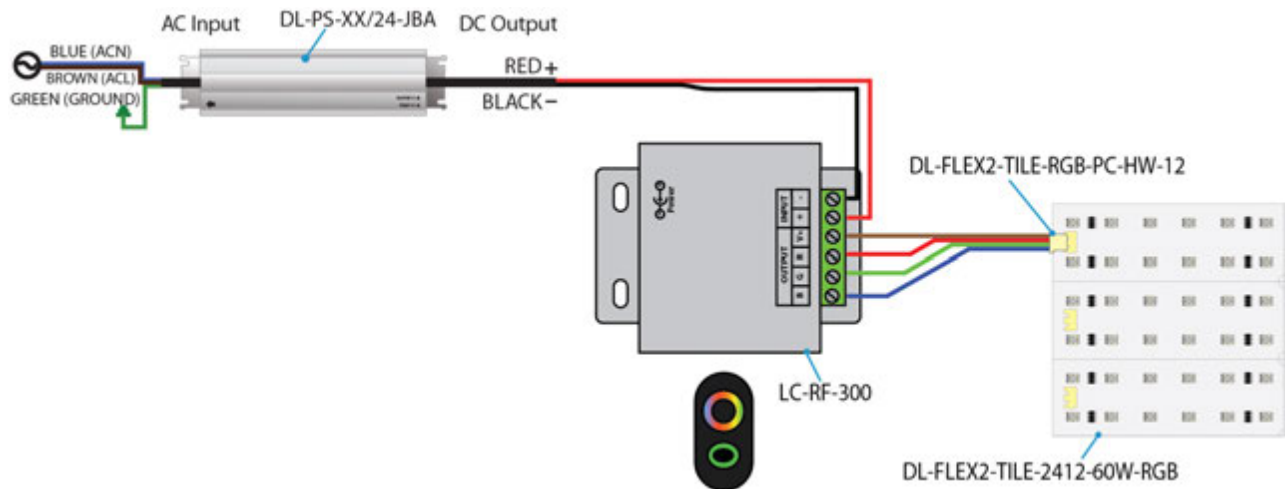
RADIO FREQUENCY – With LC-RF-400-RCV and LC-RF-400H-RGB/LC-RF-410W-RGB



RADIO FREQUENCY – With LC-RF-300 (Plug and Play connection)



RADIO FREQUENCY – With LC-RF-300 (Hardwire connection)



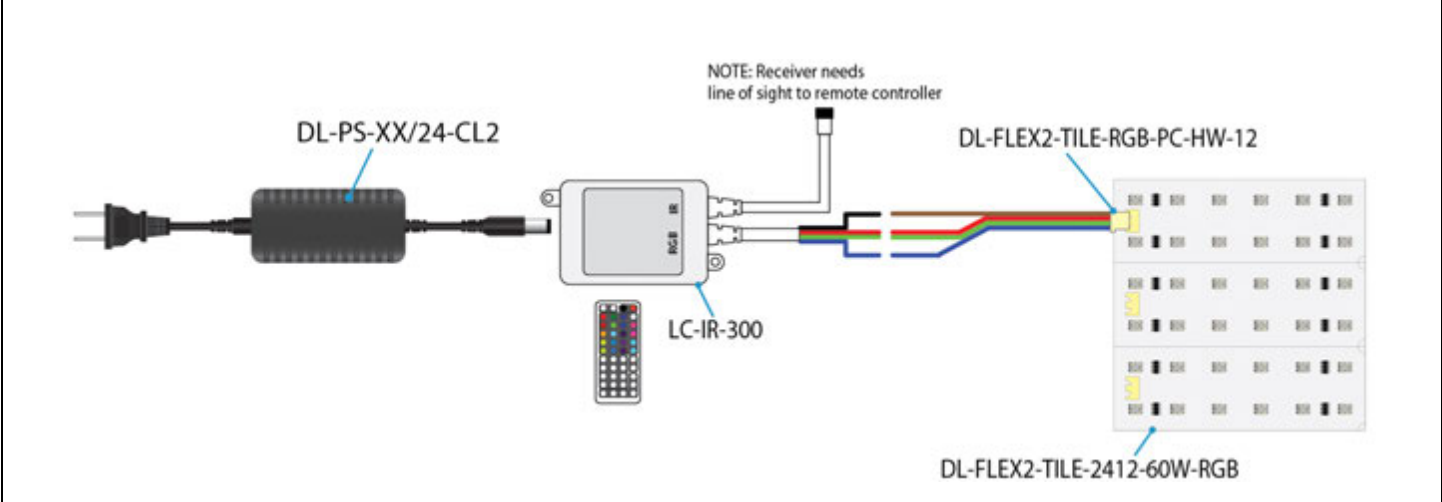


DL-FLEX2-TILE-2412-60W-RGB

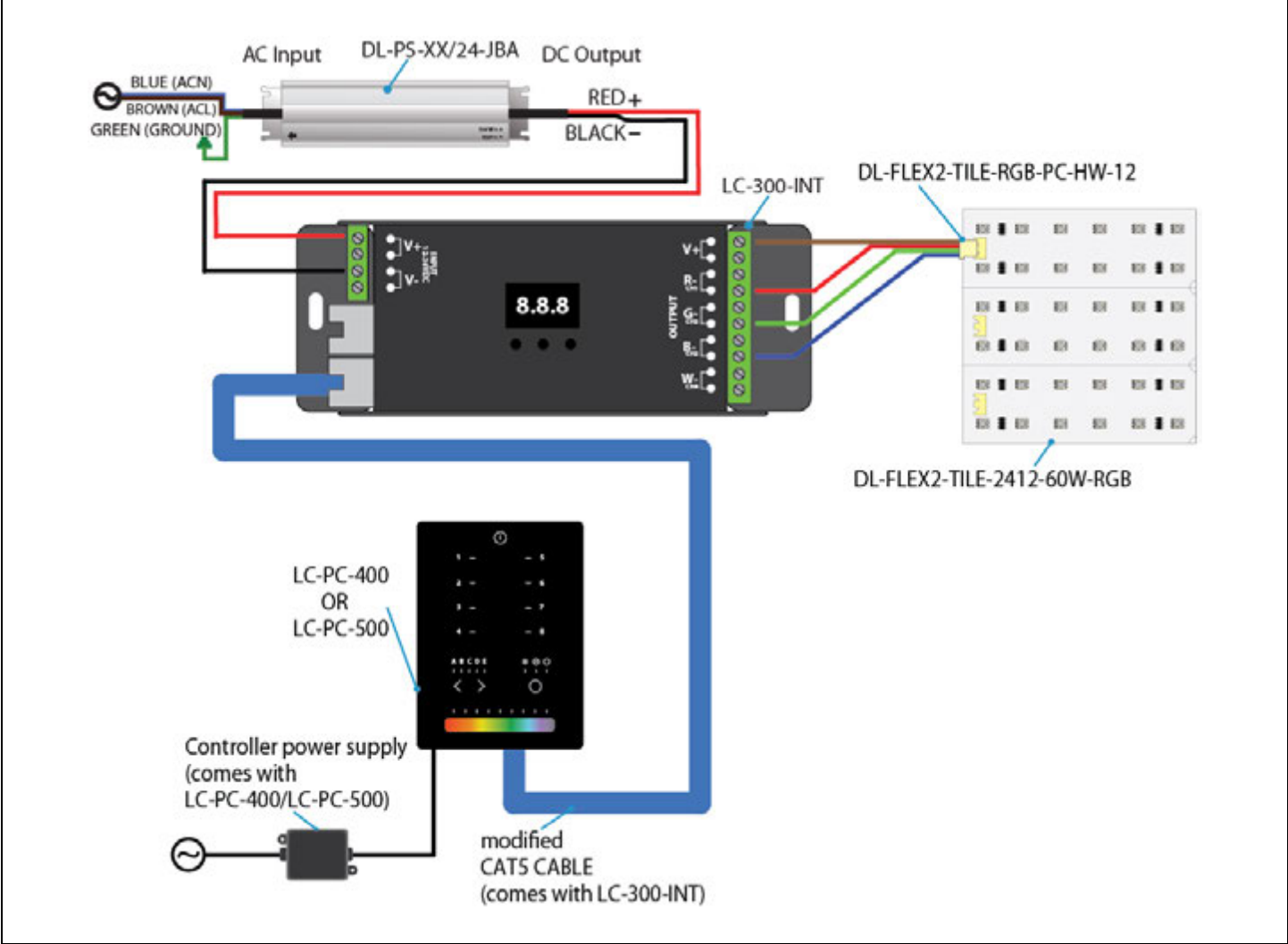
FLEXITILE™
24" X 12" RGB Flexible LED Sheet

Type	
Project	
Catalog No.	

INFRARED – With LC-IR-300



DMX – With LC-300-INT interface and LC-PC-400/LC-PC-500 Controller



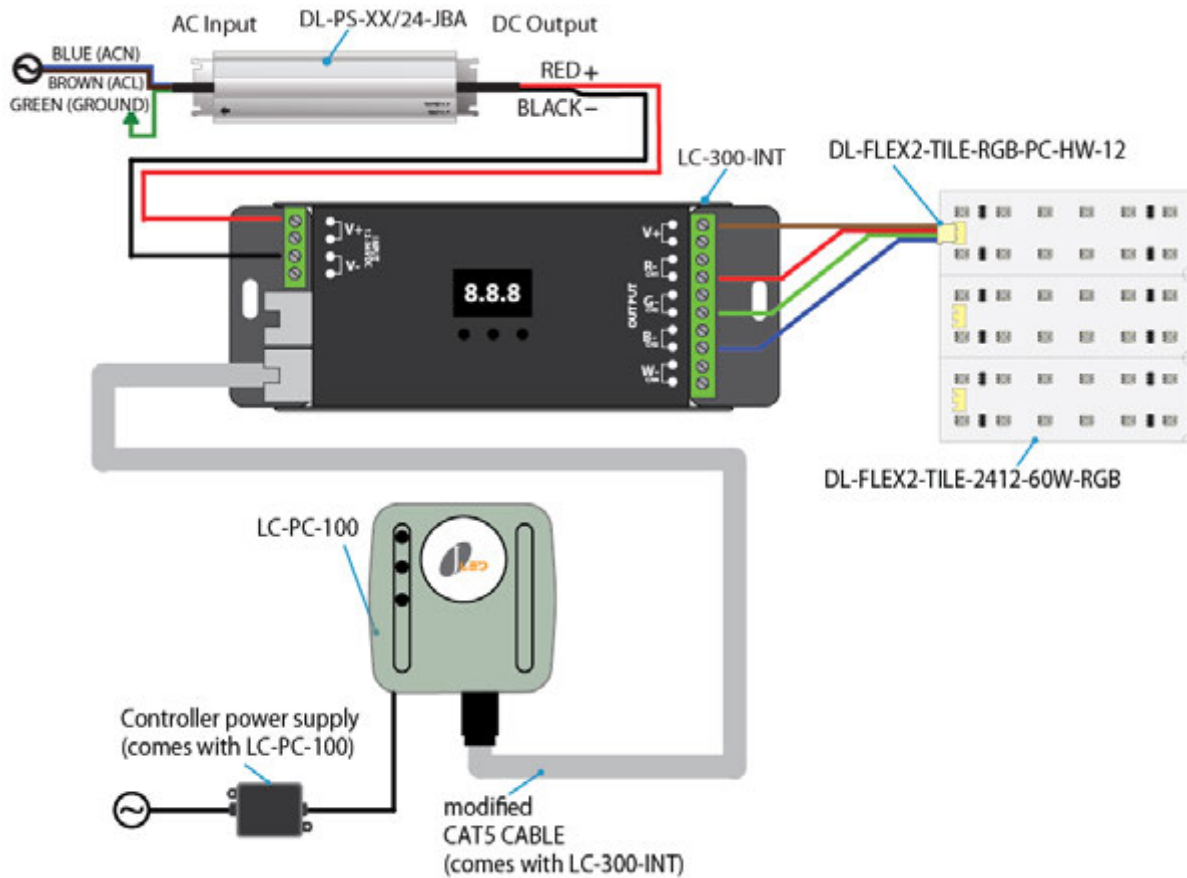


DL-FLEX2-TILE-2412-60W-RGB

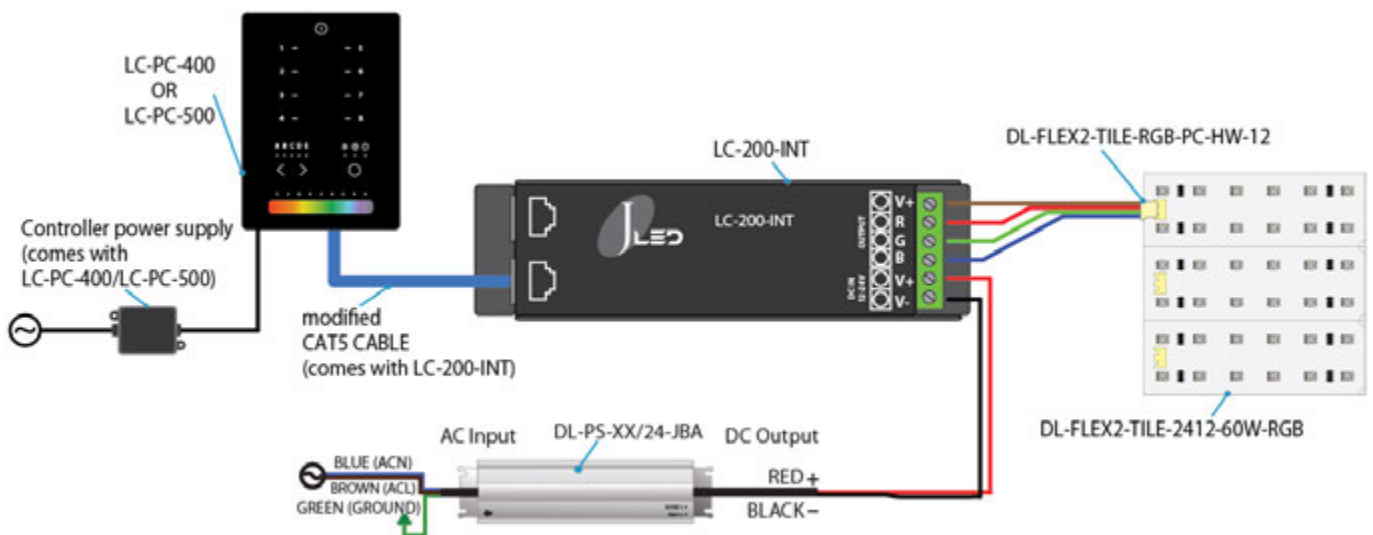
FLEXITILE™
24" X 12" RGB Flexible LED Sheet

Type	
Project	
Catalog No.	

DMX – With LC-300-INT interface and LC-PC-100 Controller



DMX – With LC-200-INT interface and LC-PC-400/LC-PC-500 Controller





DL-FLEX2-TILE-2412-60W-RGB

FLEXIBLE™
24" X 12" RGB Flexible LED Sheet

Type	
Project	
Catalog No.	

DMX – With LC-200-INT interface and LC-PC-100 Controller

