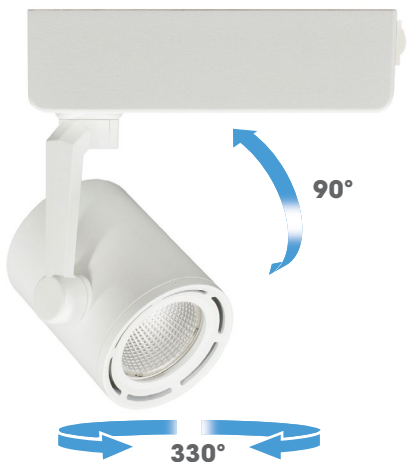


L516S

120V LED SPOT TRACKHEAD
TRACK LIGHTING • SMALL



Fixture Type
Project
Notes



The **L516S** series is line voltage LED track fixture suitable for retail, commercial and hospitality general lighting, accent and display applications. The series features an adjustable 90° vertical head rotation and a 330° horizontal rotation. Made with a complete die-cast construction, no exposed wiring and powder coat paint. It provides electrical and mechanical connection to track. With 5% refer to recommended dimmers list TRIAC (forward-phase or leading edge), and ELV (reverse-phase or trailing-edge). And a passive thermal management provides silent operation to yield over 70% lumen maintenance for a minimum of 50,000 operation hours in 25°C (77°F) ambient.



SPECIFICATIONS

INPUT VOLTAGE	120V AC
WATTAGE	18 W
EFFICACY	78 Lm/W
LUMENS	1400 Lm @ 3000K 80CRI
CCT/CRI	80 (2700K, 3000K, 3500K, 4000K) 90 (2700K, 3000K, 4000K) 97 (2700K, 3000K)
BEAM ANGLE	Narrow 25°, Medium 40°, Wide 55°
DIMMING ¹	TRIAC & ELV Dimming
DIMENSIONS	2 3/4" Ø x 3 3/8" L x 7 1/4" Ext. (70 Ø x 86 x 184 mm)

HORIZONTAL AIM	330°
VERTICAL AIM	90°
ENVIRONMENT	Indoor - Dry
CERTIFICATIONS	cETLus
LUMEN MAINTENANCE	50,000 hours
WARRANTY ²	5 years

¹ 5%, refer to recommended dimmers list TRIAC (forward-phase or leading edge), ELV (reverse-phase or trailing-edge)
² See published warranty terms for detailed information

ORDERING INFO

SYSTEM	SERIES	CCT / CRI	FINISH
H2 - H1 or H2 track ¹	L516S		
J2 - J1 or J2 track ²	L516S - 2 3/4" Ø	2780 - 2700K / 80 CRI 3080 - 3000K / 80 CRI 3580 - 3500K / 80 CRI 4080 - 4000K / 80 CRI 2790 - 2700K / 90 CRI 3090 - 3000K / 90 CRI 4090 - 4000K / 90 CRI 2797 - 2700K / 97 CRI* 3097 - 3000K / 97 CRI*	B - Black W - White
L2 - L1 or L2 track ³			

* Contact factory for details
¹ JESCO J, J1, J2 Track or Juno Track-Master. Juno is registered Trademark of Juno Lighting.
² JESCO H, H1 Track or Halo Power-Track. Halo is registered Trademark of Cooper Lighting.
³ JESCO L Track or Lightolier Lytespan Track. Lightolier is registered Trademark of Phillips Lighting.

REFLECTORS (REQUIRED)

Reflector determines beam angle and must be selected.
Order separately.

MODEL	ANGLE
RFL516S	-
	SP - Narrow 25° FL - Medium 40° WF - Wide 55°

GLARE CONTROL (OPTIONAL)

Order separately. Field Installed.

OPTIONAL SNOOT	OPTIONAL BARN DOOR	OPTIONAL HEXCELL LOUVER LENS
MODEL L516SSNT	MODEL BD072	MODEL LENS-49MM-HEX
FINISH B - Black W - White		

L516S

120V LED SPOT TRACKHEAD
TRACK LIGHTING • SMALL



Fixture Type
Project
Notes

COLOR CODE SELECTION DATA

CCT	CRI	COLOR CODE
2700K	80	2780
	90	2790
	97	2797

CCT	CRI	COLOR CODE
3000K	80	3080*
	90	3090
	97	3097

CCT	CRI	COLOR CODE
3500K	80	3580

CCT	CRI	COLOR CODE
4000K	80	4080*
	90	4090

* QUICK SHIP

APPLICATION DATA

CCT Correction Factor

CCT	CRI	FACTOR
2700K	80	0.95
	90	0.74
	97	0.52

CCT	CRI	FACTOR
3000K	80	1.00
	90	0.78
	97	0.58

CCT	CRI	FACTOR
3500K	80	1.03

CCT	CRI	FACTOR
4000K	80	1.04
	90	0.88

Notes and Definitions:

Beam spread is to 50% center beam candlepower (CBCP).

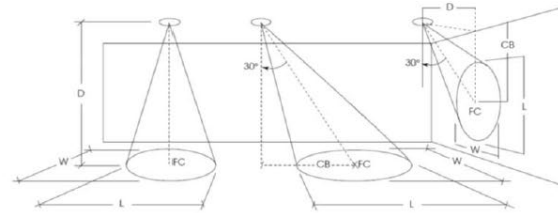
D = Distance to floor or wall.

FC = Footcandles on floor or wall at center beam aiming location.

L = Effective Visual Beam length in feet (50% of maximum footcandle level).

W = Effective Visual Beam width in feet (50% of maximum footcandle level).

CB = Distance across or down to center beam location.



	0° Aiming Angle Horizontal Footcandles				30° Aiming Angle Horizontal Footcandles					30° Aiming Angle Vertical Footcandles					60° Aiming Angle Vertical Footcandles				
	D	FC	L	W	D	FC	L	W	CB	D	FC	L	W	CB	D	FC	L	W	CB
NARROW 25° CBCP = 5786	5.0'	226	2.2	2.2	5.0'	150	3.0	2.6	2.9	3.0'	80	6.2	2.7	5.2	3.0'	418	1.8	1.5	1.7
	7.5'	100	3.3	3.3	7.5'	67	4.5	3.8	4.3	4.0'	45	8.3	3.5	6.9	4.0'	235	2.4	2.0	2.3
	10.0'	57	4.4	4.4	10.0'	38	6.0	5.1	5.8	5.0'	29	10.4	4.4	8.7	5.0'	150	3.0	2.6	2.9
	12.5'	36	5.5	5.5	12.5'	24	7.5	6.4	7.2	6.0'	20	12.5	5.3	10.4	6.0'	104	3.6	3.1	3.5
MEDIUM 40° CBCP = 3004	5.0'	119	3.8	3.8	5.0'	78	5.1	4.2	2.9	3.0'	42	14.5	4.4	5.2	3.0'	217	3.0	2.5	1.7
	7.5'	53	5.7	5.7	7.5'	35	7.6	6.3	4.3	4.0'	23	19.3	5.8	6.9	4.0'	122	4.1	3.4	2.3
	10.0'	30	7.6	7.6	10.0'	20	10.2	8.4	5.8	5.0'	15	24.2	7.3	8.7	5.0'	78	5.1	4.2	2.9
	12.5'	19	9.5	9.5	12.5'	12	12.7	10.5	7.2	6.0'	10	29.0	8.7	10.4	6.0'	54	6.1	5.0	3.5
WIDE 55° CBCP = 2049	5.0'	82	5.2	5.2	5.0'	53	7.6	6.0	2.9	3.0'	28	66.8	6.2	5.2	3.0'	148	4.6	3.6	1.7
	7.5'	36	7.9	7.9	7.5'	24	11.4	9.0	4.3	4.0'	16	89.1	8.3	6.9	4.0'	83	6.1	4.8	2.3
	10.0'	20	10.5	10.5	10.0'	13	15.3	12.0	5.8	5.0'	10	111.3	10.4	8.7	5.0'	53	7.6	6.0	2.9
	12.5'	13	13.1	13.1	12.5'	9	19.1	15.0	7.2	6.0'	7	133.6	12.5	10.4	6.0'	37	9.2	7.2	3.5

L516S

120V LED SPOT TRACKHEAD
TRACK LIGHTING • SMALL



Fixture Type
Project
Notes

ACCESSORIES

Optional, field installed



PART NUMBER	L516SSNT-(B or W)
DESCRIPTION	Optional Snoot for L516S Provides a full cut-off, more directional source of light
DIMENSIONS	2 5/8" Ø x 2" H

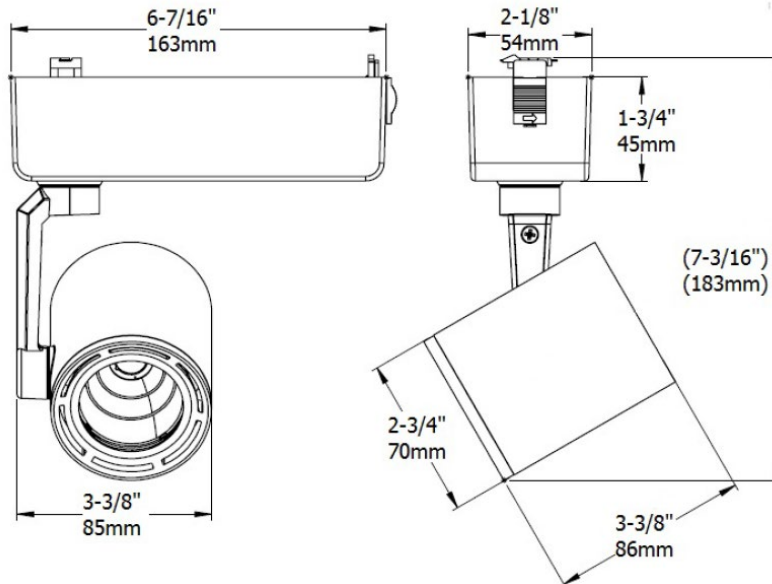


PART NUMBER	BD072
DESCRIPTION	Optional Barn Door for L516S Creates a theatrical look and control light.
DIMENSIONS	7 7/8" (200 mm) max opening. Accepts 2 3/4" (57 mm) filters, and/or loover.



PART NUMBER	LENS-49MM-HEX
DESCRIPTION	Optional Hexcell Louver Lens

TECHNICAL DRAWING



RECOMMENDED DIMMERS

COOPER¹	DLC03P, DAL06P, SLC03P
LUTRON²	S-603PG, DVCL-153P, DV-600P, TGCL-153P
LUTRON	SELV-300P, TG-600P, LG-600P, S-600P, MAELV-600, FAELV-500, DVELV-303P
LEVITON³	IPI06-1LZ, IPE04, VPE06, 6683-IW, 6161, 6633-P
LIGHTOLIER⁴	ZPE260QEW

Notes:

¹Cooper is a registered trademark of Eaton

²Lutron is a registered trademark of Lutron Electronics, Inc.

³Leviton is a registered trademark of Leviton Mfg. Co., Inc.

⁴Lightolier is a registered trademark of Philips Lighting.