

L562M

120V LED TRACK LUMINAIRE
SPOT TRACK LUMINAIRE



Fixture Type
Project
Notes



The **L562** series is a high-output LED track luminaire that features an adjustable head allowing the optimum positioning of light within a 90° vertical head rotation and a 330° horizontal rotation. It has a modern cylindrical design with no exposed wiring and no separate power supply housing. It is made from premium die-cast aluminum. Available in black or white finish and multiple optics for different beam angles.



120V AC



DIMMABLE



3SDCM



330°



90°



DRY INDOOR



L70 50,000 HOURS



5 YEAR WARRANTY



ETL US Intertek

SPECIFICATIONS

INPUT VOLTAGE	120V AC
WATTAGE	22 W
LUMENS	1900 Lm @4000K
CRI	90+
BEAM ANGLE	15°, 24°, 38°
DIMMING ¹	TRIAC Dimming
DIMENSIONS	3 1/4" Ø x 7 1/2" L (81.5 x 191 mm)
HORIZONTAL AIM	330°
VERTICAL AIM	90°
ENVIRONMENT	Indoor - Dry
CERTIFICATIONS	cETLus
LUMEN MAINTENANCE	50,000 hours
WARRANTY ²	5 years

¹ Effectively dim down to 10%

² See published warranty terms for detailed information

COLOR TEMPERATURE



2700K



3000K



4000K



5000K

Warm White

Neutral White

Cool White

ORDERING INFO

SYSTEM	SERIES	CCT / CRI	BEAM ANGLE	FINISH
H2 - H1 or H2 track	L562M - 3 1/4" Ø	2790 - 2700K / 90 CRI	15D - 15°	BK - Black
J2 - J1 or J2 track		3090 - 3000K / 90 CRI	24D - 24°	WH - White
L2 - L1 or L2 track		4090 - 4000K / 90 CRI	38D - 38°	
		5090 - 5000K / 90 CRI		

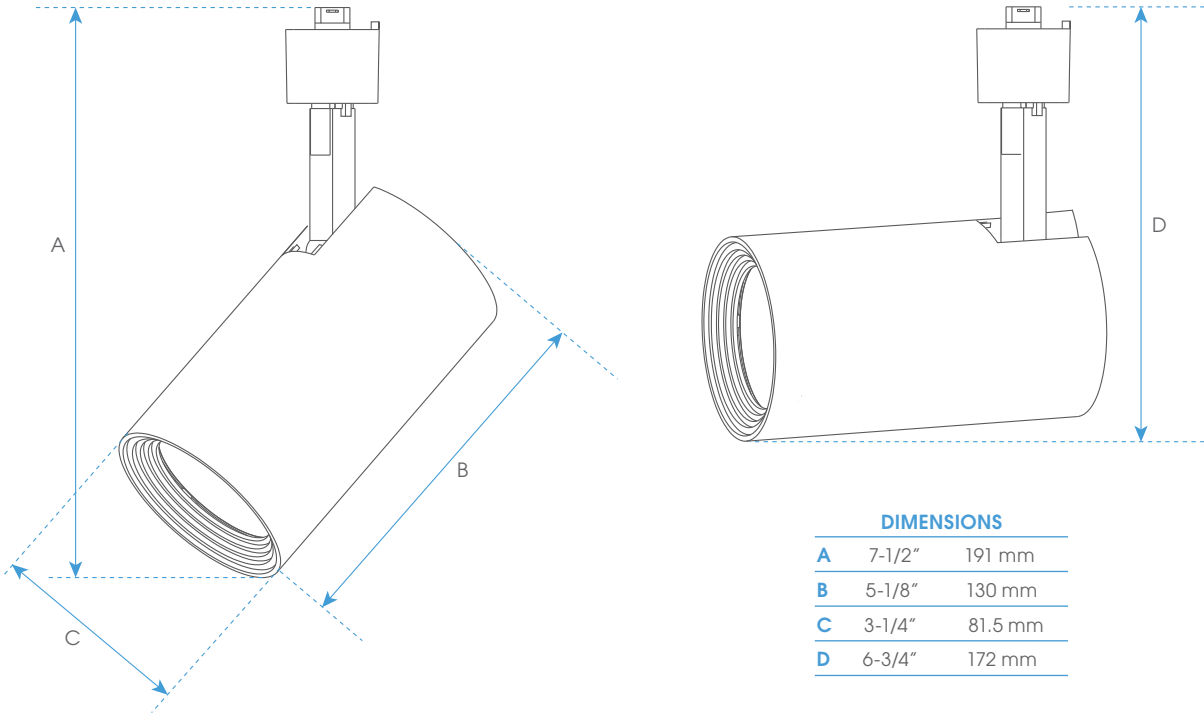
L562M

120V LED TRACK LUMINAIRE
SPOT TRACK LUMINAIRE



Fixture Type
Project
Notes

TECHNICAL DRAWING



COMPATIBLE DIMMERS

COOPER	SAL06P
LEVITON	6672, 6674, IPL06
LUTRON	TGCL-153PH, LGCL-153PH, MACL-153M, DVCL-153P, CTCL-153P
PASS & SEYMOUR	HCL453P