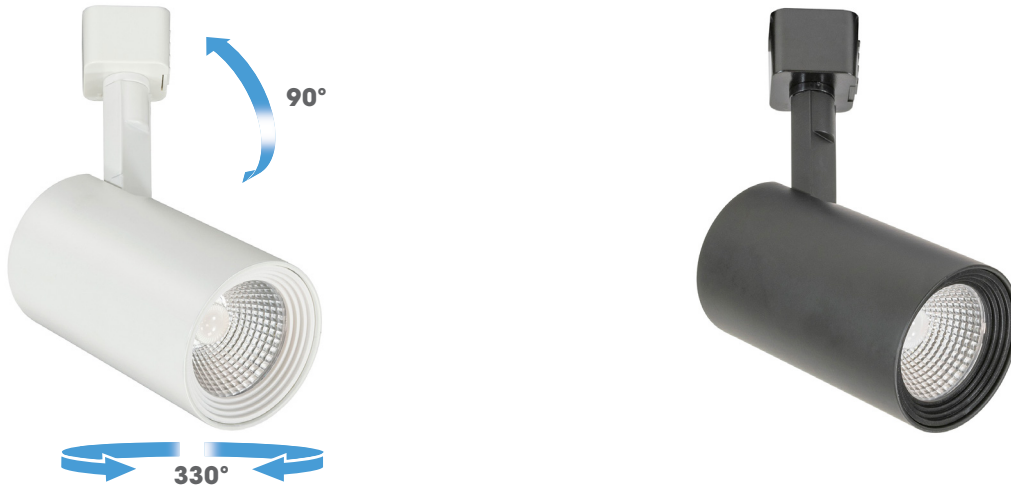


# L562S

120V LED CYLINDRICAL TRACKHEAD  
TRACK LIGHTING • SMALL



Fixture Type
Project
Notes



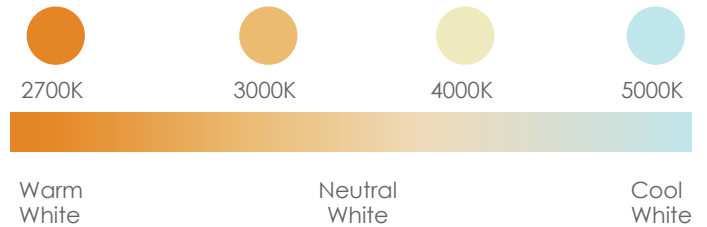
The **L562** series is a high-output LED track luminaire that features an adjustable head allowing the optimum positioning of light within a 90° vertical head rotation and a 330° horizontal rotation. It has a modern cylindrical design with no exposed wiring and no separate power supply housing. It is made from premium die-cast aluminum. Available in black or white finish and multiple optics for different beam angles.



## SPECIFICATIONS

INPUT VOLTAGE	120V AC
WATTAGE	12 W
LUMENS	840 Lm @4000K
CRI	90+
BEAM ANGLE	15°, 24°, 40°
DIMMING <sup>1</sup>	TRIAC Dimming
DIMENSIONS	2 1/2" Ø x 4 3/8" L x 7 1/2" Ext. (63.5 x 111 x 190 mm)
HORIZONTAL AIM	330°
VERTICAL AIM	90°
ENVIRONMENT	Indoor - Dry
CERTIFICATIONS	cETLus, California Title 24 JA8 Compliant
LUMEN MAINTENANCE	50,000 hours
WARRANTY <sup>2</sup>	5 years

## COLOR TEMPERATURE PHOTOMETRIC DATA



<sup>1</sup> Effectively dim down to 10%

<sup>2</sup> See published warranty terms for detailed information

## ORDERING INFO

SYSTEM	SERIES	CCT / CRI	BEAM ANGLE	FINISH
H2 - H1 or H2 track	L562S - 2 1/2" Ø	2790 - 2700K / 90 CRI	15D - 15°	BK - Black
J2 - J1 or J2 track		3090 - 3000K / 90 CRI	24D - 24°	WH - White
L2 - L1 or L2 track		3590 - 3500K / 90 CRI	40D - 40°	
		4090 - 4000K / 90 CRI		
		5090 - 5000K / 90 CRI		

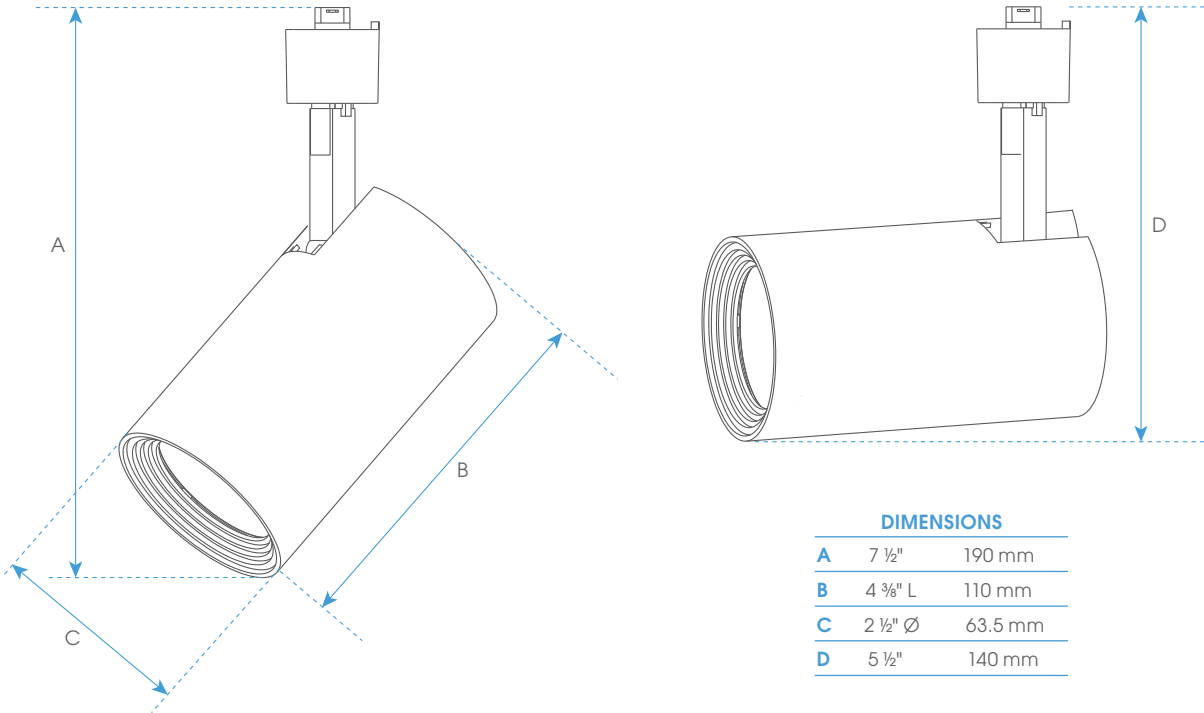
# L562S

120V LED CYLINDRICAL TRACKHEAD  
TRACK LIGHTING • SMALL



Fixture Type
Project
Notes

## TECHNICAL DRAWING



DIMENSIONS		
A	7 1/2"	190 mm
B	4 3/8" L	110 mm
C	2 1/2" Ø	63.5 mm
D	5 1/2"	140 mm

## COMPATIBLE DIMMERS

COOPER	SAL06P
LEVITON	6672, 6674, IPL06
LUTRON	TGCL-153PH, LGCL-153PH, MACL-153M, DVCL-153P, CTCL-153P
PASS & SEYMOUR	HCL453P