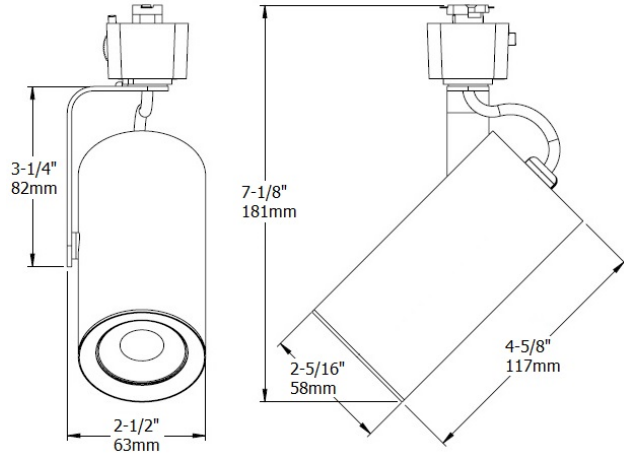
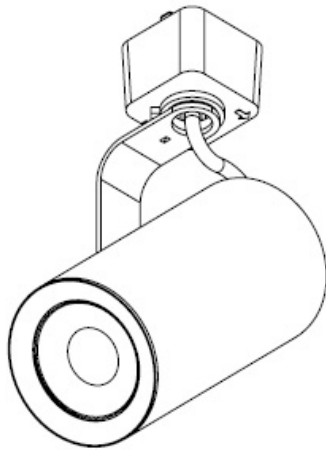




L611

120V LED TRACK LUMINAIRE

Type	
Project	
Catalog No.	



DESCRIPTION

Line voltage LED track fixture in a clean and compact design. Detailed yoke with smooth transition line. suitable for residential application or smaller spaces with low mounting height.

CONSTRUCTION

Die-cast aluminum housing.
Powder coat paint.
350° horizontal, ±90° vertical aim adjustment.

MOUNTING

Provides electrical and mechanical connection to single or two circuit track.

ELECTRICAL

Input 120VAC 50/60Hz
Input Power 10W
Efficacy 86 lm/W
Power Factor >0.9
Dimming Range^a 5% ~ 100% refer to recommended dimmers list
LE (leading edge or forward-phase)
TE (trailing edge or reverse-phase)

LED

CCT 3000K
CRI 90
Color Control 3-step MacAdam ellipse
Luminous Flux 860 lm

Optics

36° single optic TIR made from optically clear thermoplastic included
Ordered Separately. Field Changeable
L611LENS15 15° single optic TIR

Passive thermal management provides silent operation to yield over 70% lumen maintenance for a minimum of 50,000 operation hours in 25°C (77°F) ambient.

LINE VOLTAGE FIXTURE EXTENSION

Suspend fixtures where needed without lowering the track.
Ordered separately.
BK, WT

For H1 or H2 Track

H2HVFE12 12" nominal, 14.5" overall
H2HVFE18 18" nominal, 20.5" overall
H2HVFE24 24" nominal, 26.5" overall
H2HVFE36 36" nominal, 38.5" overall
H2HVFE48 48" nominal, 50.5" overall

For J1 or J2 Track (on/off switch standard)

J2HVFE12 12" nominal, 14.5" overall
J2HVFE18 18" nominal, 20.5" overall
J2HVFE24 24" nominal, 26.5" overall
J2HVFE36 36" nominal, 38.5" overall
J2HVFE48 48" nominal, 50.5" overall

LABELS

cETLus Listed

WARRANTY

5 Years

ORDERING INFORMATION

SYSTEM	SERIES	CCT	CRI	FINISH
H2 = H1 or H2 Track L2 = L1 or L2 Track J2 = J1 or J2 Track	L611	30 – 3000K	90 – 90	B – Black W – White
	L611	30	90	



www.jescolighting.com
support@jescolighting.com
Tech Support: 855.592.0029

15 Harbor Park Drive
Port Washington, NY 11050
Main Line: 800.527.7796
Fax Line: 855.265.5768

219 South 6th Ave
City of Industry, CA 91746
Main Line: 855.654.0110
Fax Line: 626.333.2955

Specifications subject to change without notice.



L611

120V LED TRACK LUMINAIRE

Type	
Project	
Catalog No.	

RECOMMENDED DIMMERS

Manufacturer	Model	Type
Lutron ¹	SLV-600X	LE
	S2-LX	LE
	GL-600H	LE
	NFTU-5A	LE
	DVLV-600P	LE
	NTELV-600-XX	TE
	SELV-303P	TE
	MAELV-600-XX	TE
	DVELV-300P-XX	TE

Manufacturer	Model	Type
Lutron ¹	SELV-300P-XX	TE
Cooper ²	9530XXX	LE
Lightolier ³	MP600X	LE
Leviton ⁴	6602-X	LE
	6681-X	LE
	6683-X	LE
	6684-X	LE
	700-X	LE
	705-X	LE

Manufacturer	Model	Type
Leviton ⁴	6633	LE
	6674	LE
	IP106-1LZ	LE
	IPE04-1LZ	TE
	VZE06-1LX	TE
Philips	6615-P0T	TE
	SR150LED120	LE
	SR400RPC120	TE

JESCO recommends testing your unique dimming configuration as the exact application may affect dimming performance. Dimmers can be loaded up to 80% of their max power rating.

Notes:
⁴Expressed in percentage of setting current

¹Lutron is a registered trademark of Lutron Electronics, Inc.
²Cooper is a registered trademark of Cooper Industries

³Lightolier is a registered trademark of Philips Lighting.
⁴Leviton is a registered trademark of Leviton Mfg. Co., Inc.



www.jescolighting.com
support@jescolighting.com
Tech Support: 855.592.0029

15 Harbor Park Drive
Port Washington, NY 11050
Main Line: 800.527.7796
Fax Line: 855.265.5768

219 South 6th Ave
City of Industry, CA 91746
Main Line: 855.654.0110
Fax Line: 626.333.2955

Specifications subject to change without notice.