



LC-200-INT

12V/24V LED DMX INTERFACE

DMX ACCESSORIES

Type	
Project	
Catalog No.	



SPECIFICATIONS

Channels	3
Input Signal	DMX-512 / 1990 RJ-45
Output Voltage	12 or 24V DC
Current	5 Amps max per channel
Input Voltage	12 or 24V DC
Power Dissipation	<1W
Max Power Output	180W @ 12V DC 360W @ 24V DC
Operating Temperature	-4 to 122°F
Dimensions	7"L x 1-1/2"W x 1-1/8"H
Weight	0.6 lbs.

DESCRIPTION

The LC-200-INT is a DMX interface which assigns a DMX address to RGB light sources.

Requires a DMX controller.

FEATURES

- Meets DMX512/1990 Lighting control protocol standards
- RJ45 connector for DMX input
- 170 unique DMX addresses, 512 channels

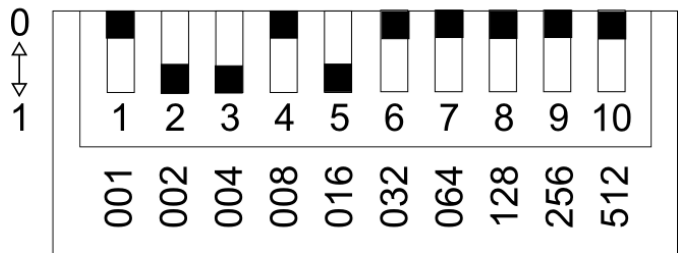
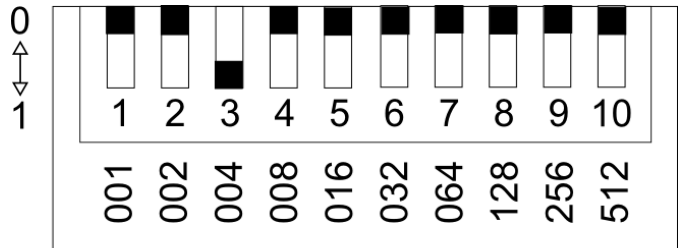
UNDERSTANDING DIP SWITCHES & CHANNELS

Every RGB fixture may occupy one DMX address which consists of 3 channels.

The binary dip switches represent the channels of each DMX address.

To set the starting channel of the DMX address, add up the sum of the bit values of switches 1 to 10. Flip the dip switch down to the 1 position to turn it on.

The first example on the right starts on channel 004 or DMX address 2. The second example starts on channel 22 or DMX address 8.





LC-200-INT

12V/24V LED DMX INTERFACE

DMX ACCESSORIES

Type	
Project	
Catalog No.	

DIP SWITCH CHART TO SET DMX ADDRESS

DMX Address	Channels Occupied			Dip switch to turn on	DMX Address	Channels Occupied			Dip switch to turn on	DMX Address	Channels Occupied			Dip switch to turn on
001	1	2	3	1	058	172	173	174	3468	115	343	344	345	123579
002	4	5	6	3	059	175	176	177	123468	116	346	347	348	24579
003	7	8	9	123	060	178	179	180	2568	117	349	350	351	134579
004	10	11	12	24	061	181	182	183	13568	118	352	353	354	679
005	13	14	15	134	062	184	185	186	4568	119	355	356	357	12679
006	16	17	18	5	063	187	188	189	124568	120	358	359	360	23679
007	19	20	21	125	064	190	191	192	234568	121	361	362	363	14679
008	22	23	24	235	065	193	194	195	178	122	364	365	366	34679
009	25	26	27	145	066	196	197	198	378	123	367	368	369	1234679
010	28	29	30	345	067	199	200	201	12378	124	370	371	372	25679
011	31	32	33	12345	068	202	203	204	2478	125	373	374	375	135679
012	34	35	36	26	069	205	206	207	13478	126	376	377	378	45679
013	37	38	39	136	070	208	209	210	578	127	379	380	381	1245679
014	40	41	42	46	071	211	212	213	12578	128	382	383	384	2345679
015	43	44	45	1246	072	214	215	216	23578	129	385	386	387	189
016	46	47	48	2346	073	217	218	219	14578	130	388	389	390	389
017	49	50	51	156	074	220	221	222	34578	131	391	392	393	12389
018	52	53	54	356	075	223	224	225	1234578	132	394	395	396	2489
019	55	56	57	12356	076	226	227	228	2678	133	397	398	399	13489
020	58	59	60	2456	077	229	230	231	13678	134	400	401	402	589
021	61	62	63	13456	078	232	233	234	4678	135	403	404	405	12589
022	64	65	66	7	079	235	236	237	124678	136	406	407	408	23589
023	67	68	69	127	080	238	239	240	234678	137	409	410	411	14589
024	70	71	72	237	081	241	242	243	15678	138	412	413	414	34589
025	73	74	75	147	082	244	245	246	35678	139	415	416	417	1234589
026	76	77	78	347	083	247	248	249	12345678	140	418	419	420	2689
027	79	80	81	1347	084	250	251	252	245678	141	421	422	423	13689
028	82	83	84	257	085	253	254	255	1345678	142	424	425	426	4689
029	85	86	87	1357	086	256	257	258	9	143	427	428	429	124689
030	88	89	90	457	087	259	260	261	129	144	430	431	432	23489
031	91	92	93	12457	088	262	263	264	239	145	433	434	435	15689
032	94	95	96	23457	089	265	266	267	149	146	436	437	438	35689
033	97	98	99	167	090	268	269	270	349	147	439	440	441	1235689
034	100	101	102	367	091	271	272	273	12349	148	442	443	444	245689
035	103	104	105	12367	092	274	275	276	259	149	445	446	447	1345689
036	106	107	108	2467	093	277	278	279	1359	150	448	449	450	789
037	109	110	111	13467	094	280	281	282	459	151	451	452	453	12789
038	112	113	114	567	095	283	284	285	12459	152	454	455	456	23789
039	115	116	117	12567	096	286	287	288	23459	153	457	458	459	14789
040	118	119	120	23567	097	289	290	291	169	154	460	461	462	34789
041	121	122	123	14567	098	292	293	294	369	155	463	464	465	1234789
042	124	125	126	34567	099	295	296	297	12369	156	466	467	468	25789
043	127	128	129	234567	100	298	299	300	2469	157	469	470	471	135789
044	130	131	132	28	101	301	302	303	13469	158	472	473	474	45789
045	133	134	135	138	102	304	305	306	569	159	475	476	477	1245789
046	136	137	138	48	103	307	308	309	12569	160	478	479	480	2345789
047	139	140	141	1248	104	310	311	312	23569	161	481	482	483	16789
048	142	143	144	2348	105	313	314	315	14569	162	484	485	486	36789
049	145	146	147	158	106	316	317	318	34569	163	487	488	489	1236789
050	148	149	150	358	107	319	320	321	1234569	164	490	491	492	246789
051	151	152	153	12358	108	322	323	324	279	165	493	494	495	1346789
052	154	155	156	2458	109	325	326	327	1379	166	496	497	498	56789
053	157	158	159	13458	110	328	329	330	479	167	499	500	501	1256789
054	160	161	162	68	111	331	332	333	12479	168	502	503	504	2356789
055	163	164	165	1268	112	334	335	336	23479	169	505	506	507	1456789
056	166	167	168	2368	113	337	338	339	1579	170	508	509	510	3456789
057	169	170	171	1468	114	340	341	342	3579					



www.jescolighting.com
support@jescolighting.com
Tech Support: 855.592.0029

15 Harbor Park Drive
Port Washington, NY 11050
Main Line: 800.527.7796
Fax Line: 855.265.5768

219 South 6th Ave
City of Industry, CA 91746
Main Line: 626.333.3661
Fax Line: 626.333.2955

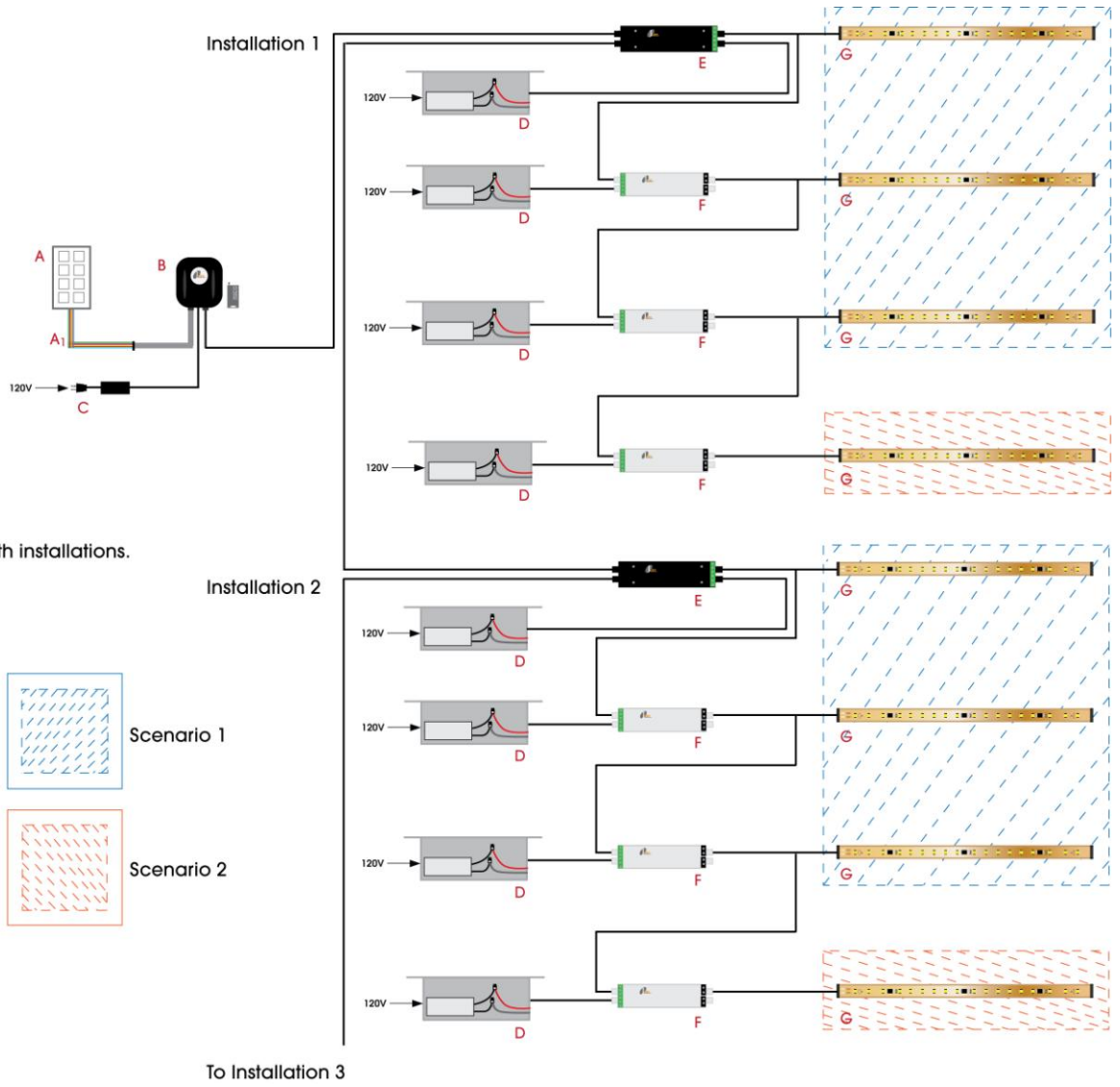
Rev 20
8/4/2014

Specifications subject to change without notice.



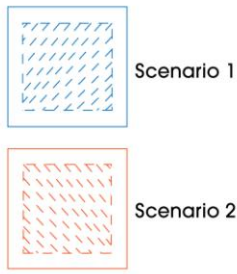
Type	
Project	
Catalog No.	

WIRING DIAGRAM WITH LC-PC-100



LC-200-INT option 1
 Scenario 2 synchronized with installations.

- A. DL-LC-KP8-W-8
- A1. DL-LC-KP8-CC
- B. LC-PC-100
- C. DL-PS-24/12
- D. DL-PS-60/24-JB
- E. LC-200-INT
- F. LC-200-RPT
- G. DL-FLEX-RGB

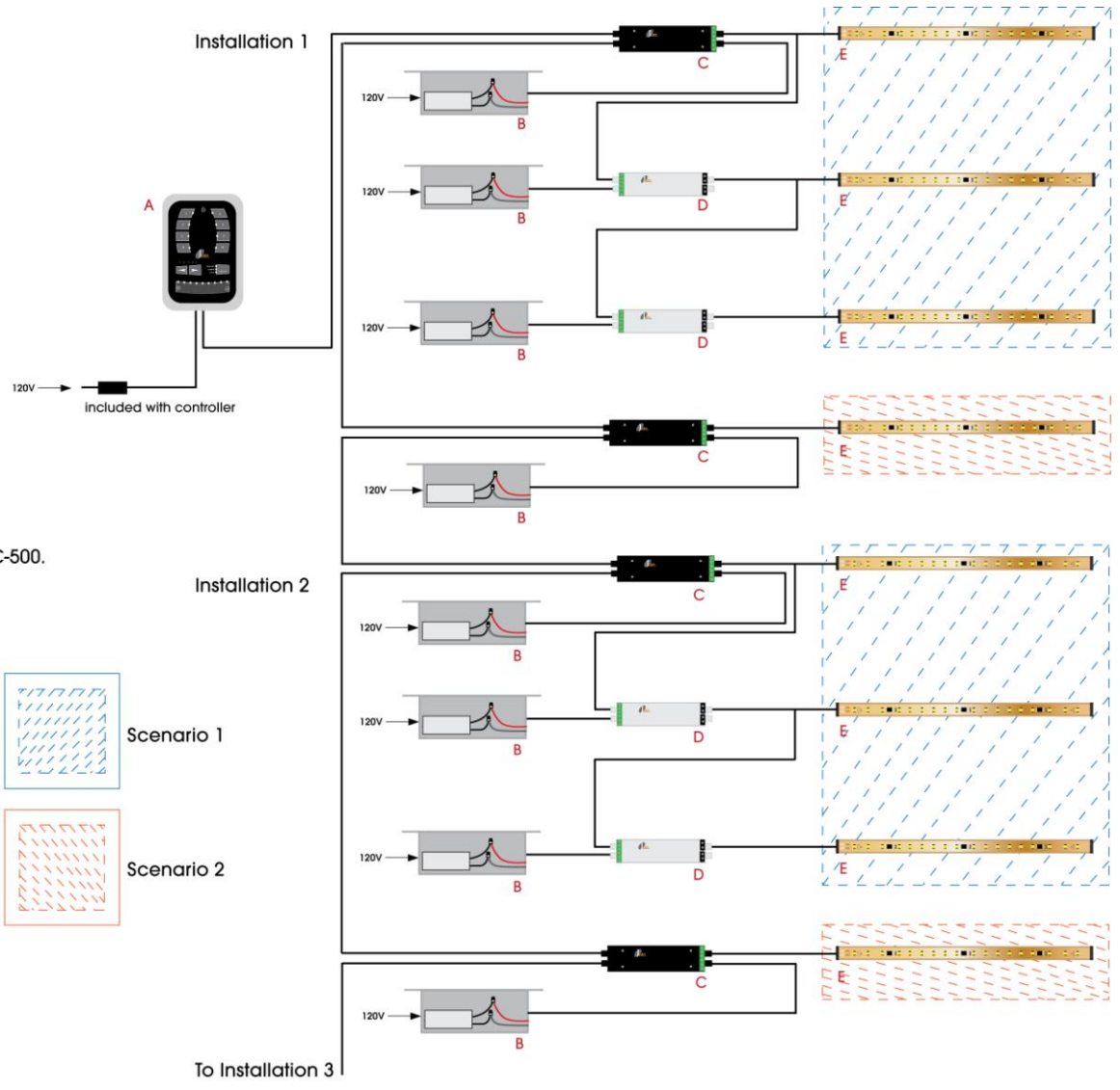


To Installation 3



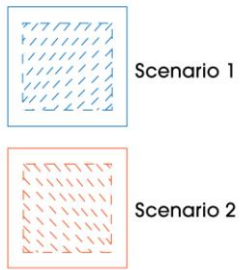
Type	
Project	
Catalog No.	

WIRING DIAGRAM WITH LC-PC-500



LC-200-INT option 2
 Upgrade LC-PC-100 to LC-PC-500.
 Each scenario can be controlled individually.

- A. LC-PC-500
- B. DL-PS-60/24-JB
- C. LC-200-INT
- D. LC-200-RPT
- E. DL-FLEX-RGB





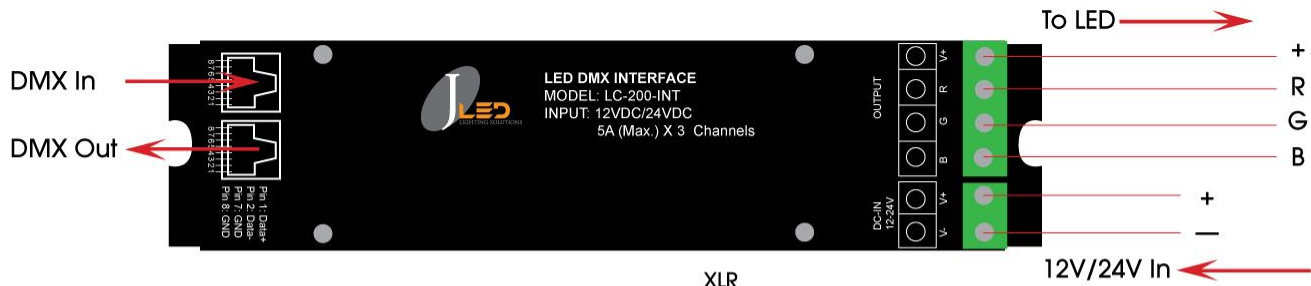
LC-200-INT

12V/24V LED DMX INTERFACE

DMX ACCESSORIES

Type	
Project	
Catalog No.	

LC-200-INT GUIDE



DMX	CAT5 Cable
GND	Brown + Brown/White
Data +	Orange/White
Data -	Orange

