



LC-RF-400X-RGB, -DIM, -CTA

LIGHTING CONTROLS
RADIO FREQUENCY 400 SERIES

Type	
Project	
Catalog No.	



LC-RF-400-RCV RECEIVER

DIMMING CONTROLLERS		CTA CONTROLLERS	RGB CONTROLLERS
LC-RF-400W-DIM	LC-RF-402W-DIM	LC-RF-400W-CTA	LC-RF-410W-RGB
LC-RF-400H-DIM		LC-RF-400H-CTA	LC-RF-400H-RGB

RECEIVER SPECIFICATIONS

LC-RF-400-RCV

Input Voltage*	12-24V DC
Channels	4 (depending on application - see wiring diagrams)
Output Power	96W Max per channel, 384W Max
Output Current	5A Max per channel
Pairing	Pairs up to 8 remote controllers
Operating Temperature**	-4°F - 122°F
Dimensions	7-1/16" L x 1-13/16" W x 3/4" H
Environment	Indoor-Dry
Warranty	5 Years – see published warranty terms for detailed information.

WALL MOUNTED REMOTE - FEATURES & SPECIFICATIONS

LC-RF-400W SERIES

Operating Voltage	3.6 VDC (CR2025 battery included)
Working Frequency	434 MHz
Remote Distance	100 feet
Operating Temperature**	-4°F - 122°F
Remote Dimensions	4-3/4" L x 2-15/16" W

LC-RF-402W / LC-RF-410W-RGB

Operating Voltage	12-24 VDC (power supply not included)
Working Frequency	434 MHz
Remote Distance	100 feet
Operating Temperature**	-4°F - 122°F
Remote Dimensions	4-3/4" L x 2-15/16" W

HAND HELD REMOTE - FEATURES & SPECIFICATIONS

LC-RF-400H SERIES

Operating Voltage	3.6V (3 x AAA batteries included)
Working Frequency	434 MHz
Remote Distance	100 feet
Operating Temperature**	-4°F - 122°F
Remote Dimension	4-3/4" L x 2-3/16" W x 11/16" H

- Touch wheel.
- Includes wall mount remote holder.
- 4 controllable zones
- Unlimited number of receivers per zone
- 3 savable scenes/colors per zone.
- Brightness control
- 10 built-in color changing modes for LC-RF-400-RGB

- Modern design with glass face plate and touch operations
- Wall mounted controllers fit standard single gang switch boxes.
- LC-RF-400W and -400H series controllers are battery operated.
- LC-RF-402W-DIM offers 2 zone dimming. External power supply required, not included.
- LC-RF-410W offers single zone color control with 3 savable settings. External power supply required, not included.

*Not recommended with magnetic power supplies.

**Exceeding the operating temperature values may damage the product by reducing the lifespan, lumen output, adversely impact color consistency, and void the warranty. It is recommended adequate airflow and heatsinking be taken into consideration in the installation and application of this product. Improper thermal management may lead to premature product failure.

Solid obstacles and other wireless devices may interfere with signals sent from controller and reduce working distance.



www.jescolighting.com
support@jescolighting.com
Tech Support: 855.592.0029

15 Harbor Park Drive
Port Washington, NY 11050
Main Line: 800.527.7796
Fax Line: 855.265.5768

219 South 6th Ave
City of Industry, CA 91746
Main Line: 855.654.0110
Fax Line: 626.333.2955

Specifications subject to change without notice.



LC-RF-400X-RGB, -DIM, -CTA

LIGHTING CONTROLS
RADIO FREQUENCY 400 SERIES

Type	
Project	
Catalog No.	

OPERATING INSTRUCTIONS FOR WALL MOUNTED REMOTE CONTROLLERS



Each remote can control multiple receivers. Master and slave mode must be set for each zone. Each zone can only have one master. All other receivers on the same zone must be set to slave. The master receiver will sync all receivers to ensure all colors or modes are consistent in the given zone.

<p>LC-RF-400W-DIM</p>		<p>LC-RF-402W-DIM</p>	
<p>PAIRING WITH LC-RF-400-RCV</p> <ol style="list-style-type: none"> 1. Press the "Learning Key" button on the receiver. (Note: no tool needed. Case cover depresses with slight pressure) 2. Push the rotary dial. 3. Once successfully paired, the LED lights connected to the receiver will blink. 	<p>CONTROL</p> <ul style="list-style-type: none"> - Push rotary dial for on/off - Turn rotary dial to the left to decrease brightness - Turn rotary dial to the right to increase brightness 	<p>PAIRING WITH LC-RF-400-RCV</p> <ol style="list-style-type: none"> 1. Press the "learning key" button on the receiver. (Note: no tool needed. Case cover depresses with slight pressure) 2. Push "I" to assign receiver to zone 1 or zone 2. 3. Once successfully paired, the LED lights connected to the receiver will blink. 	<p>CONTROL</p> <ul style="list-style-type: none"> - Short press "I" to turn on. - Press and hold "I" to increase brightness - Short press "O" to turn off. - Press and hold "O" to decrease brightness
<p>LC-RF-400W-CTA</p>	<p>PAIRING WITH LC-RF-400-RCV</p> <ol style="list-style-type: none"> 1. Press the "learning key" button on the receiver. (Note: no tool needed. Case cover depresses with slight pressure) 2. Push the rotary dial. 3. Once successfully paired, the LED lights connected to the receiver will blink. 	<p>DIM CONTROL</p> <ul style="list-style-type: none"> - Push rotary dial for on/off - Turn rotary dial to the left to decrease brightness - Turn rotary dial to the right to increase brightness 	<p>CCT CONTROL</p> <ul style="list-style-type: none"> - Push rotary dial twice quickly to access color tune function - Turn rotary dial to left for cool color temperature - Turn rotary dial to right for warm color temperature
<p>LC-RF-400W-RGB</p>	<p>PAIRING WITH LC-RF-400-RCV</p> <ol style="list-style-type: none"> 1. Make sure the remote is on by touching the on/off button. 2. Press the "learning key" button on the receiver. (Note: no tool needed. Case cover depresses with slight pressure) 3. Touch the color wheel. Once successfully paired, the LED lights connected to the receiver will blink. 	<p>RGB CONTROL</p> <ul style="list-style-type: none"> Color Wheel: Touch to choose color Warm white & Cold White & Natural White, mixed by RGB Brightness: (gear icon) Save Color: Long Touch S1/S2/S3 to save your favorite colors Switch: Short touch to switch on/off Color Running Button: Short touch to start or Pause color running mode; Long touch to adjust speed (1 built-in color running mode) 	

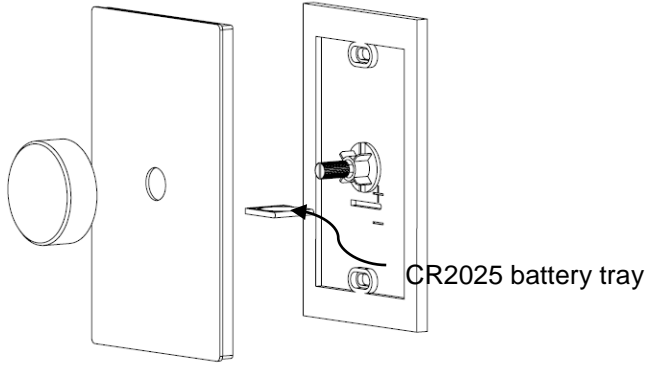


LC-RF-400X-RGB, -DIM, -CTA

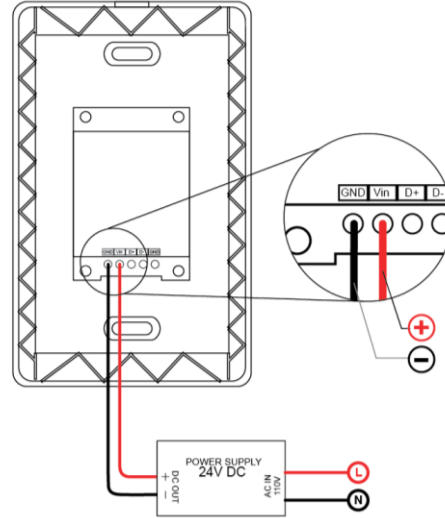
LIGHTING CONTROLS
RADIO FREQUENCY 400 SERIES

Type	
Project	
Catalog No.	

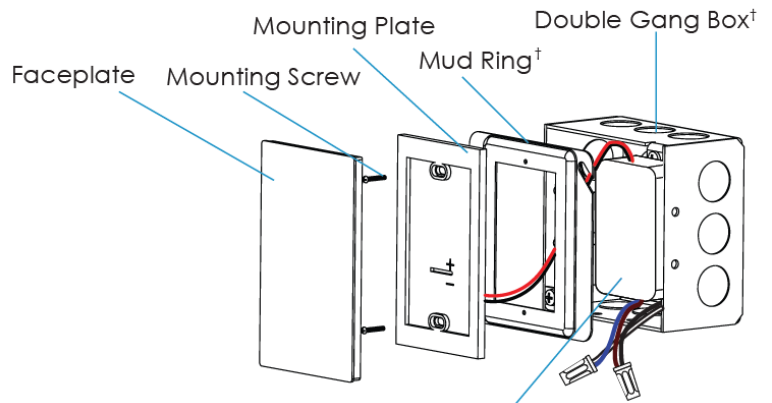
WALL MOUNTED CONTROLLER WIRING DIAGRAM for reference purposes only. Not for installation. Not to scale.



LC-RF-400W Series (CR2025 battery included)



LC-RF-402W-DIM / LC-RF-410W-RGB (Power Supply not Included)



Double Gang Box
Min. depth 2 inches to fit DL-PS-12/24-HW

12W/24V Hardwire Power Supply
DL-PS-12/24-HW†
†Not Included.

LC-RF-402W-DIM / LC-RF-410W-RGB junction box installation with DL-PS-12/24-HW



LC-RF-400X-RGB, -DIM, -CTA

LIGHTING CONTROLS
RADIO FREQUENCY 400 SERIES

Type	
Project	
Catalog No.	

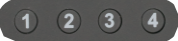
OPERATING INSTRUCTIONS FOR HANDHELD REMOTE CONTROLLERS



Each Handheld remote can control multiple receivers.

To pair handheld remote controller to LC-RF-400-RCV receiver, make sure the remote is off. (indicator LED on remote should not be lit)

1. Press the "learning key" button on the receiver. (Note: no tool needed. Case cover depresses with slight pressure)
2. Immediately press the power button on handheld remote controller, then press on desire zone from 1 through 4.
3. Once successfully paired, the LED lights connected to the receiver will blink.



Indicator: indicate the state of remote control

Brightness button

Brightness wheel

4 zones: each zone can save 3 color or modes

25% Brightness

50% Brightness

75% Brightness

100% Brightness

ON/OFF of all zones

Save button

S1 S2 S3

LC-RF-400H-DIM

Color Wheel

1. Select a zone or multiple zones.
2. Choose a brightness level by touching the brightness wheel.

Brightness button

1. Press and hold the brightness button to dim up or down. The dimming direction will change every time after pressing the brightness button.

Save/Scene button

1. Select a zone.
2. Select a brightness level using the brightness wheel. Press and hold a Save/Scene button for 2-3 secs. The LEDs will flash twice to indicate the save was successful.

Indicator: indicate the state of remote control

Brightness button

Color temperature wheel

4 zones: each zone can save 3 color or modes

25% Brightness

50% Brightness

75% Brightness

100% Brightness

ON/OFF of all zones

Save button

S1 S2 S3

LC-RF-400H-CTA

Color Wheel

1. Select a zone or multiple zones.
2. Choose a color temperature by touching the color temperature wheel.

Brightness button

1. Press and hold the brightness button to dim up or down. The dimming direction will change every time after pressing the brightness button.

Save/Scene button

1. Select a zone.
2. Select a color temperature using the color temperature wheel. Adjust brightness as needed. Press and hold a Save/Scene button for 2-3 secs. The LEDs will flash twice to indicate the save was successful.

Indicator: indicate the state of remote control

White channel: the 4th channel

Color wheel

4 zones: each zone can save 3 color or modes

Brightness: dim down

Brightness: dim up

Running button/Speed button

ON/OFF of all zones

ww nw and cw mixed by RGB

Save button

S1 S2 S3

LC-RF-400H-RGB

Color Wheel

1. Select a zone or multiple zones.
2. Choose a color by touching the color wheel.

Play/Speed button

1. Press Play/Speed button to start color changing mode.
2. Press Play/Speed button to stop the current mode.
3. Press Play/Speed again for the next mode.
4. Press and hold the Play/Speed button to speed up the current mode.
5. Press and hold the Play/Speed button again to slow down the current mode.

Save/Scene button

1. Select a zone.
2. Select a color using the color wheel or select a mode using the play button.
3. Press and hold a Save/Scene button for 2-3 secs. The LEDs will flash twice to indicate the save was successful.



www.jescolighting.com
support@jescolighting.com
Tech Support: 855.592.0029

15 Harbor Park Drive
Port Washington, NY 11050
Main Line: 800.527.7796
Fax Line: 855.265.5768

219 South 6th Ave
City of Industry, CA 91746
Main Line: 855.654.0110
Fax Line: 626.333.2955

Specifications subject to change without notice.

9/9/2015

Page 4 of 5



LC-RF-400X-RGB, -DIM, -CTA

LIGHTING CONTROLS
RADIO FREQUENCY 400 SERIES

Type	
Project	
Catalog No.	

RECEIVER WIRING DIAGRAM for reference purposes only. Not for installation. Not to scale.
Refer to your LED product's spec sheet for the correct power supply.

