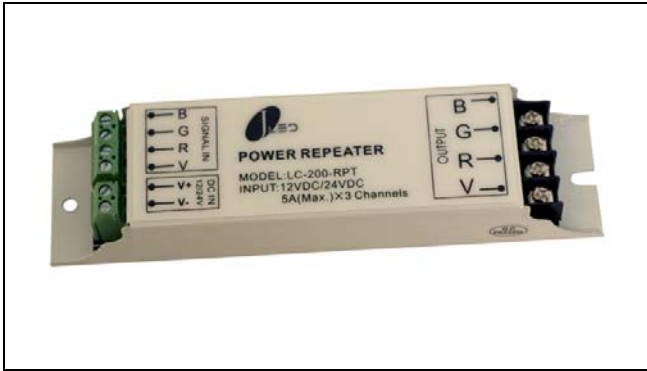


## POWER REPEATER LC-200-RPT



## SPECIFICATIONS

<b>Power Input</b>	12 or 24V DC
<b>Wattage</b>	60W at 12V DC, 120W at 24V DC - per channel
<b>Load</b>	3 x 5 Amps per channel up to combined maximum 200W total load.
<b>I/O Channels</b>	Use in parallel for additional channels RGB+A etc.
<b>Dimensions</b>	6-1/2"L x 1-1/2"W x 1"H
<b>Weight</b>	0.6 Lbs

## APPLICATIONS

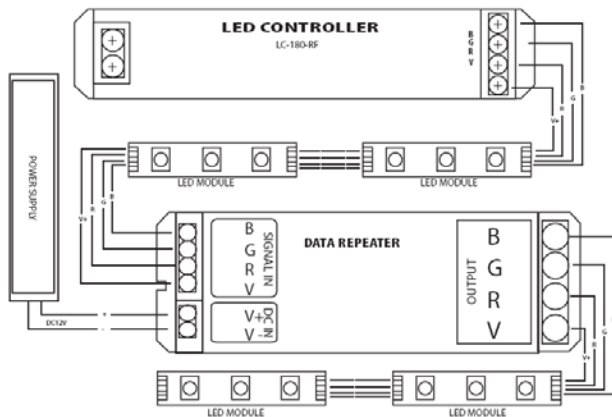
- RGB or White, White, White power repetition and run extension
- Requires additional DL-PS power supply plus a PWM signal – (typically LC-200-INT, LC-DIM5A-HW, DL-PS-25/24-DIM, LC-180-RF, LC-DIM100-RF)
- Can be used to extend capacity indefinitely by using multiples – no load or run limitations.
- For extending power capacity, extending run length or jumping to remote installations without voltage drop.
- Use with additional DL-PS power supply to extend power capacity any of the JLED dimmer or DMX interfaces.
- Use to extend capacity of both White light and RGB systems

## WIRING INSTALLATION

- For use with JLED 12v and 24v dc PWM dimmed systems
- For use with JLED 12v and 24v DL-PS LED drivers
- Size power supply to connected load
- Contractor to size conductors to connected load
- No need to make allowance for power consumption of LC-200-RPT to previous driving dimmer in chain
- Input to LC-200-RPT can be at the end of a fixture run or from the start of a fixture run at will.
- See spec sheets for LC-200-INT, LC-DIM5A-HW, DL-PS-25/24-DIM, LC-180-RF, LC-DIM100-RF and others for additional wiring information.

**Note:** Do Not energize the system until inspected by a qualified electrician. Always install in conformance with Local & National Electrical Codes.

## WIRING SCHEMATICS



## SUBMITTAL

<b>Job Name:</b>	<b>Date:</b>
<b>Specification Type:</b>	<b>Job Location:</b>
<b>Drawing Location of Fixture Type:</b>	<b>Approval:</b>
<b>Specifier Name:</b>	<b>Sales Agency Contact:</b>
<b>Contact Phone/Email:</b>	<b>Contact Phone/Email:</b>



**JESCO LIGHTING GROUP**  
6625 TRAFFIC AVE  
GLENDALE, NY 11385

800.527.7796  
WWW.JESCOLIGHTING.COM

Specifications subject to  
change without prior notice  
Rev 42  
6/22/2010  
Page 1 of 1