

# LC-PC-500

LIGHTING CONTROL  
ADVANCED WALL MOUNTED DMX CONTROLLER



Fixture Type
Project
Notes



The LC-PC-500 is a wall mounted stand alone touch sensitive DMX lighting controller. The sensitive keys enable you to comfortably modify the lighting effects. The touch sensitive keypad allows colors, speed, and brightness levels to be controlled easily. 8 buttons to choose from up to 200 lighting scenes (25x8), 2 buttons to cycle between pages and a horizontal fader to instantly adjust dimmer, speed and color. Along with a state of the art design, the product comes with amazing features such as 1024 DMX channels, touch sensitive panel, clock/calendar, ethernet facilities, and much more



## SPECIFICATIONS

<b>INPUT VOLTAGE</b>	6-9V DC   7V DC power supply included
<b>POWER SUPPLY INPUT VOLTAGE</b>	100-240 V AC
<b>CONNECTIONS</b>	USB, ETHERNET, RS232, Clock, 8 dry contact ports, Output Relay
<b>OUTPUT PROTOCOL</b>	DMX512 (x2)
<b>MEMORY</b>	microSD card 4GB max, FAT16/32
<b>PROGRAMMING SOFTWARE</b>	ESA PRO

<b>MOUNTING</b>	Single or Double Gang box
<b>DIMENSIONS</b>	5-3/4"L x 4-3/16"W x 7/16"H
<b>ENVIRONMENT</b>	Indoor, Dry
<b>OPERATING TEMP.</b>	14°F - 122°F
<b>CERTIFICATION</b>	cETLus, EC, EMC, RoHS
<b>WARRANTY</b>	5 Years

## PRE-PROGRAM LIST

### DMX Address 001

1	5 seconds fade RED-GREEN-BLUE-YELLO-PURPLE-CYAN-COOL WHITE	
2	RED	
3	GREEN	
4	BLUE	
5	YELLOW	
6	CYAN	
7	PURPLE	
8	COOL WHITE	

### DMX Address 002

1	5 seconds fade RED-GREEN-BLUE-YELLO-PURPLE-CYAN-COOL WHITE	
2	RED	
3	GREEN	
4	BLUE	
5	YELLOW	
6	CYAN	
7	PURPLE	
8	COOL WHITE	

JESCO offers custom programming service. Consult factory for more information.

## ORDERING INFO

MODEL  
**LC-PC-500**



Contents included

### DMX INTERFACE OPTIONS

<b>LC-200-INT</b>	24V DC 3 Channels 5A/CH
<b>LC-300-INT</b>	24V DC 4 Channels 8A/CH
<b>LC-AC-600-INT<sup>1</sup></b>	120V AC 4 Channels 1.5A/CH

<sup>1</sup> Dedicated for INFINA® 2 RGBW, check spec sheet for detail  
Apple, the Apple logo, iPhone and iPad are trademarks of Apple Inc., registered in the U.S. and other countries. App Store is a service mark of Apple Inc.  
Google Play and Google Play logo are trademarks of Google LLC.

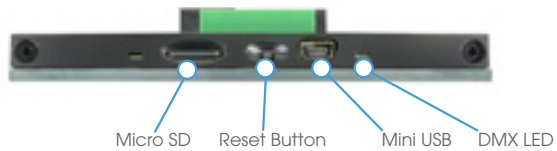
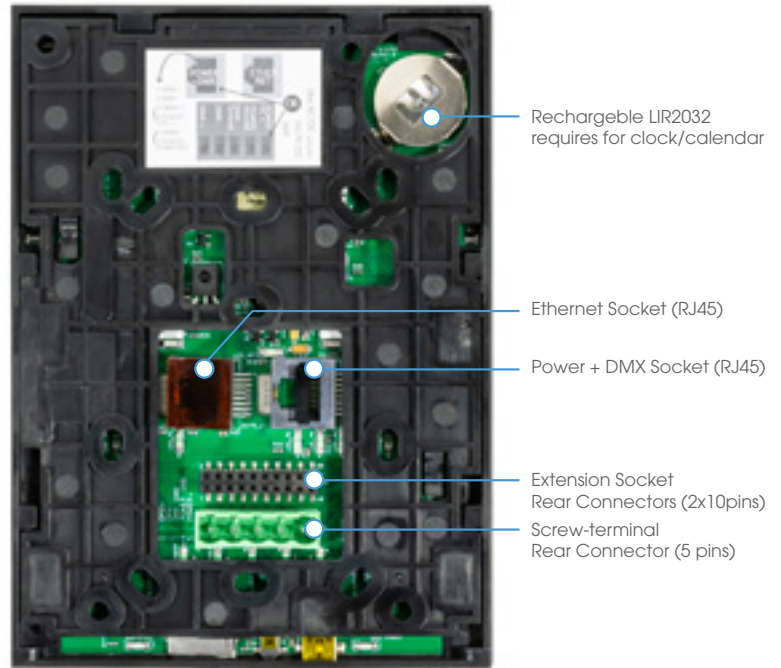
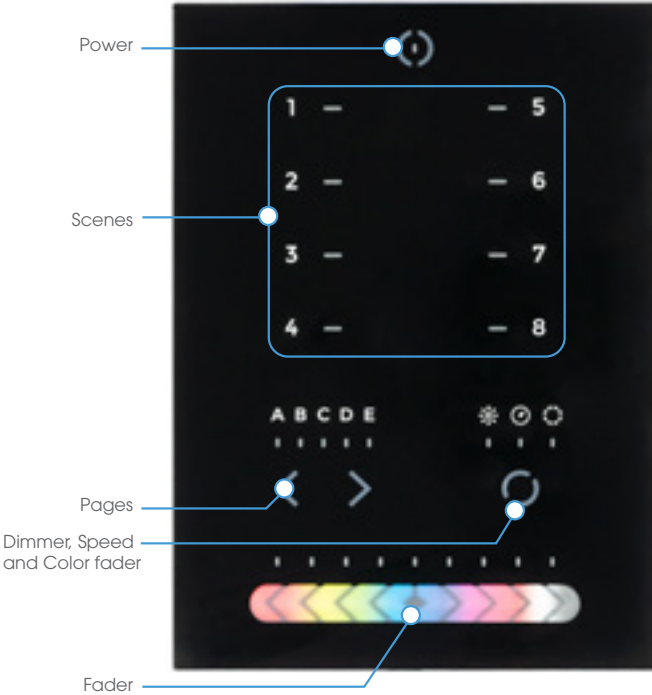
# LC-PC-500

LIGHTING CONTROL  
ADVANCED WALL MOUNTED DMX CONTROLLER

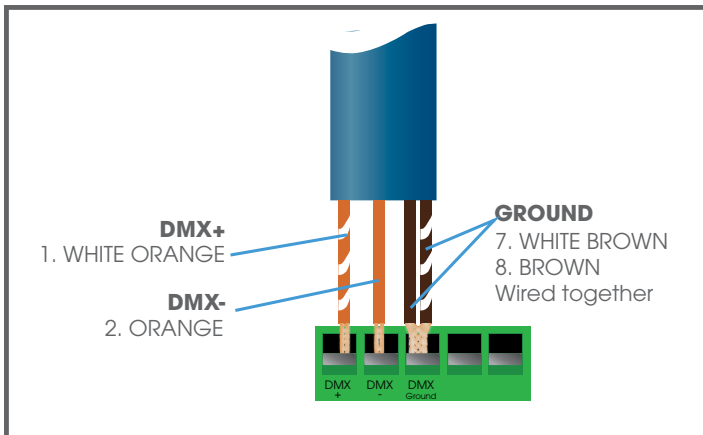


Fixture Type
Project
Notes

## OPERATIONS AND CONNECTIONS



## CONNECTOR BLOCK WIRING WITH RJ45

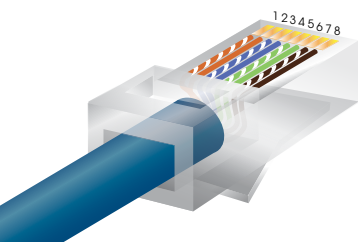


### EIA 568B

1. WHITE ORANGE
2. ORANGE
3. WHITE BLUE
4. BLUE
5. WHITE GREEN
6. GREEN
7. BROWN
8. WHITE BROWN



Wire 3,4,5,6 are not used



**NY** 15 Harbor Park Drive  
Port Washington, NY 11050

Main Fax 800 527 7796  
855 265 5768

**CA** 219 South 6th Ave  
City of Industry, CA 91746

Main Fax 800 527 7796  
855 265 5768

**i** support@jescolighting.com  
Tech Support 855 592 0029

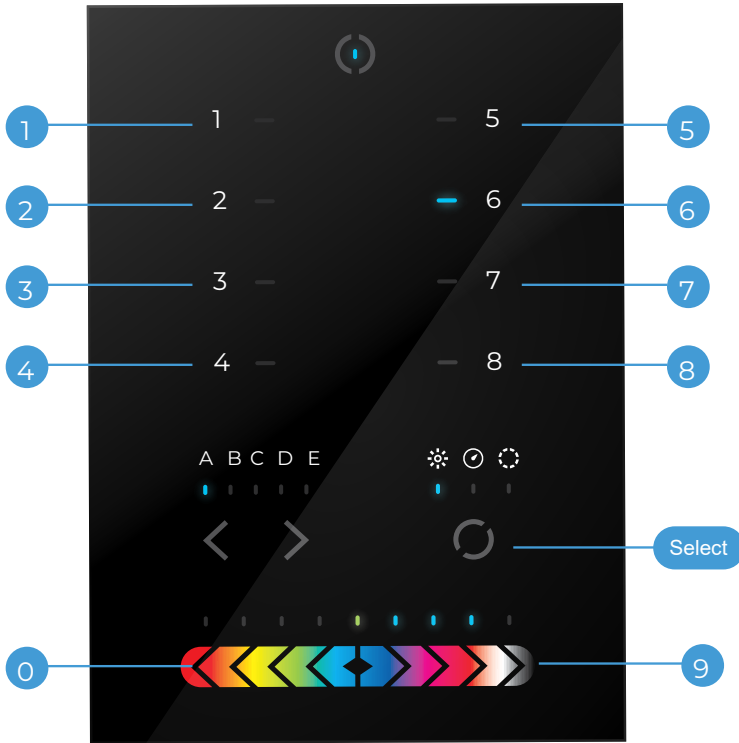
# LC-PC-500

LIGHTING CONTROL  
ADVANCED WALL MOUNTED DMX CONTROLLER



Fixture Type
Project
Notes

## KEY PAD + SELECT BUTTON FUNCTIONS



### Time Format

3:30pm = 15:30

15:30 = 1530

### Date Format

5 DEC 2018 = 051218

Function	Examples
Select + 1	View time view time 2:45pm = 14:45 = 1445
Select + 2	View date view date 6 Sep 2018 = 060918
Select + 3	Set time Set time to 3:30pm = 15:30 = press buttons 1530
Select + 4	Set date Set 18 DEC 2018 date = 051218
Select + 5	Set fade time Set 1m32s fade time = 0132
Select + 6	Lock function This function locks the keypad (disabled by default) Use HardwareManager to enable it and set the 4-digit code

Select + 1

View time

view time 2:45pm = 14:45 = 1445

Select + 2

View date

view date 6 Sep 2018 = 060918

Select + 3

Set time

Set time to 3:30pm = 15:30 = press buttons 1530

1 5 3 0

Select + 4

Set date

Set 18 DEC 2018 date = 051218

0 5 1 2 1 8

Select + 5

Set fade time

Set 1m32s fade time = 0132

0 1 3 2

Select + 6

Lock function

This function locks the keypad (disabled by default)  
Use HardwareManager to enable it and set the 4-digit code

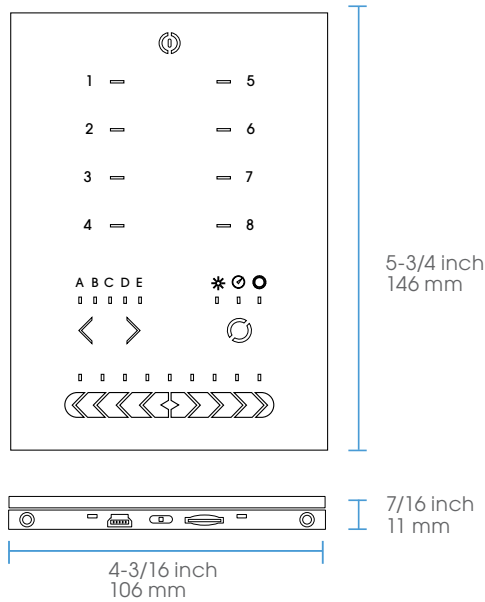
# LC-PC-500

LIGHTING CONTROL  
ADVANCED WALL MOUNTED DMX CONTROLLER

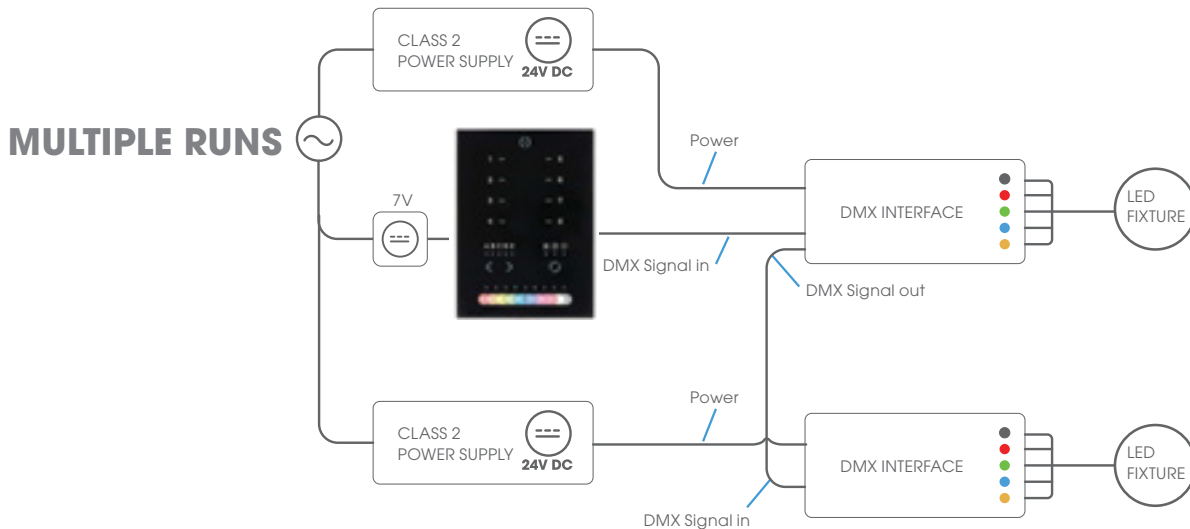
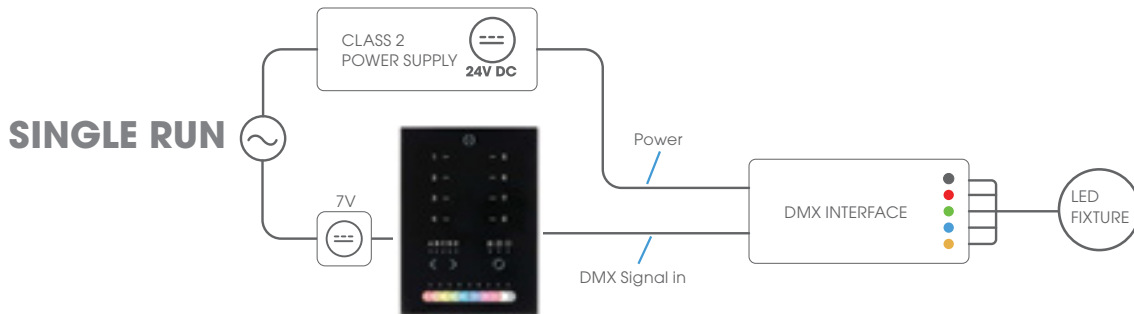


Fixture Type
Project
Notes

## DIMENSIONS



## TYPICAL WIRING SCHEMATICS WITH DMX INTERFACE



# LC-PC-500

LIGHTING CONTROL  
ADVANCED WALL MOUNTED DMX CONTROLLER



Fixture Type
Project
Notes

## DMX ADDRESS GUIDE FOR INTERFACE

RGB DMX MODE CHART TO SET DMX ADDRESS				
DMX ADDRESS	CHANNELS OCCUPIED			SET CODE TO
1	1	2	3	001
2	4	5	6	004
3	7	8	9	007
4	10	11	12	010
5	13	14	15	013
6	16	17	18	016
7	19	20	21	019
8	22	23	24	022
9	25	26	27	025
10	28	29	30	028
11	31	32	33	031
12	34	35	36	034
13	37	38	39	037
14	40	41	42	040
15	43	44	45	043
16	46	47	48	046
17	49	50	51	049
18	52	53	54	052
19	55	56	57	055
20	58	59	60	058
21	61	62	63	061
22	64	65	66	064
23	67	68	69	067
24	70	71	72	070
25	73	74	75	073
26	76	77	78	076
27	79	80	81	079
28	82	83	84	082
29	85	86	87	085
30	88	89	90	088
31	91	92	93	091
32	94	95	96	094
33	97	98	99	097
34	100	101	102	100
35	103	104	105	103
36	106	107	108	106
37	109	110	111	109
38	112	113	114	112
39	115	116	117	115
40	118	119	120	118

RGBW DMX MODE CHART TO SET DMX ADDRESS					
DMX ADDRESS	CHANNELS OCCUPIED				SET CODE TO
1	1	2	3	4	001
2	5	6	7	8	005
3	9	10	11	12	009
4	13	14	15	16	013
5	17	18	19	20	017
6	21	22	23	24	021
7	25	26	27	28	025
8	29	30	31	32	029
9	33	34	35	36	033
10	37	38	39	40	037
11	41	42	43	44	041
12	45	46	47	48	045
13	49	50	51	52	049
14	53	54	55	56	053
15	57	58	59	60	057
16	61	62	63	64	061
17	65	66	67	68	065
18	69	70	71	72	069
19	73	74	75	76	073
20	77	78	79	80	077
21	81	82	83	84	081
22	85	86	87	88	085
23	89	90	91	92	089
24	93	94	95	96	093
25	97	98	99	100	097
26	101	102	103	104	101
27	105	106	107	108	105
28	109	110	111	112	109
29	113	114	115	116	113
30	117	118	119	120	117
31	121	122	123	124	121
32	125	126	127	128	125
33	129	130	131	132	129
34	133	134	135	136	133
35	137	138	139	140	137
36	141	142	143	144	141
37	145	146	147	148	145
38	149	150	151	152	149
39	153	154	155	156	153
40	157	158	159	160	157