

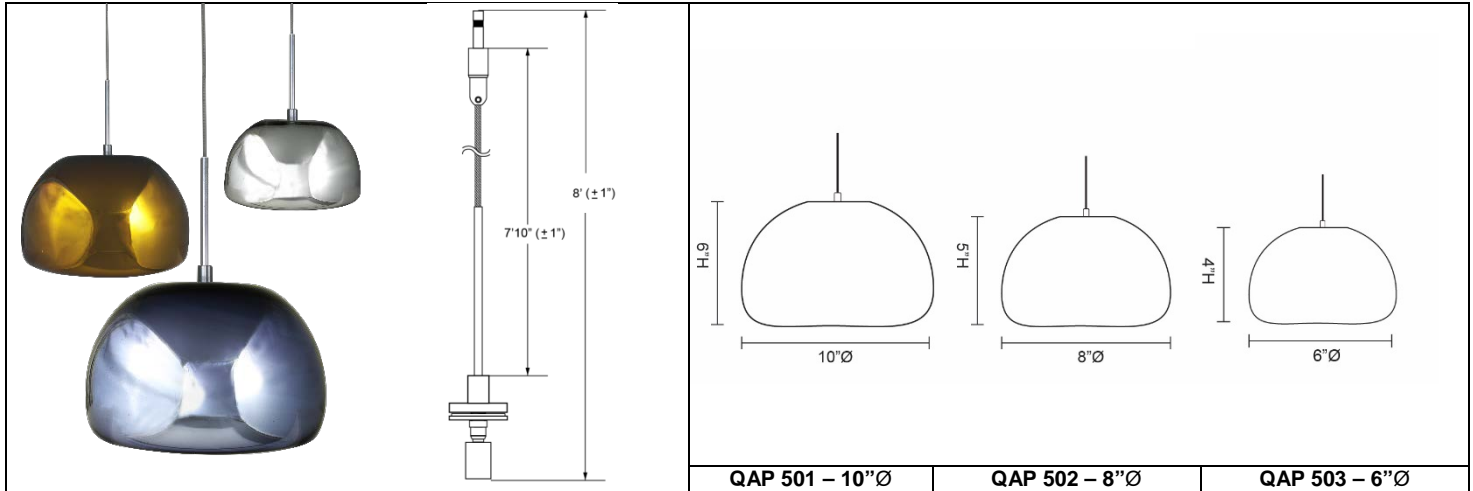
# WHILE SUPPLIES LAST



**QAP501, QAP502, QAP503**

**QUICK ADAPT PENDANTS**  
LOW VOLTAGE

Type	
Project	
Catalog No.	



## DESCRIPTION

Handblown, recycled, mirrored glass pendant made from recycled cola bottles. Made and imported from Mexico. No two alike.

Quick Adapt Pendant includes a Quick Adapt Jack, 8' socket assembly, hang-straight tube, and Xenon Bi-Pin 12V 50W lamp. Cable may be field-cut.

May be used with JESCO Monorail Systems, Standard Track Systems, or with Monopoint/Multipoint Systems – See COMPATIBLE SYSTEMS.

Input Voltage	12 VAC
Wattage	Up to 50W
Socket set	QASS32X (included and pre-installed)
Lamp*	Xenon Bi-Pin 12V 50W (included)
Dimensions	501 – 6"H x 10" Ø
	502 – 5"H x 8" Ø
	503 – 4"H x 6" Ø
Environment	Indoor - Dry
Certifications	ETL Listed

\*Optional: 24V lamp, requires appropriate power supply (not supplied).

## ORDERING INSTRUCTIONS

MODEL	GLASS FINISH	SOCKET FINISH
QAP501 – 10" Ø	CC – Chocolate	BZ – Bronze
QAP502 – 8" Ø	CH – Chrome	CH – Chrome
QAP503 – 6" Ø	EP – Eggplant	SN – Satin Nickel

Example: QAP501-EP/CH

## WARRANTY

JESCO WSL Discontinued/Overstock items are final sale, non-returnable, and include a 90-day warranty against defects from the invoice date, superseding all prior stated warranties in print, online, or any other form.

## COMPATIBLE SYSTEMS

### MONOPOINT / MULTIPOINT SYSTEM



Quick Adapt Pendants may be directly mounted onto Monopoint or Multipoint canopies which have built-in or remote transformer options.

### STANDARD TRACK SYSTEM



The Standard Track Adapter MA-TA-H (sold separately) enables the use of Quick Adapt Pendants in Standard, Line Voltage H-Track Systems. Includes a 50W electronic transformer. Dimmable with an electronic or standard incandescent dimmer.

### MONORAIL SYSTEM



The Monorail Fixture Adapter MA-FA (sold separately) provides the connection between the Quick Adapt Pendant to the Monorail.



www.jescolighting.com  
support@jescolighting.com  
Tech Support: 855.592.0029

15 Harbor Park Drive  
Port Washington, NY 11050  
Main Line: 800.527.7796  
Fax Line: 855.265.5768

219 South 6<sup>th</sup> Ave  
City of Industry, CA 91746  
Main Line: 855.654.0110  
Fax Line: 626.333.2955

Rev 1  
5/6/2016

Specifications subject to change without notice.

Page 1