

WHILE SUPPLIES LAST

# RELYENCE DISTRIBUTOR PROGRAM



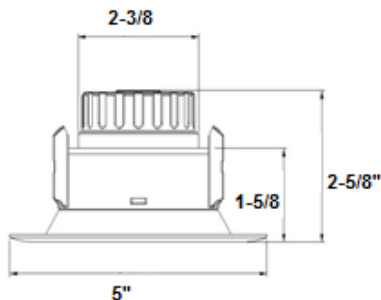
RE-NEO-RDR-4001-09-XXXX-WH

LED DOWNLIGHTS  
4" RETROFIT DOWNLIGHT

Type	
Project	
Catalog No.	



**DIMENSIONS: 5" DIA x 2 5/8" H**



## SPECIFICATIONS

Model	RE-NEO-RDR-4001-09-XXXX-WH		
Description	4" Retrofit Downlight		
Input Voltage	120 V AC		
Wattage	9W		
CCT/CRI	2700K @ 90CRI		
	3000K @ 80CRI		
	3500K @ 80CRI		
Lumens ▼	650 lm		
Efficacy	72 lm/W		
Power Factor	>0.9		
Operating Temperature	-25°C to 45°C		
Dimming	10% to 100%, Triac and CFL/LED		
Dimensions	See Diagram		
Environment	Indoor - Dry / Damp		
Certifications			
Warranty	JESCO WSL Discontinued/Overstock items are final sale, non-returnable, and include a 90-day warranty against defects from the invoice date, superseding all prior stated warranties in print, online, or any other form.		

▼Based on 3000K

▼Exceeding the operating temperature values may damage the LEDs by reducing the lifespan, lumen output, and/or adversely impact color consistency. Improper thermal management may lead to premature product failure and void the warranty.

## DESCRIPTION

JESCO's RELYENCE Series retrofit downlights offer an easy and cost effective solution to converting any 4" incandescent recessed fixture to energy efficient LED. The integral trim and housing incorporates a white smooth baffle, simplifying installations. The 9W design provides a higher lumen output than a 50W PAR 20 or MR16. The unit is provided with a detachable E26 adapter which easily screws into an existing incandescent socket. An optional GU24 adapter is also available. Can be installed in either IC or non-IC housings in dry or damp locations. Dimmable down to 10% with most incandescent or CFL/LED dimmers.

## FEATURES

- 650 lm from 9 W
- Efficacy of 72 lm/W
- CRI >80 & 90 ◆
- CCT - 2700K, 3000K or 3500K ◆
- Dimmable down to 10% with most Incandescent or CFL/LED dimmers
- Securely mounts into IC or non-IC housing
- 100° Beam Angle
- Eco-Friendly – No mercury or hazardous materials
- Lamp Life 50,000 hours
- Provides uniform lamp like appearance

◆Refer to ordering info



www.jescolighting.com  
support@jescolighting.com  
Tech Support: 855.592.0029

15 Harbor Park Drive  
Port Washington, NY 11050  
Main Line: 800.527.7796  
Fax Line: 855.265.5768

219 South 6<sup>th</sup> Ave  
City of Industry, CA 91746  
Main Line: 855.654.0110  
Fax Line: 626.333.2955

Specifications subject to change without notice.

5/11/2018  
Page 1 of 3

WHILE SUPPLIES LAST

# RELYENCE DISTRIBUTOR PROGRAM



RE-NEO-RDR-4001-09-XXXX-WH

LED DOWNLIGHTS  
4" RETROFIT DOWNLIGHT

Type	
Project	
Catalog No.	

## ORDERING INFORMATION

<b>MODEL</b> RE-NEO-RDR	-	<b>STYLE</b> 4001 4001- Smooth baffle	-	<b>WATTAGE</b> 09 09-9W	-	<b>CCT/CRI</b> 2790-2700CCT/90CRI 3080-3000CCT/80CRI 3580-3500CCT/80CRI	-	<b>FINISH</b> WH WH-White
----------------------------	---	---	---	-------------------------------	---	--	---	---------------------------------

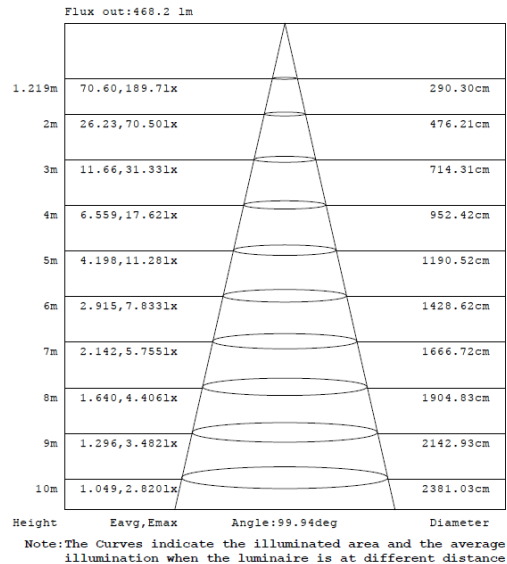
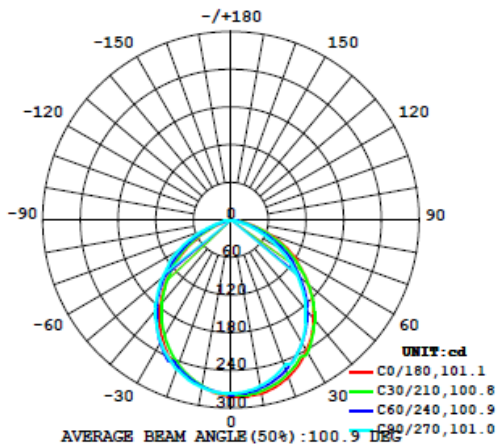
Example: RE-NEO-RDR-4001-09-2790-WH  
\*Consult Factory

## COMPATIBLE DIMMERS

MANUFACTURER	STYLE	MODEL NUMBER	TYPE
Lutron	Diva	DVCL-153P	(CFL/LED)
	Caseta	PD-6WCL	(CFL/LED)
	Maestro	MACL-153M	(CFL/LED)
	Ariadni/Toggler	TGCL-153P	(CFL/LED)
	Skylark	S-153P	(CFL/LED)
	Skylark	S-603P	(Incandescent/halogen)
	Skylark	S-600	(Incandescent)
	Skylark Contour	CT-600P	(Incandescent/halogen)
	Skylark Contour	CTCL-153P	(CFL/LED)
	Leviton	Decora	DS-L06-1L
Decora		6672-L	(CFL/LED)
Decora		6674-L	(CFL/LED)
Decora		IPL06	(CFL/LED)

## PHOTOMETRIC DATA

LUMINOUS INTENSITY DISTRIBUTION DIAGRAM



www.jescolighting.com  
support@jescolighting.com  
Tech Support: 855.592.0029

15 Harbor Park Drive  
Port Washington, NY 11050  
Main Line: 800.527.7796  
Fax Line: 855.265.5768

219 South 6<sup>th</sup> Ave  
City of Industry, CA 91746  
Main Line: 855.654.0110  
Fax Line: 626.333.2955

Specifications subject to change without notice.

**WHILE SUPPLIES LAST**

# RELYENCE DISTRIBUTOR PROGRAM



**RE-NEO-RDR-4001-09-XXXX-WH**

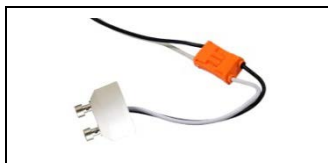
**LED DOWNLIGHTS**  
4" RETROFIT DOWNLIGHT

Type

Project

Catalog No.

## OPTIONAL ACCESSORIES



**RE-NEO-AC-GU24-CONN**

Optional GU24 Socket Adaptor