

RLF-3515-RTL

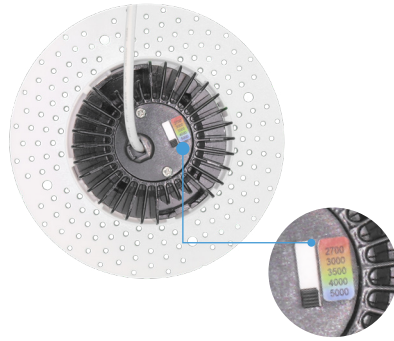
3" LED ROUND TRIMLESS
RECESSED DOWNLIGHT WITH MUD-IN FLANGE



Fixture Type
Project
Notes



RLF-3515-RTL



RLF-3515-RTL-SW5-WH complete set

LED Trimless Downlight series is designed for residential and commercial applications. With contemporary trimless look and an ultra shallow profile of merely 2-1/2" deep coupled with IC rating, this Slim Downlight is perfect for tight spaces such as soffits, insulated and suspended ceilings as well as installations directly below ceiling joists. The fixture installs flush to ceiling, it includes the Remote Driver and housing is not required for remodel applications. The mounting frame with hanger bars is optional for New Construction applications. The 5-level field selectable color temperature is available.



SPECIFICATIONS

INPUT VOLTAGE	120V AC
WATTAGE	15 W
LUMENS	1000 Lm
EFFICACY	67 Lm/W
CRI	90+
BEAM ANGLE	38°
DIMMING ¹	TRIAC Dimming
CUT-OUT	3 3/4" Ø
RATINGS	IC, Airtight
ENVIRONMENT	Indoor - Wet
CERTIFICATIONS	cETLus, T24 Compliant
LUMEN MAINTENANCE	50,000 hours
INCLUDES	Remote driver and mud-in flange
OPTIONAL	RLH-23354-NC-UNI Universal mounting plate
WARRANTY ²	5 years

¹ Effectively dim down to 10% / See other compatible dimmers on the next page

² See published warranty terms for detailed information

PERFORMANCE

CCT selectable via switch on heatsink

COLOR TEMPERATURE ³	LUMEN ⁴	WATTAGE	EFFICACY	CRI
SW5 (27/30/35/40/50K) ⁵	1000 Lm	15 W	67 Lm/W	90+

^{3 & 4} CCT within +/-10%

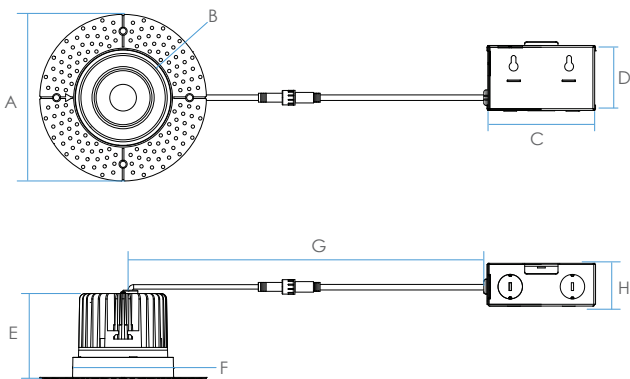
⁵ Switchable CCT

ORDERING INFO

Light Engine with LED with remote driver, and Mud-in Flange

MODEL RLF-3515-RTL	-	CCT / CRI SW5 SW5 - Switchable CCT (27/30/35/40/50) / 90 CRI	-	FINISH WH WH - White
------------------------------	---	--	---	-----------------------------------

TECHNICAL DRAWING



DIMENSIONS

A	6"	152 mm
B	3"	77 mm
C	4"	102 mm
D	2 1/2"	64 mm
E	3 1/2"	89 mm
F	3 1/2"	89 mm
G	12 1/2"	312 mm
H	1 1/2"	38 mm

COMPATIBLE DIMMERS

COOPER	SI06P
LEVITON	6621, 6672, IPL06-10Z
LUTRON	PD-6WCL, DVCL-153P,
	SFTU-5A3P, DMD-LE3-D,
	CTCL-153P, DV-600P