

RLF-4S12-SW5

4" SQUARE EDGELIT INDIRECT
LED RECESSED DOWNLIGHTS



Fixture Type
Project
Notes



RLF-4S12-SW5



RLF-4S12-SW5-WH complete set

LED Indirect Edgelit Recessed Downlight series is designed for residential and commercial applications. Its hidden light source bounces off the interior dome to emit a diffused soft functional light. One-piece die cast aluminum trim and heat sink construction ensures longevity of the LED with White integral dome and Plug-and-Play Remote Driver included. With an ultra shallow profile of merely 1½" deep coupled with IC and Airtight rating, this Indirect Downlight is perfect for tight spaces such as soffits, insulated and suspended ceilings as well as installations directly below ceiling joists. The fixture installs flush to ceiling with no Housing required for Remodel applications and New Construction Mounting Frame is optional. It is Triac dimmable.

ANODIZED ALUMINUM	120V AC	TRIAC DIMMABLE	100° BEAM	RECESSED TRIM	CANLESS	IC RATED	AIRTIGHT	CUT OUT 4 ¼" (108 mm)	INDOOR	L70 50,000 HOURS	5 YEAR WARRANTY	ETL US Intertek	T24 California Title 24
-------------------	---------	----------------	-----------	---------------	---------	----------	----------	-----------------------	--------	------------------	-----------------	-----------------	-------------------------

SPECIFICATIONS

INPUT VOLTAGE	120V AC
WATTAGE	12 W
LUMENS	620 Lm
EFFICACY	52 Lm/W
CRI	90+
BEAM ANGLE	110°
DIMMING ¹	TRIAC
CUT-OUT	4 ¼" x 4 ¼" (108 mm x 108 mm)

RATINGS	IC, Airtight
ENVIRONMENT	Indoor - Dry
CERTIFICATIONS	cETLus California Title 24 Compliant
LUMEN MAINTENANCE	50,000 hours
INCLUDES	Integrated white dome and remote driver
OPTIONAL	New construction frame
WARRANTY ²	5 years

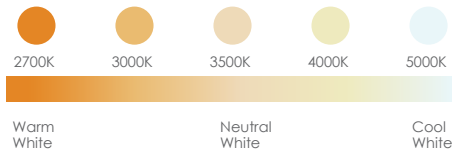
¹ Effectively dim down to 10%
² See published warranty terms for detailed information

PERFORMANCE

CCT selectable via switch on heatsink

COLOR TEMPERATURE ³	LUMEN ⁴	WATTAGE	EFFICACY	CRI
SW5 (27/30/35/40/50K)	620 Lm	12 W	52 Lm/W	90+

^{3&4} CCT within +/-10%



ORDERING INFO

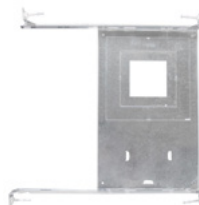
Light Engine with LED



MODEL
RLF-4S12-SW5-WH

OPTIONAL ACCESSORY

(Sold separately)



MODEL
RLH-346S-NC-UNI
Universal mounting plate with hanger bars.
For cutout sizes: 3", 4 ¼" or 6 ¼"

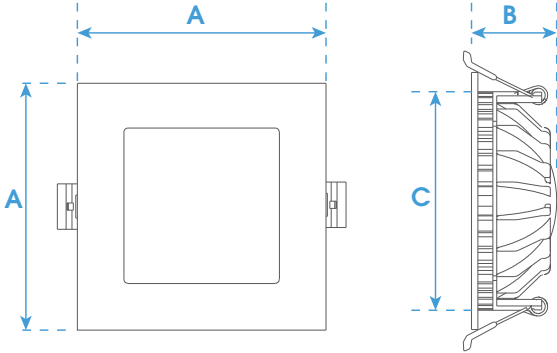
RLF-4S12-SW5

4" SQUARE EDGELIT INDIRECT
LED RECESSED DOWNLIGHTS



Fixture Type
Project
Notes

TECHNICAL DRAWING



DIMENSIONS		
A	4 3/4" x 4 3/4"	121 mm x 121 mm
B	1 5/8"	42 mm
C	4"	102 mm

COMPATIBLE DIMMERS

COOPER	SI06P
LEVITON	6621, 6672, IPL06-10Z
LUTRON	PD-6WCL, DVCL-153P, SFTU-5A3P, DMD-LE3-D, CTCL-153P, DV-600P