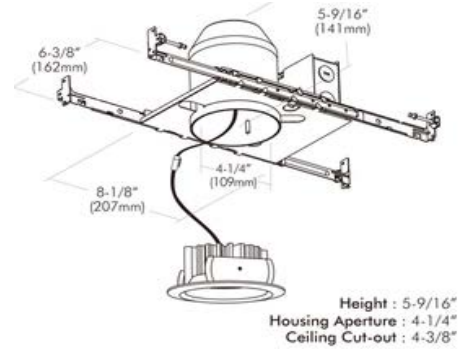




# RLH-4110N-ICA

**4" NEW CONSTRUCTION IC AIRTIGHT  
RESIDENTIAL LED RECESSED DOWNLIGHTS**

Type	
Project	
Catalog No.	



## DESCRIPTION

Designed for new construction applications, the dedicated 4" LED downlight housing with a 9 W LED light engine is available in an IC/airtight configuration. Incorporating JESCO's exclusive Driverless AC LED technology and patent pending inrush current protection, the high lumen COB LED produces 40% more lumen output than a 50W PAR 20 or MR16. Our LED light engine operates directly from an AC power source eliminating the need for an additional driver. Designed for wet, damp or dry locations, the unique design allows the fixture to be dimmed with most standard incandescent, electronic or magnetic low voltage and CFL/LED dimmers. Without the need for the traditional LED driver, years of reliable and energy saving service can be expected.

## FEATURES

- 560 lm from 9W
- CRI of 80+ and 90+
- Available in 2700K, 3500K and 4000K
- Advanced heat sink provides superior thermal management for 50,000 hours of operation with 70% lumen maintenance
- Patent pending inrush current protection
- Unique impact resistant polycarbonate lenses provides uniform light output with lamp like appearance
- Dimmable (see compatibility list)
- Integrated die cast aluminum trim and heat sink
- Single wall aluminum housing is gasketed for airtight applications and can be adjusted for ceilings up to 1 1/4" thick
- Mounting with 24" hanger bars accommodate both joist and T-Bar grid ceilings. Score lines allow "tool-less" shortening to 12" joist.
- Junction box has (5) 1/2" knockouts with true pry-out slots and (4) knockouts with romex cable clamps.
- Fits up to 1" ceiling depth

## SPECIFICATIONS

<b>Model</b>	<b>RLH-4110N-ICA</b>	
<b>Description</b>	IC/Airtight COB 4" LED Downlight	
<b>Input Voltage</b>	120 VAC 50/60Hz	
<b>CCT</b>	2700K / 3500K / 4000K	
<b>CRI</b>	90+	80+
<b>Wattage</b>	9W	10W
<b>Lumens<sup>■</sup></b>	560 lm	580 lm
<b>Efficacy</b>	62 lm/W	58 lm/W
<b>Beam Angle</b>	94°	102.7°
<b>Dimmable</b>	See compatibility list	
<b>Lamp Life*</b>	50,000 hours	
<b>Dimensions</b>	See Drawing Above	
<b>Environment</b>	Indoor – Wet / Damp / Dry	
<b>Certifications</b>		
<b>Warranty</b>	5 Years – see published warranty terms for detailed information.	

■ Based on 4000K

\* Exceeding the operating temperature values may damage the LEDs by reducing the lifespan, lumen output, and adversely impact color consistency. It is recommended adequate airflow and heatsinking be taken into consideration in the installation and application of this product. Improper thermal management may lead to premature product failure and void the warranty



## ORDERING INFORMATION - 4" LED DOWNLIGHT – NEW CONSTRUCTION

MODEL	SIZE	WATTAGE	HOUSING STYLE	HOUSING RATING	CCT / CRI	TRIM Finish
RLH	41 41 – 4 inch	10 9W (90CRI) 10W (80CRI)	N N – New Construction	ICA ICA – IC Rated / Airtight	2790 - 2700K / 90 CRI 3590 - 3500K / 90 CRI 4090 - 4000K / 90 CRI 2780 - 2700K / 80 CRI 3080 - 3000K / 80 CRI 4080 - 4000K / 80 CRI 3090 - 3000K / 90 CRI**	WHWH WHWH – Integral White Smooth Baffle / White Trim

\*\*Consult Factory  
Example: RLH-4110N-ICA-2790-WHWH



www.jescolighting.com  
support@jescolighting.com  
Tech Support: 855.592.0029

15 Harbor Park Drive  
Port Washington, NY 11050  
Main Line: 800.527.7796  
Fax Line: 855.265-5768

219 South 6<sup>th</sup> Ave  
City of Industry, CA 91746  
Main Line: 626.333.3661  
Fax Line: 626.333.2955

12/6/2017

Specifications subject to change without notice.



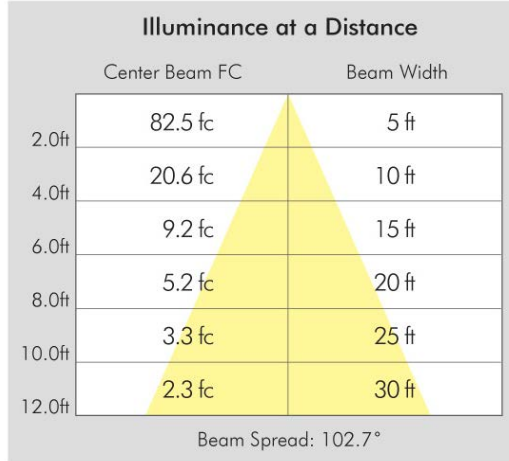
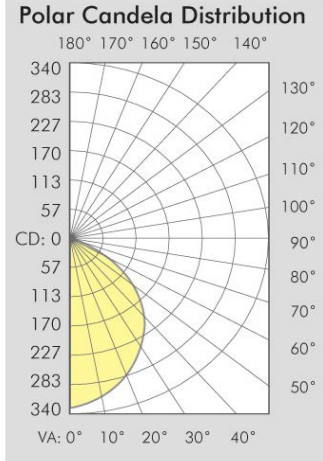
# RLH-4110N-ICA

4" NEW CONSTRUCTION IC AIRTIGHT  
RESIDENTIAL LED RECESSED DOWNLIGHTS

Type	
Project	
Catalog No.	

## PHOTOMETRIC INFORMATION

3000K / 80 CRI



## COMPATIBLE DIMMERS

MANUFACTURER	STYLE	MODEL NUMBER	TYPE
<b>Lutron</b>	Diva	DVCL-153P	(CFL/LED)
	Diva	DVELV-303P	(Electronic Low Voltage)
	Diva	DVLV-600P	(Magnetic Low Voltage)
	Maestro	MACL-153M	(CFL/LED)
	Maestro	MFR2-6DN-120	(Spec Grade)
	Skylark	SELV-300P	(Electronic Low Voltage)
	Skylark	S-600	(Incandescent)
	Skylark Contour	CTCL-153P	(CFL/LED)
<b>Leviton</b>	Acenti	Ate06-1LW	(Electronic Low Voltage)
	Trimatron	705	(Incandescent)
<b>Cooper</b>	Devine	D106P	(Incandescent/Magnet/Low Voltage)
<b>Pass &amp; Seymour</b>	Harmony		(Incandescent 600W)



www.jescolighting.com  
support@jescolighting.com  
Tech Support: 855.592.0029

15 Harbor Park Drive  
Port Washington, NY 11050  
Main Line: 800.527.7796  
Fax Line: 855.265-5768

219 South 6<sup>th</sup> Ave  
City of Industry, CA 91746  
Main Line: 626.333.3661  
Fax Line: 626.333.2955

12/6/2017

Specifications subject to change without notice.

Page 2 of 2