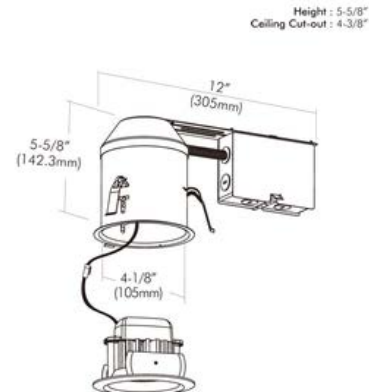




RLH-4110R-ICA

4" REMODEL IC AIRTIGHT
RESIDENTIAL LED RECESSED DOWNLIGHTS

Type	
Project	
Catalog No.	



DESCRIPTION

Designed for remodel applications, the dedicated 4" LED downlight housing with a 9 W LED light engine is available in an IC/airtight configuration. Incorporating JESCO's exclusive Driverless AC LED technology and patent pending inrush current protection the high lumen COB LED produces 40% more lumen output than a 50W PAR 20 or MR16. Our LED light engine operates directly from an AC power source eliminating the need for an additional driver. Designed for wet, damp or dry locations, the unique design allows the fixture to be dimmed with most standard incandescent, electronic or magnetic low voltage and CFL/LED dimmers. Without the need for the traditional LED driver years of reliable and energy saving service can be expected.

FEATURES

- 560 lm from 9W
- CRI of 80+ and 90+
- Available in 2700K, 3500K and 4000K
- Advanced heat sink provides superior thermal management for 50,000 hours of operation with 70% lumen maintenance
- Patent pending inrush current protection
- Unique impact resistant polycarbonate lenses provides uniform light output with lamp like appearance
- Dimmable (see compatibility list)
- Integrated die cast aluminum trim and heat sink
- Single wall aluminum housing is gasketed for airtight applications with 3 remodeling clips and can accommodate ceiling thickness between 1/2" – 5/8"
- Junction box has (5) 1/2" knockouts with true pry-out slots and (4) knockouts with romex cable clamps.
- Fits up to 1" ceiling depth

SPECIFICATIONS

Model	RLH-4110R-ICA	
Description	IC/Airtight COB 4" LED Downlight	
Input Voltage	120 VAC 50/60Hz	
CCT	2700K / 3500K / 4000K	
CRI	90+	80+
Wattage	9W	10W
Lumens ■	560 lm	580 lm
Efficacy	62 lm/W	58 lm/W
Beam Angle	94°	102.7°
Dimmable	See compatibility list	
Lamp Life*	50,000 hours	
Dimensions	See Drawing Above	
Environment	Indoor – Wet / Dry / Damp	
Certifications		
Warranty	5 Years – see published warranty terms for detailed information.	

■ Based on 4000K

* Exceeding the operating temperature values may damage the LEDs by reducing the lifespan, lumen output, and adversely impact color consistency. It is recommended adequate airflow and heatsinking be taken into consideration in the installation and application of this product. Improper thermal management may lead to premature product failure and void the warranty



ORDERING INFORMATION - 4" LED DOWNLIGHT – REMODEL

MODEL	SIZE	WATTAGE	HOUSING STYLE	HSG RATING	CCT / CRI	TRIM FINISH
RLH	41	10	R	ICA		WHWH
	41 – 4 inch	10 – 9W (90CRI) 10W (80CRI)	R – Remodel	ICA – IC Rated /Airtight	2790 - 2700K / 90 CRI 3590 - 3500K / 90 CRI 4090 - 4000K / 90 CRI 2780 - 2700K / 80 CRI 3080 - 3000K / 80 CRI 4080 - 4000K / 80 CRI 3090 - 3000K / 90 CRI**	WHWH – Integral White Smooth Baffle / White Trim

**Consult Factory
Example: RLH-4110R-ICA-3590-WHWH



www.jescolighting.com
support@jescolighting.com
Tech Support: 855.592.0029

15 Harbor Park Drive
Port Washington, NY 11040
Main Line: 800.527.7796
Fax Line: 855.265-5768

219 South 6th Ave
City of Industry, CA 91746
Main Line: 626.333.3661
Fax Line: 626.333.2955

12/6/2017

Specifications subject to change without notice.



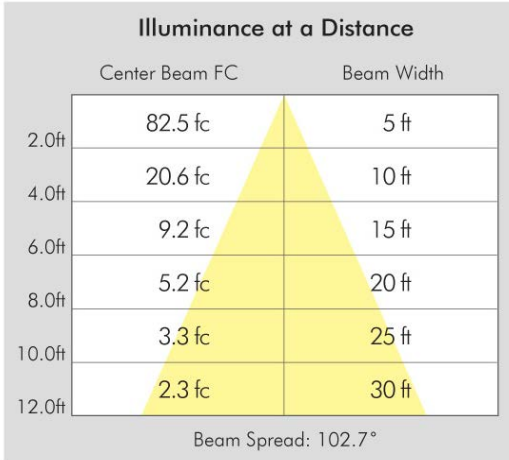
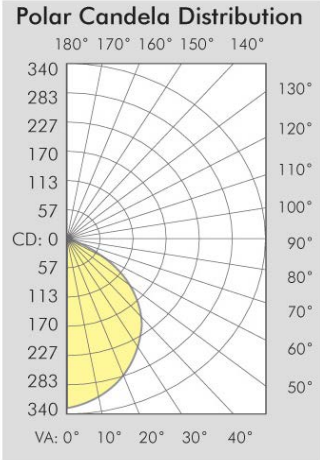
RLH-4110R-ICA

4" REMODEL IC AIRTIGHT
RESIDENTIAL LED RECESSED DOWNLIGHTS

Type	
Project	
Catalog No.	

PHOTOMETRIC INFORMATION

3000K / 80CRI



COMPATIBLE DIMMERS

MANUFACTURER	STYLE	MODEL NUMBER	TYPE
Lutron	Diva	DVCL-153P	(CFL/LED)
	Diva	DVELV-303P	(Electronic Low Voltage)
	Diva	DVLV-600P	(Magnetic Low Voltage)
	Maestro	MACL-153M	(CFL/LED)
	Maestro	MFR2-6DN-120	(Spec Grade)
	Skylark	SELV-300P	(Electronic Low Voltage)
	Skylark	S-600	(Incandescent)
	Skylark Contour	CTCL-153P	(CFL/LED)
Leviton	Acenti	Ate06-1LW	(Electronic Low Voltage)
	Trimatron	705	(Incandescent)
Cooper	Devine	D106P	(Incandescent/Magnet/Low Voltage)
Pass & Seymour	Harmony		(Incandescent 600W)



www.jescolighting.com
support@jescolighting.com
Tech Support: 855.592.0029

15 Harbor Park Drive
Port Washington, NY 11040
Main Line: 800.527.7796
Fax Line: 855.265-5768

219 South 6th Ave
City of Industry, CA 91746
Main Line: 626.333.3661
Fax Line: 626.333.2955

12/6/2017

Specifications subject to change without notice.