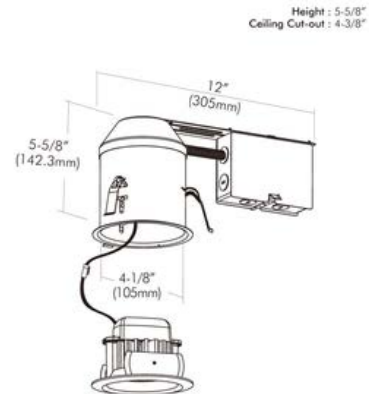




RLH-4409R-ICA

4" REMODEL IC AIRTIGHT
RESIDENTIAL LED RECESSED DOWNLIGHTS

Type	
Project	
Catalog No.	



DESCRIPTION

Designed for remodel applications, this 4" LED downlight housing and 9W LED light engine is available in an IC/airtight configuration. The high lumen LED module exceeds the light output of a 50W PAR20. Designed for indoor damp or dry locations, the unique design allows the fixture to be dimmed down to 5% by most standard incandescent dimmers. The available round or square multi-grooved baffle can be ordered in white, black or satin nickel finishes are easily interchangeable.

FEATURES

- 700 lm from 9 W
- High Efficacy of 77 Lm/W
- CRI of 90+
- Available in 2700K, 3500K and 4000K
- Advanced heat sink provides superior thermal management for 50,000 hours of operation with 70% lumen maintenance
- Unique impact resistant polycarbonate lenses provides uniform light output with lamp-like appearance
- Dimmable (see compatibility list)
- Die cast aluminum heat sink allows for optimum heat dissipation
- Single wall aluminum housing is gasketed for airtight applications with 3 remodeling clips and can accommodate ceiling thickness between 1/2" – 5/8"
- Junction box has (5) 1/2" knockouts with true pry-out slots and (4) knockouts with romex cable clamps.
- Fits up to 1" ceiling depth

SPECIFICATIONS

Model	RLH-4409R-ICA
Description	IC/Airtight 4" LED Downlight
Input Voltage	120 VAC 50/60Hz
Wattage	9W
CCT	2700K / 3500K / 4000K
Lumens ■	700 lm
Efficacy	77 lm/W
CRI	90
Power Factor	>0.90
Operating Temperature	-25°C to +45°C
Dimmable	See compatibility list
Beam Angle	90°
Lamp Life*	50,000 hours
Dimensions	See drawing
Environment	Indoor – Dry / Damp
Certifications	
Warranty	5 Years – see published warranty terms for detailed information.

■ Based on 4000K

* Exceeding the operating temperature values may damage the LEDs by reducing the lifespan, lumen output, and adversely impact color consistency. It is recommended adequate airflow and heatsinking be taken into consideration in the installation and application of this product. Improper thermal management may lead to premature product failure and void the warranty

ORDERING INFORMATION - 4" LED DOWNLIGHT – REMODEL

MODEL	SIZE	WATTAGE	HOUSING STYLE	HOUSING RATING	CCT / CRI
RLH	44	09	R	ICA	
	44 – 4 inch	09 – 9 Watts	R – Remodel	ICA – IC Rated / Airtight	2790 - 2700K / 90 CRI 3590 - 3500K / 90 CRI 4090 - 4000K / 90 CRI 3090 - 3000K / 90 CRI**

**Consult Factory

Note: Round and square Baffle/Trim sold separately
Example: RLH-4409R-ICA-2790 + RLT-R4402-WH



www.jescolighting.com
support@jescolighting.com
Tech Support: 855.592.0029

15 Harbor Park Drive
Port Washington, NY 11050
Main Line: 800.527.7796
Fax Line: 855.265-5768

219 South 6th Ave
City of Industry, CA 91746
Main Line: 626.333.3661
Fax Line: 626.333.2955

6/21/2018

Specifications subject to change without notice.



RLH-4409R-ICA

4" REMODEL IC AIRTIGHT
RESIDENTIAL LED RECESSED DOWNLIGHTS

Type	
Project	
Catalog No.	

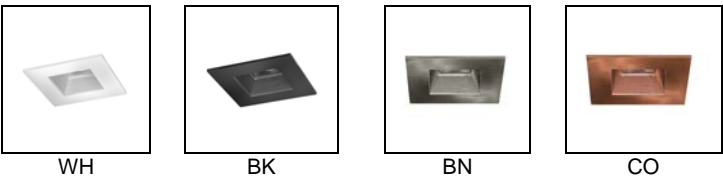
4" ROUND CAST ALUMINUM BAFFLE/TRIM (Sold separately)



Ordering Information

MODEL	-	BAFFLE & TRIM FINISH
RLT-R4402	-	
		WH - White
		BK - Black
		BN - Brushed Nickel
		CO - Copper

4" SQUARE CAST ALUMINUM BAFFLE/TRIM (Sold separately)

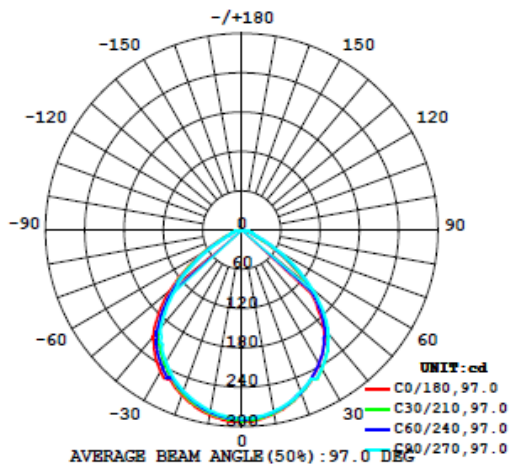


Ordering Information

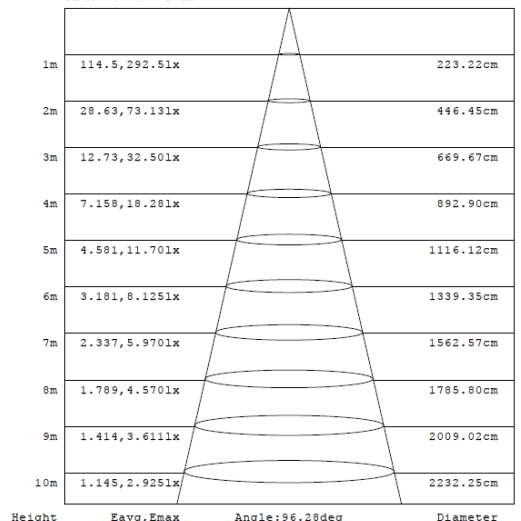
MODEL	-	BAFFLE & TRIM FINISH
RLT-R4406	-	
		WH - White
		BK - Black
		BN - Brushed Nickel
		CO - Copper

PHOTOMETRIC INFORMATION

LUMINOUS INTENSITY DISTRIBUTION DIAGRAM



Flux out: 476.1 lm



Note: The Curves indicate the illuminated area and the average illumination when the luminaire is at different distance.

COMPATIBLE DIMMERS

MANUFACTURER	STYLE	MODEL NUMBER	TYPE
Lutron	Caseta	PD-6WCL	(CFL/LED)
	Maestro	MACL-153M	(CFL/LED)
	Ariadni/Toggler	TGCL-153P	(CFL/LED)
	Skylark Contour	CTCL-153P	(CFL/LED)
Leviton	Decora	DSL06-1LZ	(CFL/LED)
	IlumaTech	IPL06-10Z	(CFL/LED)
	SureSlide	6672-1LW	(CFL/LED)
	SureSlide	6674-P0W	(CFL/LED)



www.jescolighting.com
support@jescolighting.com
Tech Support: 855.592.0029

15 Harbor Park Drive
Port Washington, NY 11050
Main Line: 800.527.7796
Fax Line: 855.265-5768

219 South 6th Ave
City of Industry, CA 91746
Main Line: 626.333.3661
Fax Line: 626.333.2955

6/21/2018

Specifications subject to change without notice.