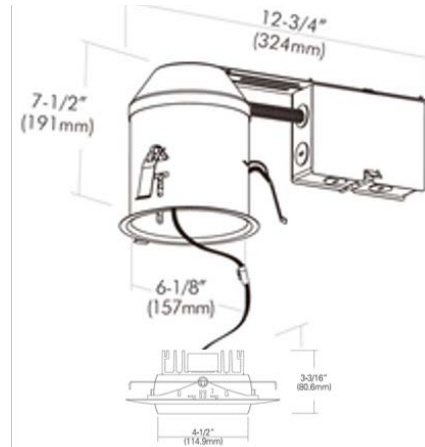




RLH-6412R-ICA

6" REMODEL IC AIRTIGHT
RESIDENTIAL LED RECESSED DOWNLIGHTS

Type	
Project	
Catalog No.	



DESCRIPTION

Designed for remodel applications, the 6" LED downlight housing and 12.6W LED light engine is available in an IC/airtight configuration. The gimbal feature allows the light to be aimed exactly where it is needed. The high lumen LED module exceeds the light output of a 65W PAR 38 or 23W CFL. The IC rated air tight housing is ideal for indoor wet, damp or dry locations, and the unique design allows the fixture to be dimmed with most standard incandescent or electronic dimmers. Without the need for a traditional driver, years of reliable and energy saving service can be expected.

FEATURES

- 750 lm from 12.5W
- CRI of 90+
- Available in 2700K, 3500K and 4000K
- Advanced, integrated heat sink provides superior thermal management for 50,000 hours of operation with 70% lumen maintenance
- Unique impact resistant polycarbonate lenses provides uniform light output with lamp like appearance
- Dimmable (see compatibility list)
- Die-cast aluminum heat sink allows for optimum heat dissipation
- Single wall aluminum housing is gasketed for airtight applications with 3 remodeling clips and can accommodate ceiling thickness between 1/2" – 5/8"
- Junction box has (5) 1/2" knockouts with true pry-out slots and (4) knockouts with romex cable clamps.
- Fits up to 1" ceiling depth

SPECIFICATIONS

Model	RLH-6412R-ICA
Description	IC/Airtight 6" LED Gimbal Downlight
Input Voltage	120 VAC 50/60Hz
Wattage	12.5W
CCT	2700K / 3500K / 4000K
Lumens ■	750 lm
Efficacy	60 lm/W
CRI	90+
Dimmable**	See compatibility list
Beam Angle	73.9°
Lamp Life	50,000 hours
Dimensions	See drawing
Environment	Indoor – Wet / Dry / Damp
Certifications	ETL Intertek
Warranty	5 Years – see published warranty terms for detailed information.

■ Based on 4000K

* Exceeding the operating temperature values may damage the LEDs by reducing the lifespan, lumen output, and adversely impact color consistency. It is recommended adequate airflow and heatsinking be taken into consideration in the installation and application of this product. Improper thermal management may lead to premature product failure and void the warranty

ORDERING INFORMATION - 6" LED DOWNLIGHT – REMODEL

MODEL	SIZE	WATTAGE	HOUSING STYLE	HOUSING RATING	CCT / CRI	HOUSING / TRIM FINISH
RLH	64	12	R	ICA	2790 - 2700K / 90 CRI 3590 - 3500K / 90 CRI 4090 - 4000K / 90 CRI 3090 - 3000K / 90 CRI**	WHWH
	64 – 6 inch	12 – 12.5 Watts	R – Remodel	ICA – IC Rated / Airtight		WHWH – White Gimbal / White Trim

**Consult Factory. Example: RLH-6412R-ICA-2790-WHWH



www.jescolighting.com
support@jescolighting.com
Tech Support: 855.592.0029

15 Harbor Park Drive
Port Washington, NY 11050
Main Line: 800.527.7796
Fax Line: 855.265-5768

219 South 6th Ave
City of Industry, CA 91746
Main Line: 626.333.3661
Fax Line: 626.333.2955

Rev
12/6/2017

Specifications subject to change without notice.

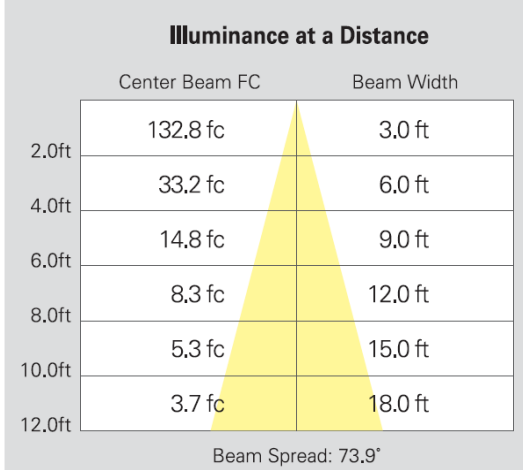
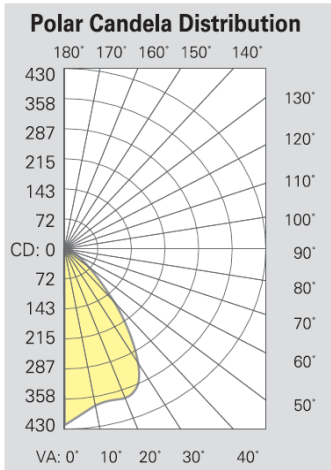


RLH-6412R-ICA

6" REMODEL IC AIRTIGHT
RESIDENTIAL LED RECESSED DOWNLIGHTS

Type	
Project	
Catalog No.	

PHOTOMETRIC INFORMATION



COMPATIBLE DIMMERS

MANUFACTURER	STYLE	MODEL NUMBER	TYPE
Lutron	Diva	DVCL-153P	(CFL/LED)
	Diva	DVELV-303P	(Electronic Low Voltage)
	Diva	DVLV-600P	(Magnetic Low Voltage)
	Maestro	MACL-153M	(CFL/LED)
	Maestro	MFR2-6DN-120	(Spec Grade)
	Skylark	SELV-300P	(Electronic Low Voltage)
	Skylark	S-600	(Incandescent)
	Skylark Contour	CTCL-153P	(CFL/LED)
Leviton	Acenti	Ate06-1LW	(Electronic Low Voltage)
	Trimatron	705	(Incandescent)
Cooper	Devine	D106P	(Incandescent/Magnet/Low Voltage)
Pass & Seymour	Harmony		(Incandescent 600W)



www.jescolighting.com
support@jescolighting.com
Tech Support: 855.592.0029

15 Harbor Park Drive
Port Washington, NY 11050
Main Line: 800.527.7796
Fax Line: 855.265-5768

219 South 6th Ave
City of Industry, CA 91746
Main Line: 626.333.3661
Fax Line: 626.333.2955

Rev
12/6/2017

Specifications subject to change without notice.