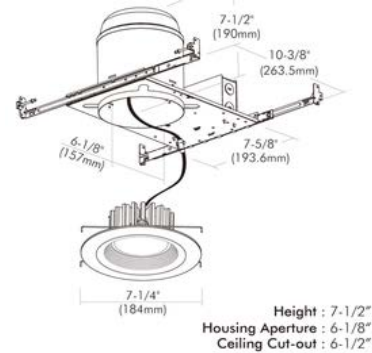




# RLH-6618N-ICA

**6" NEW CONSTRUCTION IC AIRTIGHT  
RESIDENTIAL LED RECESSED DOWNLIGHTS**

Type	
Project	
Catalog No.	



## DESCRIPTION

Designed for new construction applications, the dedicated 6" LED downlight housing and 18 W LED light engine is available in an IC/airtight configuration. The high lumen 18 W LED module produces a similar light output to that of a 150W PAR 38. Designed for damp or dry locations, the unique design allows the fixture to be dimmed down to 5% with most standard incandescent dimmers. The available round or square multi-groove baffle and trim can be ordered in white, black or satin nickel finishes are easily interchangeable.

## FEATURES

- 1450 lm from 18 W
- High Efficacy of 80.5 Lm/W
- CRI of 90+
- Available in 2700K, 3500K and 4000K
- Advanced heat sink provides superior thermal management for 50,000 hours of operation with 70% lumen maintenance
- Unique impact resistant polycarbonate lenses provides uniform light output with lamp-like appearance
- Dimmable (see compatibility list)
- Beam Angle - 90°
- Integrated die-cast aluminum trim and heat sink
- Single wall aluminum housing is gasketed for airtight applications with 3 remodeling clips and can accommodate ceiling thickness between 1/2" – 5/8"
- Junction box has (5) 1/2" knockouts with true pry-out slots and (4) knockouts with romex cable clamps.
- Fits up to 1" ceiling depth

## SPECIFICATIONS

<b>Model</b>	<b>RLH-6618N-ICA</b>
<b>Description</b>	<b>IC/Airtight COB 6" LED Downlight</b>
<b>Input Voltage</b>	<b>120 VAC 50/60Hz</b>
<b>Wattage</b>	<b>18 W</b>
<b>CCT</b>	<b>2700K / 3500K / 4000K</b>
<b>Lumens</b> ■	<b>1450 lm</b>
<b>Efficacy</b>	<b>80 lm/W</b>
<b>CRI</b>	<b>90</b>
<b>Power Factor</b>	<b>&gt;0.90</b>
<b>Operating Temperature</b>	<b>-25°C to +45°C</b>
<b>Dimmable</b>	<b>See compatibility list</b>
<b>Beam Angle</b>	<b>90°</b>
<b>Lamp Life*</b>	<b>50,000 hours</b>
<b>Dimensions</b>	<b>Ceiling Cutout: 6 1/2"</b>
<b>Environment</b>	<b>Indoor – Dry / Damp</b>
<b>Certifications</b>	
<b>Warranty</b>	<b>5 Years – see published warranty terms for detailed information.</b>

■ Based on 4000K

\* Exceeding the operating temperature values may damage the LEDs by reducing the lifespan, lumen output, and adversely impact color consistency. It is recommended adequate airflow and heatsinking be taken into consideration in the installation and application of this product. Improper thermal management may lead to premature product failure and void the warranty

## ORDERING INFORMATION - 6" LED DOWNLIGHT – NEW CONSTRUCTION

MODEL	SIZE	WATTAGE	HOUSING STYLE	HOUSING RATING	CCT / CRI
RLH	66	18	N	ICA	
	66 – 6 inch	18 – 18 Watts	N – New Construction	ICA– IC Rated Airtight	2790 - 2700K / 90 CRI 3590 - 3500K / 90 CRI 4090 - 4000K / 90 CRI 3090 - 3000K / 90 CRI**

**Note:**  
Need to order trim separately

\*\*Consult Factory

**Note:** Round and square Baffle/Trim sold separately  
Example: **RLH-6618N-ICA-2790 + RLT-R6602-WH**



www.jescolighting.com  
support@jescolighting.com  
Tech Support: 855.592.0029

15 Harbor Park Drive  
Port Washington, NY 11050  
Main Line: 800.527.7796  
Fax Line: 855.265-5768

219 South 6<sup>th</sup> Ave  
City of Industry, CA 91746  
Main Line: 626.333.3661  
Fax Line: 626.333.2955

12/6/2017

Specifications subject to change without notice.



# RLH-6618N-ICA

6" NEW CONSTRUCTION IC AIRTIGHT  
RESIDENTIAL LED RECESSED DOWNLIGHTS

Type	
Project	
Catalog No.	

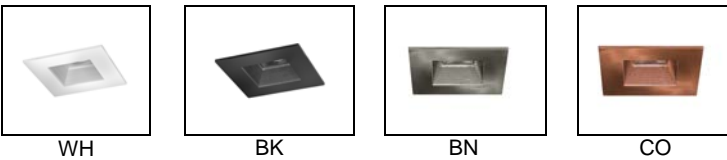
## 6" ROUND CAST ALUMINUM BAFFLE/TRIM (Sold separately)



### Ordering Information

<b>MODEL</b>	-	<b>BAFFLE &amp; TRIM FINISH</b>
RLT-R6602	-	
		<b>WH</b> - White Baffle/Trim <b>BK</b> - Black Baffle/Trim <b>BN</b> - Brushed Nickel Baffle/Trim <b>CO</b> - Copper Baffle/Trim

## 6" SQUARE CAST ALUMINUM BAFFLE/TRIM (Sold separately)

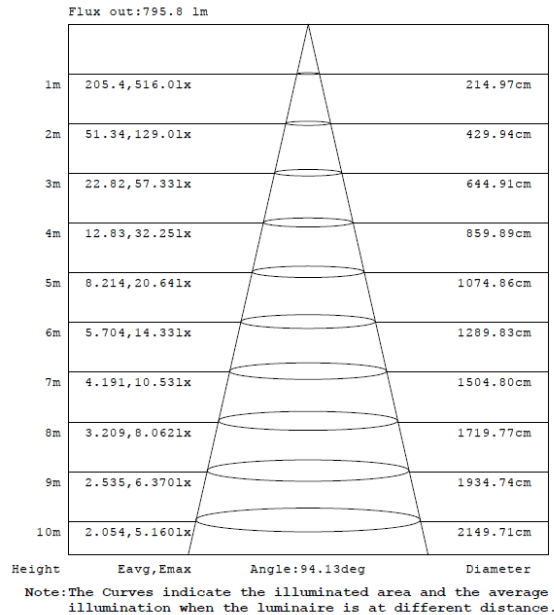
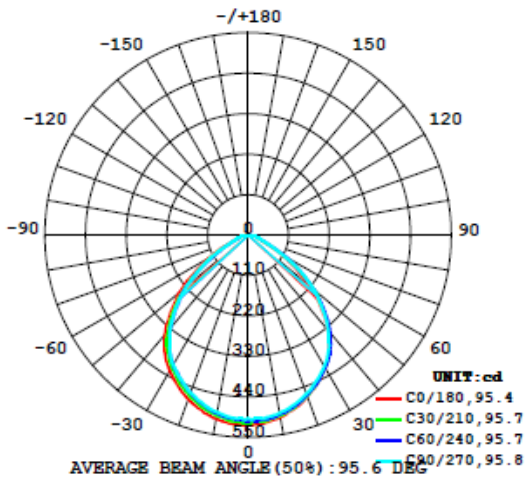


### Ordering Information

<b>MODEL</b>	-	<b>BAFFLE &amp; TRIM FINISH</b>
RLT-R6606	-	
		<b>WH</b> - White Baffle/Trim <b>BK</b> - Black Baffle/Trim <b>BN</b> - Brushed Nickel Baffle/Trim <b>CO</b> - Copper Baffle/Trim

## PHOTOMETRIC INFORMATION

### LUMINOUS INTENSITY DISTRIBUTION DIAGRAM



## COMPATIBLE DIMMERS

MANUFACTURER	STYLE	MODEL NUMBER	TYPE
Lutron	Caseta	PD-6WCL	(CFL/LED)
	Maestro	MACL-153M	(CFL/LED)
	Ariadni/Toggler	TGCL-153P	(CFL/LED)
	Skylark Contour	CTCL-153P	(CFL/LED)
Leviton	Decora	DSL06-1LZ	(CFL/LED)
	IlumaTech	IPL06-10Z	(CFL/LED)
	SureSlide	6672-1LW	(CFL/LED)
	SureSlide	6674-P0W	(CFL/LED)



www.jescolighting.com  
support@jescolighting.com  
Tech Support: 855.592.0029

15 Harbor Park Drive  
Port Washington, NY 11050  
Main Line: 800.527.7796  
Fax Line: 855.265-5768

219 South 6<sup>th</sup> Ave  
City of Industry, CA 91746  
Main Line: 626.333.3661  
Fax Line: 626.333.2955

12/6/2017

Specifications subject to change without notice.