



RLH-P351-15

**3 1/2" ARCHITECTURAL (IC & NON-IC)
PREMIER LED RECESSED DOWNLIGHTS**

Type	
Project	
Catalog No.	



**N- NEW CONSTRUCTION
FLAT FRAME
(Shown with fixture and trim)**



**NIC- NEW CONSTRUCTION
IC RATED FLAT FRAME
(Shown with fixture and trim)**

DESCRIPTION

Designed for new construction architectural applications, this 3 1/2" architectural grade LED downlight is available in 15W in IC and Non-IC configurations. It is designed with a high lumen, COB LED, and available with three different beam angles, and four different trims – fixed, aimable beam, aimable pinhole and wallwash. The integrated high-efficacy LED, combined with the dimmable driver and high-transmission optical diffuser ensures a uniform light output.


FEATURES



- Trims available in All White or White with Haze reflector and allow for three different lighting applications:
 - Fixed Downlight Trim** – downward directed light
 - Aimable Beam Trim** – allows for 0-30° tilt of light engine and 365° rotation with a position lock
 - Aimable Pinhole Light Engine/Trim** – 30° aimable pinhole light engine and round pinhole trim
 - Wall Washer Trim** – angle-cut, sloped reflector with molded linear spread lens for maximum uniformity
- 1129 lumens from 15W at 3500K and 90CRI (for fixed trim)
- High Efficacy – 75.3 lm/W at 3500K and 90CRI (for fixed trim)
- Available in 2700K, 3000K, 3500K and 4000K CCTs
- Advanced heat sink provides superior thermal management for 50,000 hours of operation with 70% lumen maintenance
- Driver Power Factor >.9, THD <20%
- Dimmable (see compatibility list)
- Die cast aluminum heat sink
- Integral thermal protector to sense over-temperature or internal failure
- Junction box has (5) 1/2" knockouts with true pry-out slots and (4) knockouts with romex cable clamps
- Fixtures available in three beam angles. Reflectors can be field changeable.
- Remote Emergency Battery available**
- Fits up to 1" ceiling depth

* Exceeding the operating temperature values may damage the LEDs by reducing the lifespan, lumen output, and adversely impact color consistency. It is recommended adequate airflow and heatsinking be taken into consideration in the installation and application of this product. Improper thermal management may lead to premature product failure and void the warranty.

SPECIFICATIONS

Model	RLH-P351
Description	Premier 3 1/2" LED Downlight
Input Voltage	120-277V AC
Wattage	15W
CCT	2700K / 3000K / 3500K / 4000K
CRI	90+
Dimmable	See compatibility list
Beam Angle	15°, 24°, 38°
Lamp Life*	50,000 hours
Power Factor	>0.9
Environment	Indoor – Dry / Damp
Ceiling Cutout	4 1/16" diameter
Certifications	 C US
Warranty	5 Years – see published warranty terms for detailed information.

LUMEN DATA

Color Temp	Multiplier	Lumens	Efficacy (lm/W)
2700K / 90CRI (For fixed trim)	0.935	1055.6	70.4
3000K / 90CRI (For fixed trim)	0.935	1055.6	70.4
3500K / 90CRI (For fixed trim)	Tested	1129	75.3
4000K / 90CRI (For fixed trim)	1.076	1214.8	81
3500K / 90CRI (For aimable trim)**	Tested	896.8	59.8

** measured at 30 degree off vertical



www.jescolighting.com
support@jescolighting.com
Tech Support: 855.592.0029

15 Harbor Park Drive
Port Washington, NY 11040
Main Line: 800.527.7796
Fax Line: 855.265-5768

219 South 6th Ave
City of Industry, CA 91746
Main Line: 626.333.3661
Fax Line: 626.333.2955

3/9/2017

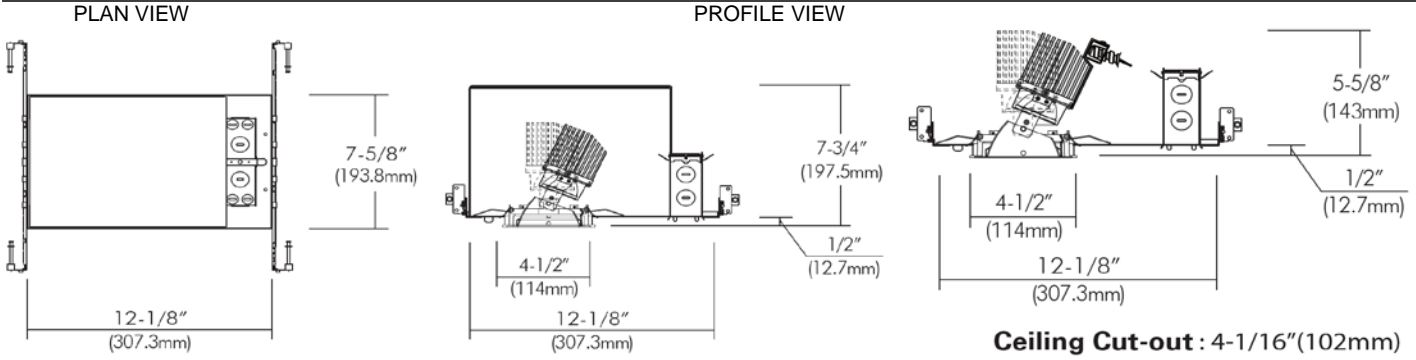


RLH-P351-15

**3 1/2" ARCHITECTURAL (IC & NON-IC)
PREMIER LED RECESSED DOWNLIGHTS**

Type	
Project	
Catalog No.	

FIXTURE DIMENSIONS



ORDERING INFORMATION - 3.5" LED DOWNLIGHT – NEW CONSTRUCTION

MODEL	SIZE	WATTAGE	MOUNTING FRAME	OPTIONAL EMERGENCY BATTERY**
RLH	P351 – 3.5" Round Premier	15 – 15W	N – Non-IC Rated Flat Frame NIC– IC Rated Flat Frame with Box	EM – Optional Emergency Battery

**Consult Factory

Note: Reflectors and Trims specified and sold separately
Remote Emergency Battery available, consult factory for details
Custom finish available, consult factory for details

Example: **RLH-P351-15-N + RLET-P351FX-15-2790-N-HZWH**

FIXED DOWNLIGHT TRIM (Specified and Sold Separately)

Downward directed light



Ordering Information

MODEL	CCT / CRI	BEAM ANGLE	FINISH
RLET-P351FX-15	2790 - 2700K / 90 CRI 3090 - 3000K / 90 CRI 3590 - 3500K / 90 CRI 4090 - 4000K / 90 CRI	N – 15° M – 24° W – 38°	HZWH – Haze Reflector/White Trim WHWH – White Reflector/White Trim

**Consult Factory for 80 CRI



www.jescolighting.com
support@jescolighting.com
Tech Support: 855.592.0029

15 Harbor Park Drive
Port Washington, NY 11040
Main Line: 800.527.7796
Fax Line: 855.265-5768

219 South 6th Ave
City of Industry, CA 91746
Main Line: 626.333.3661
Fax Line: 626.333.2955

3/9/2017

Specifications subject to change without notice.



RLH-P351-15

**3 1/2" ARCHITECTURAL (IC & NON-IC)
PREMIER LED RECESSED DOWNLIGHTS**

Type	
Project	
Catalog No.	

AIMABLE BEAM TRIM (Specified and Sold Separately)

Allows for 0-30° tilt of light engine and 365° rotation with a position lock



HZWH WHWH

Ordering Information

MODEL	CCT / CRI	BEAM ANGLE	FINISH
RLET-P351AB-15	2790 - 2700K / 90 CRI 3090 - 3000K / 90 CRI 3590 - 3500K / 90 CRI 4090 - 4000K / 90 CRI	N – 15° M – 24° W – 38°	HZWH – Haze Reflector/White Trim WHWH – White Reflector/White Trim

**Consult Factory for 80 CRI

AIMABLE PINHOLE TRIM (Specified and Sold Separately)

Allows for 0-30° tilt of light engine and 365° rotation with a position lock



WHWH

Ordering Information

MODEL	CCT / CRI	BEAM ANGLE	FINISH
RLET-P351AP-15	2790 - 2700K / 90 CRI 3090 - 3000K / 90 CRI 3590 - 3500K / 90 CRI 4090 - 4000K / 90 CRI	P - Pinhole	WHWH – White Aperture/White Trim

**Consult Factory for 80 CRI

WALL WASHER TRIM (Specified and Sold separately)

Angle-cut, sloped reflector with molded linear spread lens for maximum uniformity



HZWH WHWH

Ordering Information

MODEL	CCT / CRI	BEAM ANGLE	FINISH
RLET-P351WW-15	2790 - 2700K / 90 CRI 3090 - 3000K / 90 CRI 3590 - 3500K / 90 CRI 4090 - 4000K / 90 CRI	F - Wallwash	HZWH – Haze Reflector/White Trim WHWH – White Reflector/White Trim

**Consult Factory for 80 CRI



www.jescolighting.com
support@jescolighting.com
Tech Support: 855.592.0029

15 Harbor Park Drive
Port Washington, NY 11040
Main Line: 800.527.7796
Fax Line: 855.265-5768

219 South 6th Ave
City of Industry, CA 91746
Main Line: 626.333.3661
Fax Line: 626.333.2955

3/9/2017

Specifications subject to change without notice.

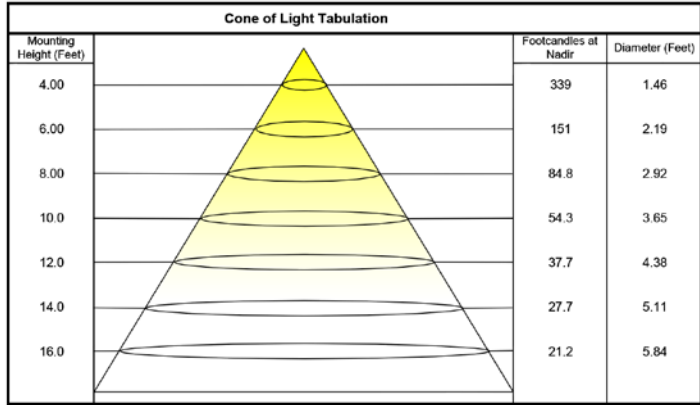


RLH-P351-15

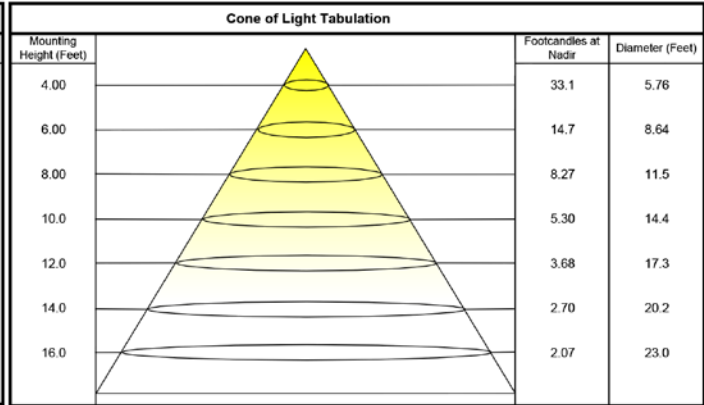
**3 1/2" ARCHITECTURAL (IC & NON-IC)
PREMIER LED RECESSED DOWNLIGHTS**

Type	
Project	
Catalog No.	

PHOTOMETRIC DATA



For RLET-P351FX-15-3590-M-WHWH



For RLET-P351AB-15-3590-M-HZWH (measured at 30 degree off vertical)

COMPATIBLE DIMMERS

MANUFACTURER	STYLE	MODEL NUMBER	TYPE
Lutron	Diva	DVCL-153P	(CFL/LED)
	Diva	DVELV-303P	(Electronic Low Voltage)
	Diva	DVTV	(0-10V)
	Diva	DV-603P	(Incandescent)
	Diva	DV-600P	(Incandescent)
	Nova	NFTV	(0-10V)
	Maestro	MAW-600	(Incandescent)
	Maestro	MAELV-600	(Electronic Low Voltage)
	Lumea	LG-600P	(Incandescent)
	Skylark	SELV-300P	(Electronic Low Voltage)
	Skylark	S-603PG	(Incandescent)
	Skylark	S-600P	(Incandescent)
	Toggler/Ariadni	TGCL-153P	(CFL/LED)
Leviton	Trimatron	6683-IW	(Incandescent)
	IllumaTech	IPI06-1LZ	(Incandescent)
	IllumaTech	IP710-DL	(0-10V)
	IllumaTech	IPE04	(Electronic Low Voltage)
	SureSlide	6631	(Incandescent)
	SureSlide	6633	(Incandescent)
SureSlide	6673-10W	(CFL and Incandescent)	
Cooper	Devine	DLC03P	(CFL/LED)
	Decorator	DAL06P	(CFL/LED)
	SKYE	SLC03P	(CFL/LED)
Lightolier		ZP260QEWH	(Electronic Low Voltage)



www.jescolighting.com
support@jescolighting.com
Tech Support: 855.592.0029

15 Harbor Park Drive
Port Washington, NY 11040
Main Line: 800.527.7796
Fax Line: 855.265-5768

219 South 6th Ave
City of Industry, CA 91746
Main Line: 626.333.3661
Fax Line: 626.333.2955

3/9/2017

Specifications subject to change without notice.