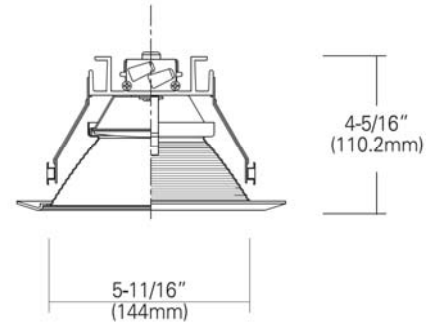
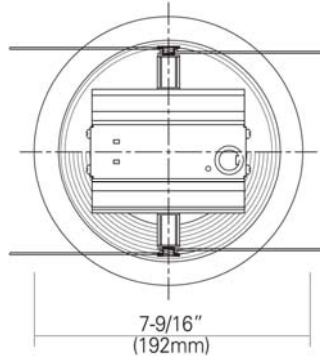




RLR-6012

6" LED RETROFIT MODULE
LED RECESSED DOWNLIGHTS

Type	
Project	
Catalog No.	




DESCRIPTION

Easily convert any 6" incandescent recessed downlight to the latest in LED technology without special tools or rewiring. Incorporating our high-efficacy DOB AC LED technology, the high lumen 13.1W module produces a similar light output to that of a 65W PAR 38 or 23W CFL. Our LED retrofit module operates directly from an AC source, eliminating the need for an additional driver. The unit is provided with a detachable E26 Base adapter that attaches into an existing E26 incandescent or optional GU24 socket. These lights are suitable for use in either IC/airtight or non-IC applications and in wet, damp or dry environments. This retrofit module is designed for use with JESCO's 6" housings (including shallow), and is ETL classified for most competitor housings currently on the market. It can be dimmed by most standard incandescent and electronic low voltage dimmers. Without the need for the traditional LED driver, years of reliable and energy saving service can be expected.

FEATURES

- 712 lm from 12.9W
- High Efficacy of 55 Lm/W
- High CRI of 80+
- Available in 2700K, 3000K and 4000K
- Advanced heat sink provides superior thermal management for 50,000 hours of operation with 70% lumen maintenance
- Unique impact resistant polycarbonate lenses provides uniform light output with lamp-like appearance
- Dimmable 10-100% with most leading or trailing edge incandescent or low voltage dimmers
- Securely mounts into housing with torsion springs.
- Integrated die cast aluminum trim and heat sink
- Optional GU24 connector cable for fluorescent housings
- Available with reflectors with trims or baffles with trims

SPECIFICATIONS

Model	RLR-6012
Description	6" LED Retrofit Module
Input Voltage	120 VAC 50/60Hz
Wattage	12.9W
CCT	2700K / 3000K / 4000K
Lumens*	712 lm
Efficacy	55 lm/W
CRI	80+
Dimmable**	10-100%: Triac, ELV,MLV, CFL/LED
Beam Angle	74.9°
Lamp Life	50,000 hours
Dimensions	See Drawing Above
Environment	Indoor – Wet / Dry / Damp
Certifications	ETL Listed, ETL certified, Energy Star  Intertek
Warranty	5 Years – see published warranty terms for detailed information.

* Based on 4000K

*Exceeding the operating temperature values may damage the LEDs by reducing the lifespan, lumen output, and adversely impact color consistency. It is recommended adequate airflow and heatsinking be taken into consideration in the installation and application of this product. Improper thermal management may lead to premature product failure and void the warranty

ORDERING INFORMATION - 6" LED RETROFIT MODULE

MODEL	SIZE	WATTAGE	CCT / CRI
RLR	60	12	
	60 – 6 inches	12 – 12.9 Watts	
			2780 - 2700K / 80 CRI 3080 - 3000K / 80 CRI 4080 – 4000K / 80 CRI

**Consult Factory

Note:
Reflectors and Trims sold separately

Example: RLR-6012-2780-WHWH



www.jescolighting.com
support@jescolighting.com
Tech Support: 855.592.0029

15 Harbor Park Drive
Port Washington, NY 11050
Main Line: 800.527.7796
Fax Line: 855.265-5768

219 South 6th Ave
City of Industry, CA 91746
Main Line: 626.333.3661
Fax Line: 626.333.2955

Rev 3/8/2019

Specifications subject to change without notice.



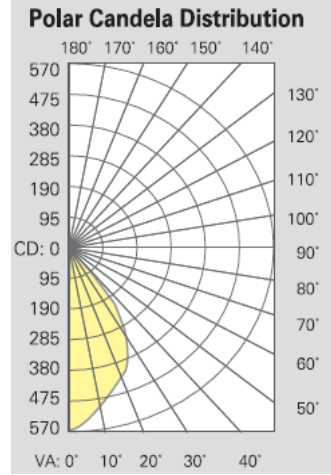
RLR-6012

6" LED RETROFIT MODULE
LED RECESSED DOWNLIGHTS

Type	
Project	
Catalog No.	

PHOTOMETRIC INFORMATION

4000K / 80 CRI



	Center Beam FC	Beam Width
2.0ft	147.2 fc	3.1 ft
4.0ft	36.8 fc	6.1 ft
6.0ft	16.3 fc	9.2 ft
8.0ft	9.2 fc	12.3 ft
10.0ft	5.9 fc	15.3 ft
12.0ft	4.1 fc	18.4 ft

Beam Spread: 74.9°

COMPATIBLE JESCO LINE VOLTAGE HOUSINGS

MODEL	DESCRIPTION	
RS6000B RS6000BA RS6000BIC RS6000ICA RS6000ICS	6" Line Voltage New Construction	
RS6000R RS6000RA RS6000RIC RS6000RICA RS6000RSR	6" Line Voltage Remodel	

OTHER COMPATIBLE LINE VOLTAGE HOUSINGS

- HALO** H7ICAT, H7RICAT, H7ICT, H7RICT, H7ICATNB, H7ICTNB, H7T, H7RT, H7TNB, H7TCP, H7UICAT, H7UICAT, H27ICAT, H27RICAT, H27ICT, H27RICT, H27T, H27RT
- ALL-PRO** EI700AT, EI700RAT, E700ATNB, EI700, EI700R, EI700ATNB, EI700NB, ET700, ET700R, EI700U, EI700UAT, E2700AT, EI2700, EI2700R, ET2700, ET2700R
- JUNO** IC22, IC22R, IC22W, IC22S, IC23, IC23W, IC21, IC21R, TC2, TC2R, IC20, IC20R, TC20, TC20R
- CAPRI** CR1, PR1, QL1, R9ASIC
- LITHONIA** L7X, L7XP
- THOMAS** PS1, R9ASIC/PS9RM
- PRESCOLITE** IBXS

COMPATIBLE DIMMERS



www.jescolighting.com
support@jescolighting.com
Tech Support: 855.592.0029

15 Harbor Park Drive
Port Washington, NY 11050
Main Line: 800.527.7796
Fax Line: 855.265-5768

219 South 6th Ave
City of Industry, CA 91746
Main Line: 626.333.3661
Fax Line: 626.333.2955

Rev
3/8/2019

Specifications subject to change without notice.



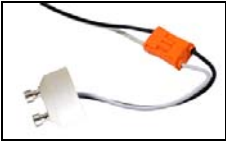
RLR-6012

6" LED RETROFIT MODULE
LED RECESSED DOWNLIGHTS

Type	
Project	
Catalog No.	

MANUFACTURER	STYLE	MODEL NUMBER	TYPE
Lutron	Diva	DVCL-153P	(CFL/LED)
	Diva	DVELV-303P	(Electronic Low Voltage)
	Diva	DVLV-600P	(Magnetic Low Voltage)
	Maestro	MACL-153M	(CFL/LED)
	Maestro	MFR2-6DN-120	(Spec Grade)
	Skylark	SELV-300P	(Electronic Low Voltage)
	Skylark	S-600	(Incandescent)
Leviton	Skylark Contour	CTCL-153P	(CFL/LED)
	Acenti	Ate06-1LW	(Electronic Low Voltage)
Cooper	Trimatron	705	(Incandescent)
	Devine	D106P	(Incandescent/Magnet/Low Voltage)
Pass & Seymour	Harmony		(Incandescent 600W)

ACCESSORIES



AC-GU24/CONN
Optional GU24 Socket Adaptor

6" REFLECTOR WITH TRIM (Sold separately)



Ordering Information

MODEL - **REFLECTOR & TRIM FINISH**

RLT-R6101 -

HZWH - Haze with White Trim
WHWH - White with White Trim

6" STEP BAFFLE WITH TRIM (Sold separately)



Ordering Information

MODEL - **BAFFLE & TRIM FINISH**

RLT-R6102 -

BKWH - Black with White Trim
WHWH - White with White Trim