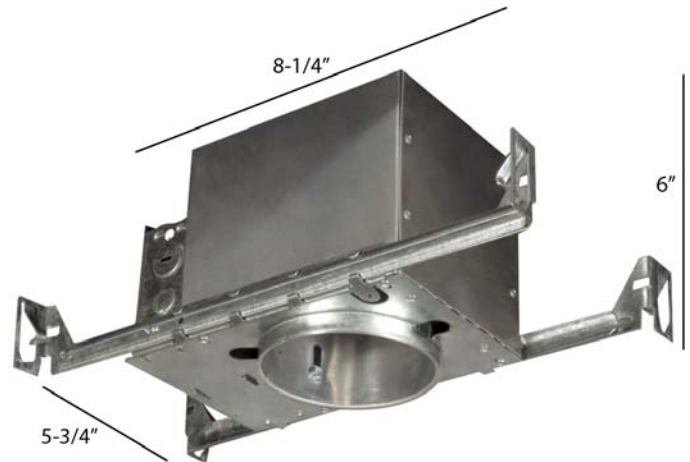




RS2000ICA

RECESSED LIGHTING
4" APERTURE LINE VOLTAGE HOUSINGS

Type	
Project	
Catalog No.	




DESCRIPTION

Designed for new construction applications, this 4" downlight is ideal for accent and task lighting. The housing adjusts for ceiling thickness of 1/2" up to 1 1/4" and the hanger bars can extend up to 24" allowing for extra distance between joists. It can be installed in either a damp or dry location. It can be in direct contact with ceiling insulation. The luminaire accepts a 50W 120VAC E26 PAR16/20 lamp, a wide assortment of trims is available and sold separately.

FEATURES

- Galvanized steel housing
- 4" line voltage new construction IC, Airtight universal housing
- Thermal protector protects against overheating from improper lamping or insulation.
- Fits up to 1-1/4" ceiling thickness
- Hanger bars adjustable from 14-1/4" up to 24".
- Adjustable socket plate assures proper placement of different lamps.
- Ceramic socket with aluminum heat shield for 120V PAR16/20 with E26 base.
- ETL listed for damp locations

SPECIFICATIONS

Model	RS2000ICA
Input Voltage	120 VAC
Wattage Max	50 W
Dimming	With line voltage incandescent dimmer
Dimensions (without hanger bars)	8-1/4" L x 5-3/4" W x 6" H
Cut-Out	4-3/8" Ø
Environment	Indoor, Damp
Certifications	
Warranty	5 Years – see published warranty terms for detailed information.

ORDERING INFORMATION

MODEL

RS2000ICA