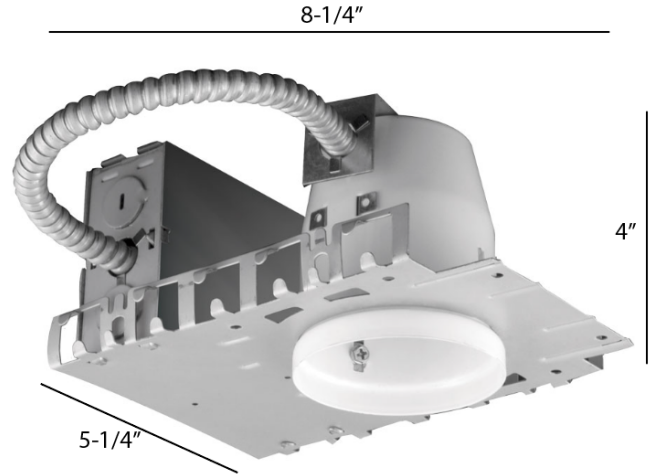
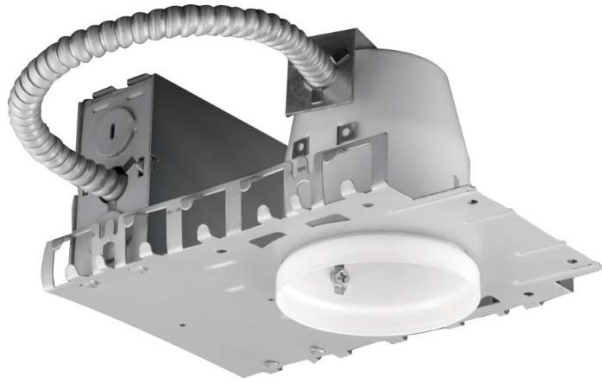




RS3001B

RECESSED LIGHTING
3" APERTURE LINE VOLTAGE HOUSINGS

Type	
Project	
Catalog No.	




DESCRIPTION

Designed for new construction applications, this 3" downlight is ideal for accent and task lighting. The housing adjusts for ceiling thickness of 1/2" up to 1 1/4" and the hanger bars can extend up to 24" allowing for extra distance between joists. It can be installed in either a damp or dry location but requires at least 3" clearance from ceiling insulation. The luminaire accepts a 50W 120VAC GU10 MR16 lamp, a wide assortment of trims is available and sold separately.

FEATURES

- Galvanized steel housing
- 3" line voltage new construction Non-IC, Non-Airtight universal housing
- Thermal protector protects against overheating from improper lamping or insulation.
- Fits up to 1-1/4" ceiling thickness
- Hanger bars adjustable from 14-1/4" up to 24", score lines allow for toolless shortening
- Ceramic socket with aluminum heat shield for 120V MR16 with GU10 base.
- ETL listed for damp locations

SPECIFICATIONS

Model	RS3001B
Input Voltage	120 VAC
Wattage Max	50 W
Dimming	With line voltage incandescent dimmer
Dimensions (without bar hangers)	8-1/4" L x 5-1/4" W x 4" H
Cut-Out	3-5/16" Ø
Environment	Indoor, Damp
Certifications	
Warranty	5 Years – see published warranty terms for detailed information.

ORDERING INFORMATION

MODEL
RS3001B