



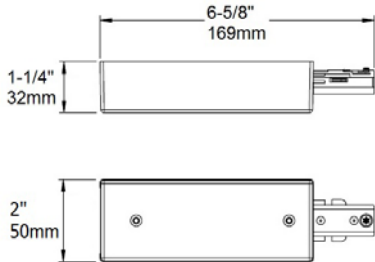
H1CLx-T24

H1 TRACK CURRENT LIMITING FEEDS
TITLE 24 COMPLIANT

Type	
Project	
Catalog No.	

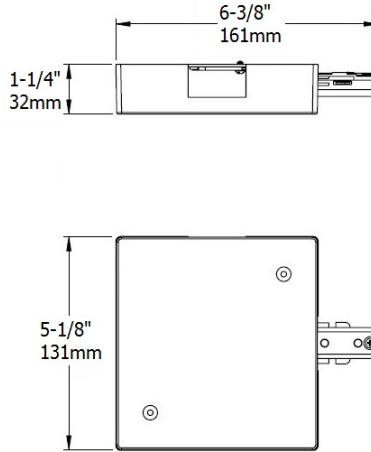
MINI END FEED (H1CLM-T24)

ships with 12" track section



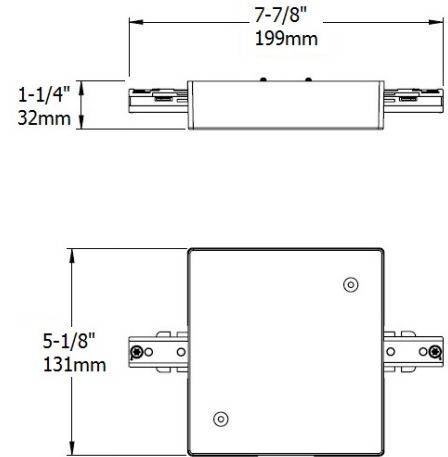
END FEED (H1CLE-T24)

ships with 12" track section



IN-LINE FEED (H1CLI-T24)

ships with 12" track section



DESCRIPTION

JESCO Current Limiting Feeds is an integrated solution for complying with today's stringent energy codes such as California Title 24. Designed to be installed at every track system feed point, the built-in circuit breaker limit available power to the circuit.

CONSTRUCTION

- Galvanized steel mounting plate.
- Accepts 3/8" or 1/2" electrical fittings.
- Injection molded polycarbonate cover.
- Tamper resistant screws secures cover.
- Resettable rocker switch.
- 12" track section secured by tamper resistant screw.

ELECTRICAL

Input 120VAC 50/60Hz

LABELS

cULus Listed
Approved by the California Energy Commission to meet the requirements of Title 24

WARRANTY

18 months

ORDERING INFORMATION

HOUSING TYPE	CIRCUIT BREAKER RATING	FINISH
H1CLM-T24	0060 – 60W, 0.5A	BK – Black
Current Limiting	0120 – 120W, 1A	WT – White
Mini End Feed	0240 – 240W, 2A	
Title 24	0360 – 360W, 3A	
Compliant	0480 – 480W, 4A	
	0600 – 600W, 5A	
	1200 – 1200W, 10A	

H1CLM-T24		-
-----------	--	---

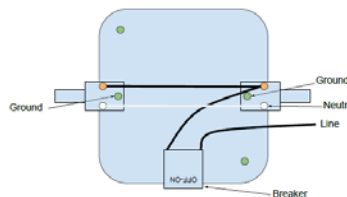
HOUSING TYPE	CIRCUIT BREAKER RATING #1	CIRCUIT BREAKER RATING #2	FINISH
H1CLI-T24	0060 – 60W, 0.5A	0060 – 60W, 0.5A	BK – Black
Current Limiting	0120 – 120W, 1A	0120 – 120W, 1A	WT – White
In-Line Feed	0240 – 240W, 2A	0240 – 240W, 2A	
Title 24	0360 – 360W, 3A	0360 – 360W, 3A	
Compliant	0480 – 480W, 4A	0480 – 480W, 4A	
	0600 – 600W, 5A	0600 – 600W, 5A	
	1200 – 1200W, 10A	1200 – 1200W, 10A	
	0000 – -none-		

H1CLI-T24			-
-----------	--	--	---

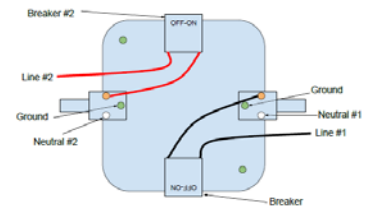
Note: When specifying dual breaker, please list the lower rating first.

HOUSING TYPE	CIRCUIT BREAKER RATING	FINISH
H1CLE-T24	0060 – 60W, 0.5A	BK – Black
Current Limiting	0120 – 120W, 1A	WT – White
End Feed	0240 – 240W, 2A	
Title 24	0360 – 360W, 3A	
Compliant	0480 – 480W, 4A	
	0600 – 600W, 5A	
	1200 – 1200W, 10A	

H1CLE-T24		-
-----------	--	---



Example A – (1) 1200W circuit
H1CLI-T24 1200 0000 -xx



Example B – 120W + 480W
H1CLI-T24 0120 0480 -xx



www.jescolighting.com
support@jescolighting.com
Tech Support: 855.592.0029

15 Harbor Park Drive
Port Washington, NY 11050
Main Line: 800.527.7796
Fax Line: 855.265.5768

219 South 6th Ave
City of Industry, CA 91746
Main Line: 855.654.0110
Fax Line: 626.333.2955

Specifications subject to change without notice.

4/18/2016

Page 1